

# Parts Manual

## Generator Set

with PowerCommand<sup>®</sup> 1.1 Control

C10 D6 (Spec A)

C15 D6 (Spec A)

C20 D6 (Spec A)

C25 D6 (Spec A)

C30 D6 (Spec A)

C35 D6 (Spec A)

C40 D6 (Spec A)

C50 D6 (Spec A)

C60 D6 (Spec A)



# Table of Contents

<b>Description</b>	<b>Page</b>
Safety Precautions .....	2
About This Manual .....	3
Quick Serve Online (QSOL) .....	4
Related Literature .....	4
Model Identification .....	5
Abbreviations .....	6
Labels .....	8
Consumables .....	12
Paint and Thread Sealant .....	12
Engine .....	14
D1703 Engine Service Parts .....	26
V2203 Engine Service Parts .....	72
Heat Shield .....	116
Air Cleaner .....	120
Coolant Heater – USA .....	124
Coolant Heater – Canada .....	126
Cooling System .....	138
Generator – Complete .....	151
Generator Service Parts (CA115) .....	158
Generator Service Parts (CA125) .....	160
Generator Service Parts (CA135) .....	162
Generator Heater .....	164
Terminal Box .....	166
Skid .....	172
Fuel Tank .....	176
Battery Tray .....	180
Enclosure .....	192
Silencer .....	226
Control Box .....	233
Circuit Breaker .....	242
Battery Charger .....	249
Current Transformer .....	250
Accessories and Kits .....	254
Muffler .....	254
Stand Alone Battery Charger (15A – 12V) .....	256
Battery .....	257
Battery Heater .....	258
Generator Heater Kit .....	262

## Safety Precautions

The following symbols are used in Cummins manuals to alert users to the potentially dangerous conditions relating to maintenance of equipment and replacement of parts. Please read and observe.



*This symbol warns of immediate hazards which will result in severe personal injury or death.*



*This symbol refers to a hazard or unsafe practice which can result in severe personal injury or death.*



*This symbol refers to a hazard or unsafe practice which can result in severe personal injury or product or property damage.*

## Product Safety Precautions

Before operating the generator set, read the manuals and become familiar with them and the equipment. Safe and efficient operation can be achieved only if the equipment is properly operated and maintained. Many accidents are caused by failure to follow fundamental rules and precautions.



**Note:**

**It is in the Operator's interest to read and understand all Health and Safety information together with all Warnings and Cautions contained within the documentation relevant to the generator set, its operation and daily maintenance.**



**Improper operation and maintenance can lead to severe personal injury or loss of life and property by fire, electrocution, mechanical breakdown or exhaust gas asphyxiation. Read and follow all safety precautions in the health and safety manual 0908–0110.**



**Service and repair of Cummins equipment must be performed by trained, experienced personnel only. Improper service, repair or replacement of parts may result in damage to equipment & property, severe personal injury or death. Do not use this catalog as a guide to servicing your equipment. Read and follow the IMPORTANT SAFETY INSTRUCTIONS in the Service Manual appropriate for the equipment you are working on.**



**Contact with USED ENGINE OILS has been identified by a United States federal agency and some USA state agencies as causing CANCER or REPRODUCTIVE TOXICITY. When checking or changing engine oils take all necessary precautions not to ingest, breathe the fumes or contact the used oil.**



**Contact with ASBESTOS has been identified by a United States federal agency and some USA state agencies as causing CANCER or REPRODUCTIVE TOXICITY. When handling engine gaskets take all necessary precautions not to ingest, breathe or contact the dust from the gaskets! Use adequate ventilation and wear protective gloves, masks and clothing!**



**Contact with BENZINE and LEAD, found in gasoline, fuel additives and solvents has been identified by a United States federal agency and some USA state agencies as causing CANCER or REPRODUCTIVE TOXICITY. When checking, draining or adding gasoline and fuel additives or using solvents take all necessary precautions not to ingest, breathe the fumes or contact the liquids. Use adequate ventilation and wear protective gloves, masks and protective clothing!**



## About This Manual

This manual applies to the generator models C10 D6 – C60 D6. Parts illustrations are arranged in groups relating to their position and function on the generator set. Each part illustrated is identified by a reference number corresponding to the list of part numbers in the accompanying table.

Engine and alternator parts that have been modified or added by Cummins are identified in this manual. Contact your nearest authorized distributor for assistance in ordering replacement parts. All other replacement parts must be ordered from the engine/alternator manufacturer by referring to the item nameplate and supplying all available information.

Cummins Generator Model	Engine Model
C10 D6	D1703
C15 D6	D1703
C20 D6	V2203
C25 D6	4BT3.3-G5
C30 D6	4BT3.3-G5
C35 D6	4BT3.3-G5
C40 D6	4BT3.3-G5
C50 D6	4BT3.3-G7
C60 D6	4BT3.3-G7

**Generator Set Data Table**

Model	Electrical Data				Battery Voltage
	Watts	Hertz	Wire	Phase	
C10 D6	10,000	60	3, 4	1, 3	12VDC
C15 D6	15,000	60	3, 4	1, 3	12VDC
C20 D6	20,000	60	3, 4	1, 3	12VDC
C25 D6	25,000	60	3, 4	1, 3	12VDC
C30 D6	30,000	60	3, 4	1, 3	12VDC
C35 D6	35,000	60	3, 4	1, 3	12VDC
C40 D6	40,000	60	3, 4	1, 3	12VDC
C50 D6	50,000	60	3, 4	1, 3	12VDC
C60 D6	60,000	60	3, 4	1, 3	12VDC

## Quick Serve Online (QSOL)

Documentation and operator manuals pertaining to the generator set are available on QuickServe Online.

QuickServe Online: <https://quickserve.cummins.com/info/index.html>

The information contained within this manual is based on information available at the time of going to print. In line with Cummins policy of continuous development and improvement, information may change at any time without notice. Make sure that the documentation is the latest information available. Contact your authorized distributor for assistance.

## Related Literature

The related literature that is appropriate to your generator set includes:

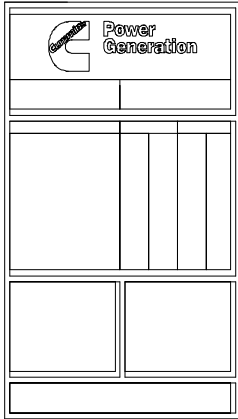
- Installation Manual, BT3.3 (A047W865)
- Installation Manual, Kubota (A049J580)
- Operator Manual, BT3.3 (A047W873)
- Operator Manual, Kubota (A049J586)
- Service Manual, BT3.3 (A047W877)
- Service Manual, Kubota (A049J589)
- Standard Repair Times (SRT) Manual, BT3.3 (A049J592)
- Standard Repair Times (SRT) Manual, Kubota (A049M410)
- Engine Parts Manual, 4BT3.3–G5 (A049Y673)
- Engine Parts Manual, 4BT3.3–G7 (A054A174)

If further information is required, contact your authorized distributor.

## Model Identification

This manual covers generator set models produced under the Cummins brand name.

To avoid errors or delay in filling your parts order, always state the MODEL and SERIAL NUMBER from the Cummins nameplate.



The engine serial number is located on a data tag on the engine.

**For reference document your generator set information in the spaces below.**

Generator Set Model Number: \_\_\_\_\_

Generator Set Serial Number: \_\_\_\_\_

Engine Serial Number: \_\_\_\_\_

Digital Control Software: \_\_\_\_\_

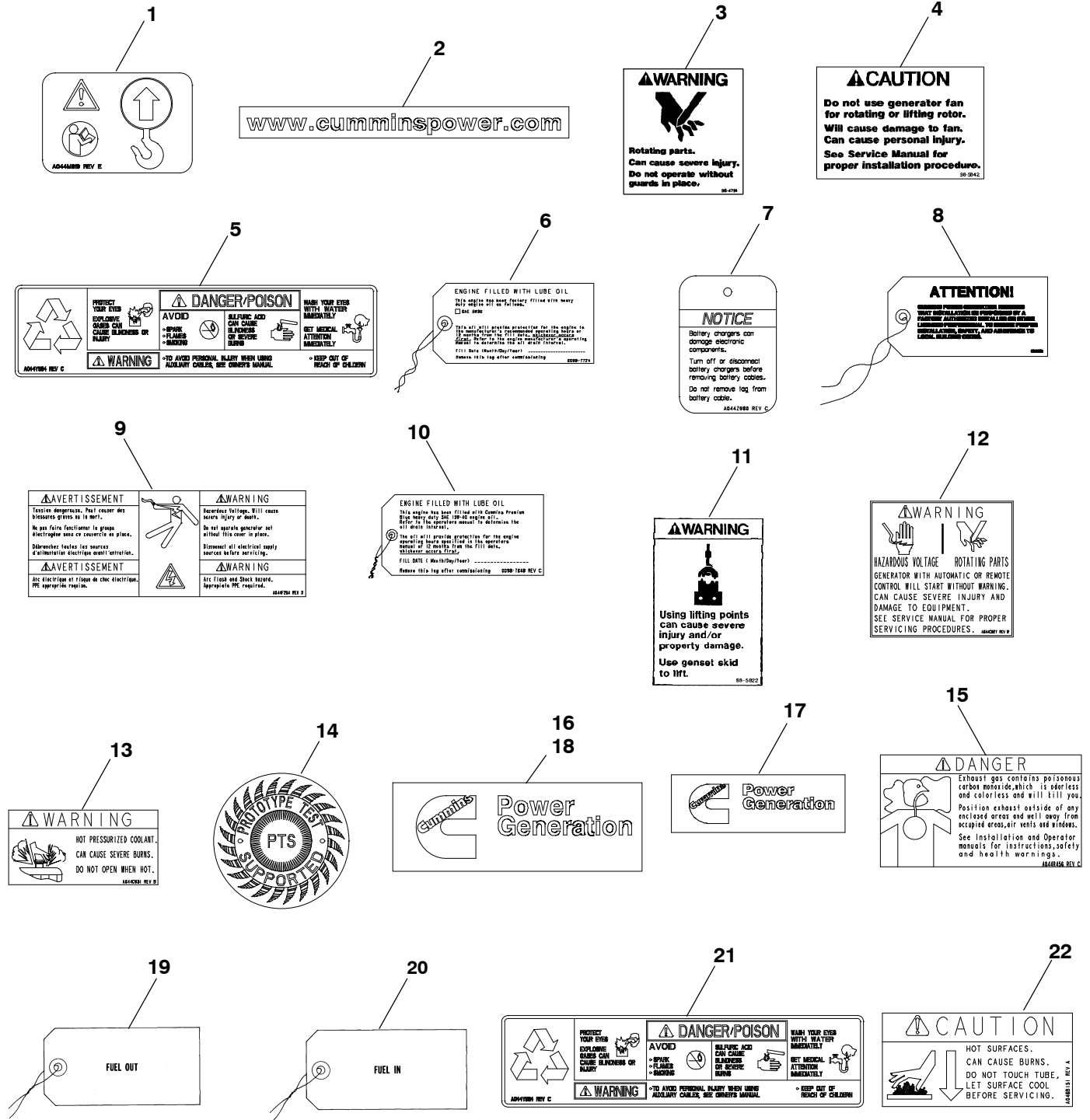
## Abbreviations

Some of the following abbreviations may be used throughout this Parts Manual:

AC	Alternating Current	LED	Light-Emitting Diode
ACB	Air Circuit Breaker	LTP	Limited Time Power Rating
ACH	Anti-Condensations Heaters	LTA	Low Temperature Aftercooling
ATS	Automatic Transfer Switch	LV	Low Voltage
Amp	Ampere	M	Meter
A/R	As Required	MCB	Miniature Circuit Breaker
AVR	Automatic Voltage Regulator	MCCB	Moulded Case Circuit Breaker
AWG	American Wire Gauge	MF	Mains Failed
BHP	Brake Horsepower	MFSS	Master First Start Sensor
BMS	Building Measurement System	mm	Millimeter
BST	Busbar Sensing Transformer	MOH	Mobile Off Highway
CAN	Controlled Area Network	MR	Mains Returned
CB	Circuit Breaker	MST	Mains Sensing Transformer
CCA	Cold Cranking Amps	MSU	Mains Sensing Unit
CHP	Combined Heat and Power	MV	Medium Voltage
COP	Continuous Power Rating	NEC	Neutral Earthing Contact
CT	Current Transformer	NFS	Not For Sale
		NPT	National Pipe Thread
dB(A)	Unit of noise level	OD	Outside Diameter
DC	Direct Current	oz.	Ounce
Deg	Degree	PC	PowerCommand
DIP	Dual In-line Package	PC	Printed Circuit
DMC	Digital Master Control	PF	Power Factor
DMSU	Demand Load Standby Unit	Ph	Phase
ECM	Engine Control Module	PFC	Power Factor Controller
EFC	Electronic Fuel Control	PLC	Programmable Logic Controller
EIT	External/Internal Tooth	PMG	Permanent Magnet Generator
EMCU	Engine Monitoring and Control Unit	PPR	Prime Power Rating
EMF	Electromotive Force	PSU	Power Supply Unit
EPROM	Erasable Programmable Read Only Memory	PT/CT	Potential Transformer/Current Transformer
EPU	Engine Protection Unit	PTC	Power Transfer Control
ET	External Tooth	QCC	Quadrature Current Control
FAE	Full Authority Engine	RFI	Radio Frequency Interference
FSS	First Start Sensor	RMS	Root Mean Square
GCP	Generator Control Panel	RPM	Revolutions Per Minute
GFI	Ground Fault Interrupter	RT	Right
GKWT	Global Kilowatt Transducer	RTD	Resistance Temperature Detector
HMI	Human/Machine Interface	Spec	Specification
HV	High Voltage	Thk	Thick
IC	Integrated Circuit	UL	Underwriters Laboratories Inc.
ID	Inside Diameter	UNC	Union National Coarse
IEC	International Electrotechnical Commission	UNF	Union National Fine
I/O	Input / Output	V	Volts
IT	Internal Tooth	VAC	Volts, Alternating Current
kVA	Apparent Power	VCB	Vacuum Circuit Breaker
kVAR	Reactive Power	VDC	Volts, Direct Current
kW	Active / Real Power (Kilowatt)	VF	Volt-free
kWh	Unit of electrical energy or work	VT	Voltage Transformer
LPG	Liquid Petroleum Gas	W/(ET, IT, EIT)	With
LT	Left		

This page is Intentionally blank.

Labels



**Labels**

<b>Item</b>	<b>Part No.</b>	<b>Description</b>	<b>Qty</b>
1	A044M619	Label, Information	4
2	A043M499	Label, Marking	2
3	0098-4798-01	Label, Warning (USA only)	2
4	0098-5842	Label, Caution (USA only)	1
5	A044Y564	Label, Warning	1
6	0098-7047	Tag, Water Fill (USA only)	1
7	A044Z980	Tag, Battery (USA only)	1
8	0098-7863	Tag, Attention (USA only)	1
9	A044F254	Label, Warning	1
10	0098-7724	Tag, Oil Fill (USA only)	1
11	0098-5822	Label, Warning (USA only)	1
12	A044C927	Label, Warning (USA only)	2
13	A044C931	Label, Warning (USA only)	1
14	A044M633	Label, Information	1
15	A044R456	Label, Danger (USA only)	1
16	A044C288	Label, Logo (Black Lettering)	2
17	A044C989	Label (White Lettering)	1
18	A045J574	Label, Logo (White Lettering)	2
19	0098-3171	Tag, Fuel Line	1
20	0098-3172	Tag, Fuel Line	1
21	A044Y564	Label, Warning	1
22	A046B151	Label, Caution (USA only)	1
23	0878-0032	Laminate, Label Cover (Not Shown)	1
24	A047K152	Laminate, Label Cover (Not Shown)	1

## Labels (Illustration #2)

**1**

**▲ WARNING**  
Rotating parts.  
Can cause severe injury.  
Do not operate without guards in place.  
**▲ AVERTISSEMENT**  
Pièces rotatives.  
Peut causer des blessures graves.  
Ne mettez en marche que lorsque les protections sont en place.

**2**

**▲ WARNING**  
Do not use lifting points.  
Can cause severe injury and/or property damage.  
**▲ AVERTISSEMENT**  
Le générateur s'il est levé.  
L'utilisation de points de levage peut provoquer des blessures graves et/ou des dommages matériels.  
Pour lever, utiliser les points de grappe désignés.

**3**

**▲ CAUTION**  
Do not use generator for far rotating or lifting rotor.  
Will cause damage to fan. Can cause personal injury.  
See service manual for proper installation procedure.  
**▲ PRUDENCE**  
Ne pas utiliser le ventilateur de générateur pour faire tourner ou pour lever le rotor.  
Provoquera des dommages aux ventilateurs.  
Peut provoquer des blessures.  
Voir le manuel d'utilisation pour obtenir la procédure d'installation appropriée.

**4**

**ATTENTION: BATTERIE CHAUDE DE L'ALIMENTATION**  
Ce moteur a été conçu pour fonctionner avec un système de démarrage par batterie. Les filtres de l'air de refroidissement de la batterie doivent être remplis avec l'huile de refroidissement de la batterie. Consultez les instructions de remplissage de l'huile de refroidissement de la batterie. Ne pas utiliser d'autres produits de remplissage de la batterie.  
Ne pas retirer les diques des câbles de batterie.  
Ne pas retirer les diques après le mise en service.

**5**

**MOTEUR REPLENI CHAUDE DE L'ALIMENTATION**  
Ce moteur a été conçu pour fonctionner avec un système de démarrage par batterie. Les filtres de l'air de refroidissement de la batterie doivent être remplis avec l'huile de refroidissement de la batterie. Consultez les instructions de remplissage de l'huile de refroidissement de la batterie. Ne pas utiliser d'autres produits de remplissage de la batterie.  
Ne pas retirer les diques des câbles de batterie.  
Ne pas retirer les diques après le mise en service.

**6**

**AVIS**  
Cummins Power Generation exige que cette installation soit mise en œuvre par un installateur homologué qui s'inscrit ou tout autre professionnel agréé, afin d'assurer une installation appropriée, la sécurité et le respect des codes de construction locaux.

**7**

**▲ AVERTISSEMENT**  
Le générateur avec commande automatique ou à distance débranchera sans avertissement.  
Peut causer des blessures graves et des dommages aux équipements.  
Voir le manuel pour les procédures d'entretien appropriées.

**8**

**▲ WARNING**  
Generator will automatic or remote control will start without warning.  
Can cause severe injury and damage to equipment.  
See service manual for proper service procedures.

**9**

**▲ WARNING**  
Hot pressurized coolant.  
Can cause severe burns.  
Do not open when hot.

**10**

**▲ CAUTION**  
Hot surfaces.  
Can cause burns.  
Let surfaces cool before servicing.

**11**

**▲ DANGER**  
Les chargeurs de batterie peuvent endommager les composants électroniques.  
Désactiver ou débrancher les chargeurs de batterie avant de retirer les câbles de batterie.  
Ne pas retirer les diquettes des câbles de batterie.

**12**

**▲ CAUTION**  
Hot surfaces.  
Can cause burns.  
Do not touch labels, let surface cool before servicing.  
**▲ PRUDENCE**  
Surfaces chaudes.  
Risques de brûlures.  
Ne pas toucher le label: laissez les surfaces refroidir avant l'entretien.

**13**

**▲ CAUTION**  
Hot surfaces.  
Can cause burns.  
Do not touch labels, let surface cool before servicing.  
**▲ PRUDENCE**  
Surfaces chaudes.  
Risques de brûlures.  
Ne pas toucher le label: laissez les surfaces refroidir avant l'entretien.

**14**

**▲ DANGER/POISON**  
ÉVITER - ÉVITER L'ACIDE SULFURIQUE POUR PROTEGER LA SÛRETÉ DE VOS BLESSURES - ÉVITER L'ACIDE SULFURIQUE POUR PROTEGER LA SÛRETÉ DE VOS BLESSURES - ÉVITER L'ACIDE SULFURIQUE POUR PROTEGER LA SÛRETÉ DE VOS BLESSURES - ÉVITER L'ACIDE SULFURIQUE POUR PROTEGER LA SÛRETÉ DE VOS BLESSURES

**15**

**Sortie de l'alimentation de carburant**

**16**

**Entrée de l'alimentation de carburant**



**Labels (Illustration #2)**

<b>Item</b>	<b>Part No.</b>	<b>Description</b>	<b>Qty</b>
1	A048G927	Label, Warning (Canada only)	2
2	A048G929	Label, Warning (Canada only)	1
3	A048G925	Label, Caution (Canada only)	1
4	A048G937	Tag, Water Fill (Canada only)	1
5	A048G933	Tag, Oil Fill (Canada only)	1
6	A048G935	Tag, Attention (Canada only)	1
7	A048G912	Label, Warning (Canada only)	2
8	A048G915	Label, Warning (Canada only)	2
9	A048G919	Label, Warning (Canada only)	1
10	A048G917	Label, Caution (Canada only)	2
11	A048G923	Label, Danger (Canada only)	1
12	A048G931	Tag, Battery (Canada only)	1
13	A048G949	Label, Caution (Canada only)	1
14	A048G921	Label, Battery Warning (Canada only)	1
15	A048S753	Tag, Fuel (Canada only)	1
16	A048S755	Tag, Fuel (Canada only)	1

## Consumables

The following is a list of consumables associated with the generator models covered in this manual:

Ref. Page No.	Part No.	Description	Qty
121	A045Z959	Element, Air Cleaner (HD) – C10 D6, C15 D6, C20 D6	1
122	0140-4186	Element, Air Cleaner (HD) – C25 D6, C30 D6, C35 D6, C40 D6, C50 D6, C60 D6	1
120	A042Y252	Filter, Air (ND) – C25 D6, C30 D6, C35 D6, C40 D6, C50 D6, C60 D6	1
270	A048V707	Filter, Oil (4BT3.3 G5 Engine)	1
33	A047B760	Filter, Oil (D1703 Engine)	1
79	A047B760	Filter, Oil (V2203 Engine)	1
270	A048V709	Filter, Fuel (4BT3.3 G5 Engine)	1
	0524-0668	Oil, Lubricating – 15W-40 (C10 D6, C15 D6, C25 D6, C30 D6, C35 D6, C40 D6, C50 D6, C60 D6)	1.85 Gal.
	0524-0668	Oil, Lubricating – 15W-40 (C20 D6)	2.51 Gal.

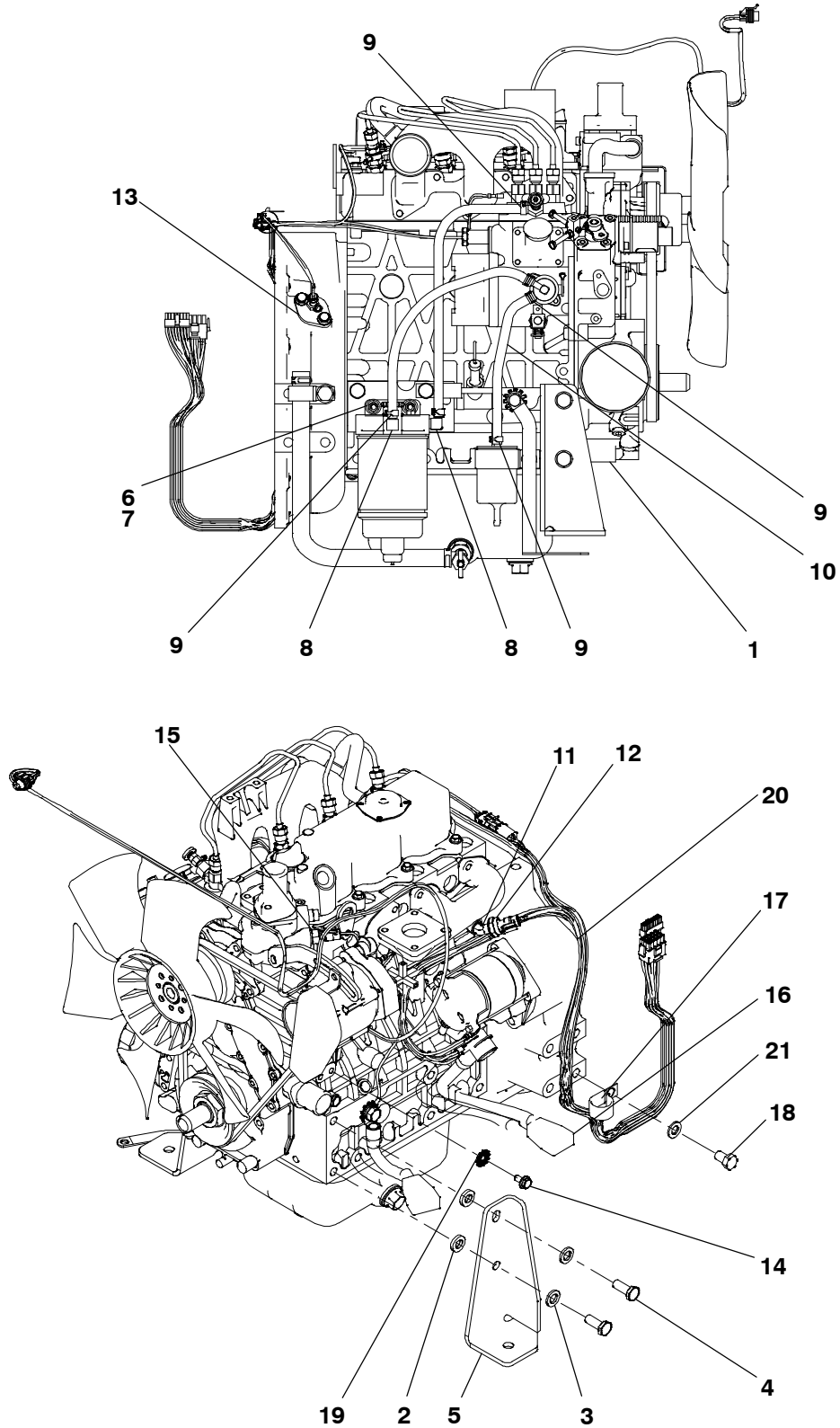
## Paint and Thread Sealant

Item	Part No.	Description	Qty
1	A046L319	Enclosure Paint Touch Up Kit (Green)	n/a
2	A043J735	Enclosure Paint Touch Up Kit (Sandstone)	n/a
3	0518-0601	Sealant, Thread (4ml Tube)	n/a
4	0518-0391	Sealant, Thread (250ml Tube)	n/a

This page is Intentionally blank.

# Engine

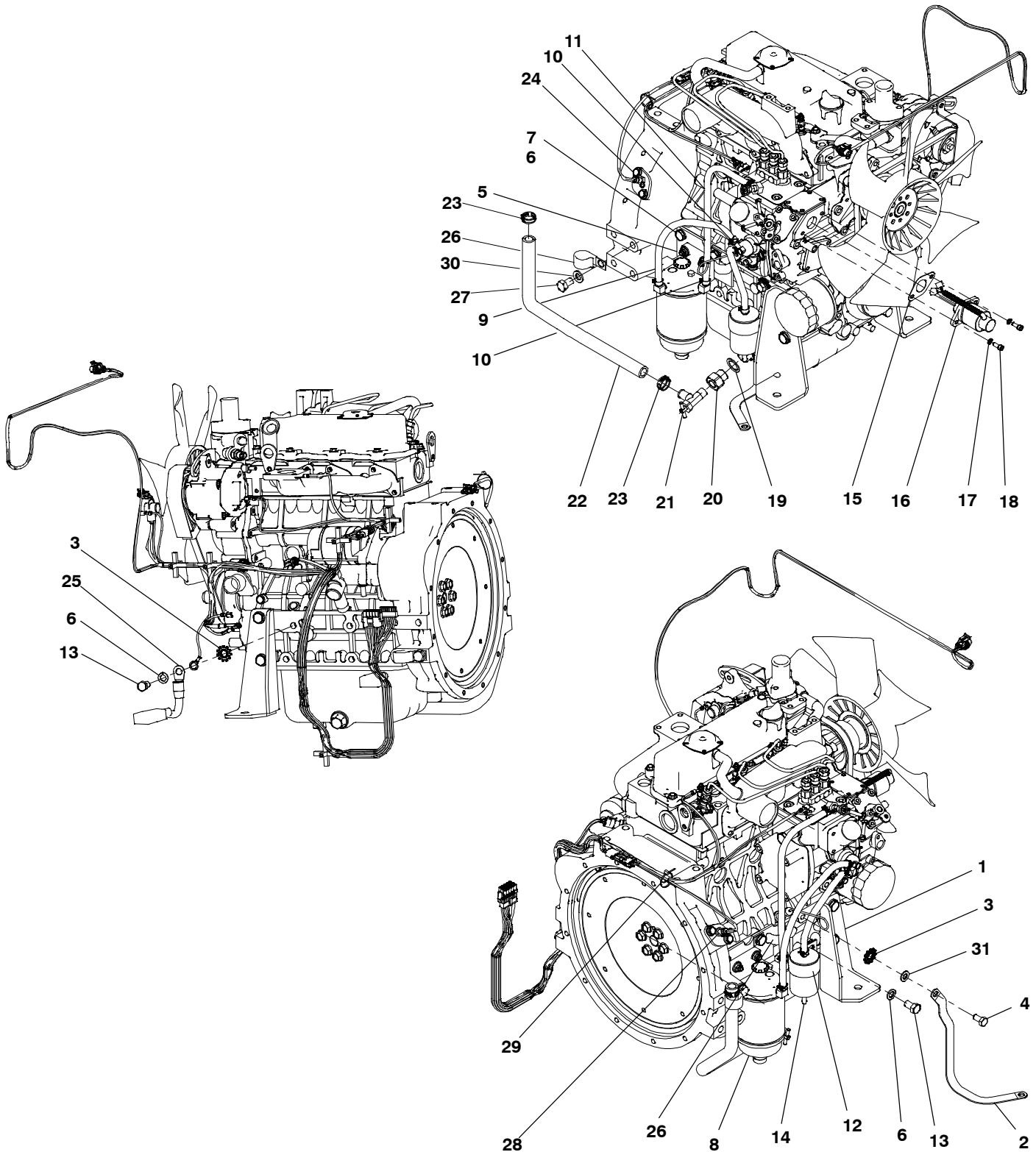
## C10 D6, C15 D6 (Illustration #1)



**Engine – C10 D6, C15 D6 (Illustration #1)**

<b>Item</b>	<b>Part No.</b>	<b>Description</b>	<b>Qty</b>
1	A045E441	Engine, Diesel – Complete	1
2	0526-0145	Washer, Flat	4
3	0526-0399-64	Washer, Flat	4
4	0800-3032	Screw, Hex Head	4
5	A045A450	Support, Engine	1
6	0526-2106	Washer, Flat	2
7	0870-2055	Nut, Flange Lock	2
8	0502-0981	Elbow, 90°	2
9	0503-1445-06	Clamp	6
10	0503-2767-06	Hose, Fuel	1
11	A046W965	Adapter	1
12	A028X493	Sender, Pressure	1
13	A045J264	Adapter, Flange	1
14	0821-2045	Screw, Flange Head Lock	3
15	0193-0529-01	Sensor, Temperature	1
16	A043V133	Lead, Battery	1
17	0332-2921	Clamp, J	3
18	0800-0088	Screw, Hex Head	2
19	0856-0010	Washer, Lock	1
20	A045K953	Harness, Genset	1
21	0526-0433	Washer, Hardened	2

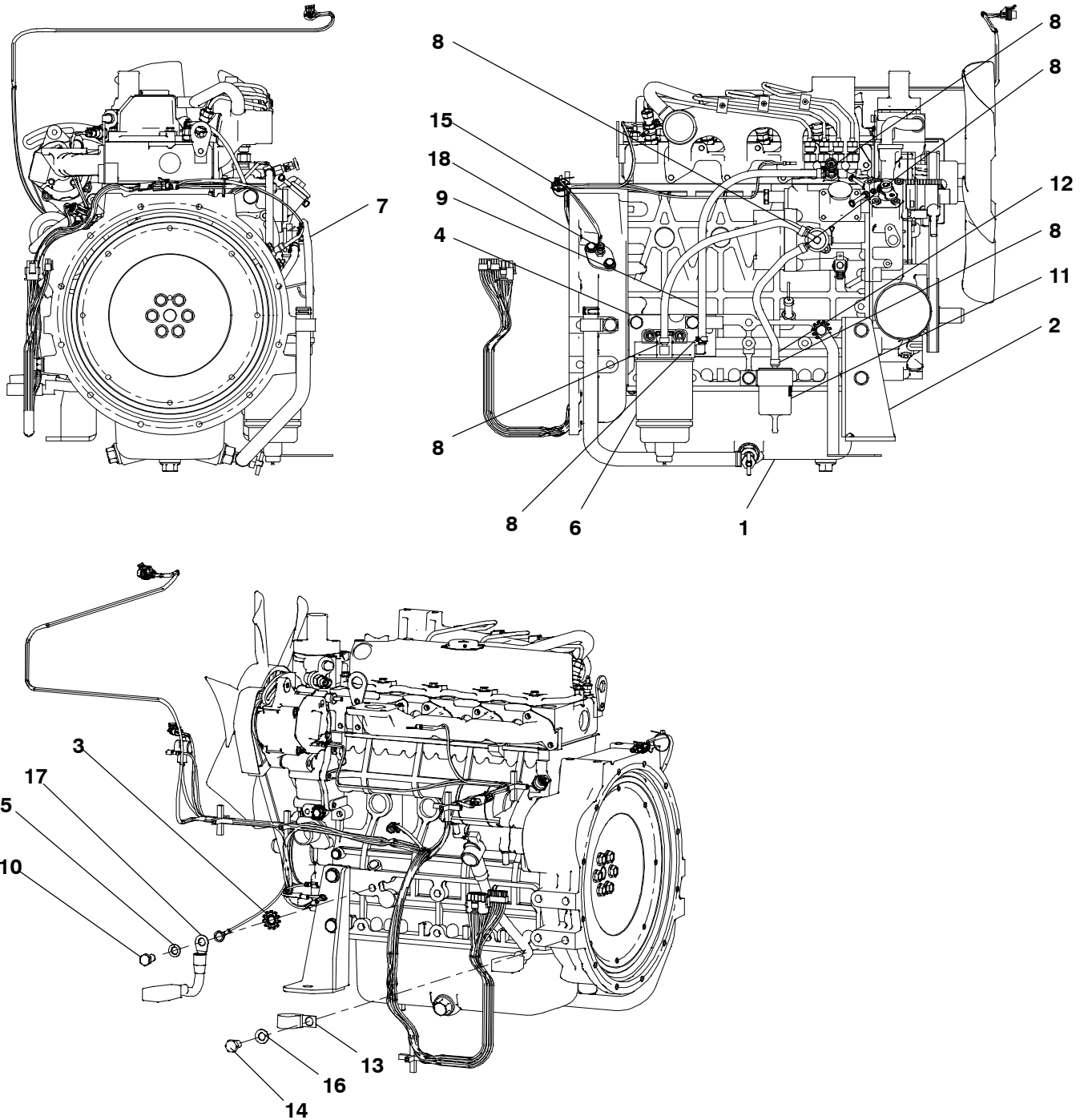
### Engine – C10 D6, C15 D6 (Illustration #2)



### Engine – C10 D6, C15 D6 (Illustration #2)

Item	Part No.	Description	Qty
1	A045A448	Support, Engine	1
2	A042R110	Strap, Electrical	1
3	0856-0013	Washer, Lock	2
4	0800-3030	Screw, Hex Head	1
5	0149-2438	Bracket	1
6	0850-2012	Washer, Lock	4
7	0800-3033	Screw, Hex Head	2
8	0149-1908-09	Separator, Fuel Water	1
9	0503-2767-04	Hose, Fuel	1
10	0503-1445-06	Clamp	6
11	0503-2767-09	Hose, Fuel	1
12	A034E526	Clamp, Hose	1
13	0800-3025	Screw, Hex Head	2
14	0147-0860	Filter, Fuel	1
15	0150-2918	Gasket	1
16	0306-5316-01	Actuator, Governor	1
17	0526-0063	Washer, Flat	2
18	0725-1027	Screw, Socket Head	2
19	0526-0329	Washer	1
20	0102-1448-02	Adapter, Oil Drain	1
21	0504-0176	Valve	1
22	0503-1660-04	Hose, Fuel	1
23	0503-0131	Clamp, Hose	2
24	0821-2045	Screw, Flange Head Lock	3
25	A043V162	Lead, Battery	1
26	0332-2921	Clamp, J	3
27	0800-0088	Screw, Hex Head	2
28	A044J187	Sensor, Magnetic Pickup	1
29	0332-0942	Tie, Cable	1
30	0526-0433	Washer, Hardened	2
31	0526-2120	Washer, Flat	1

### Engine – C20 D6 (Illustration #1)

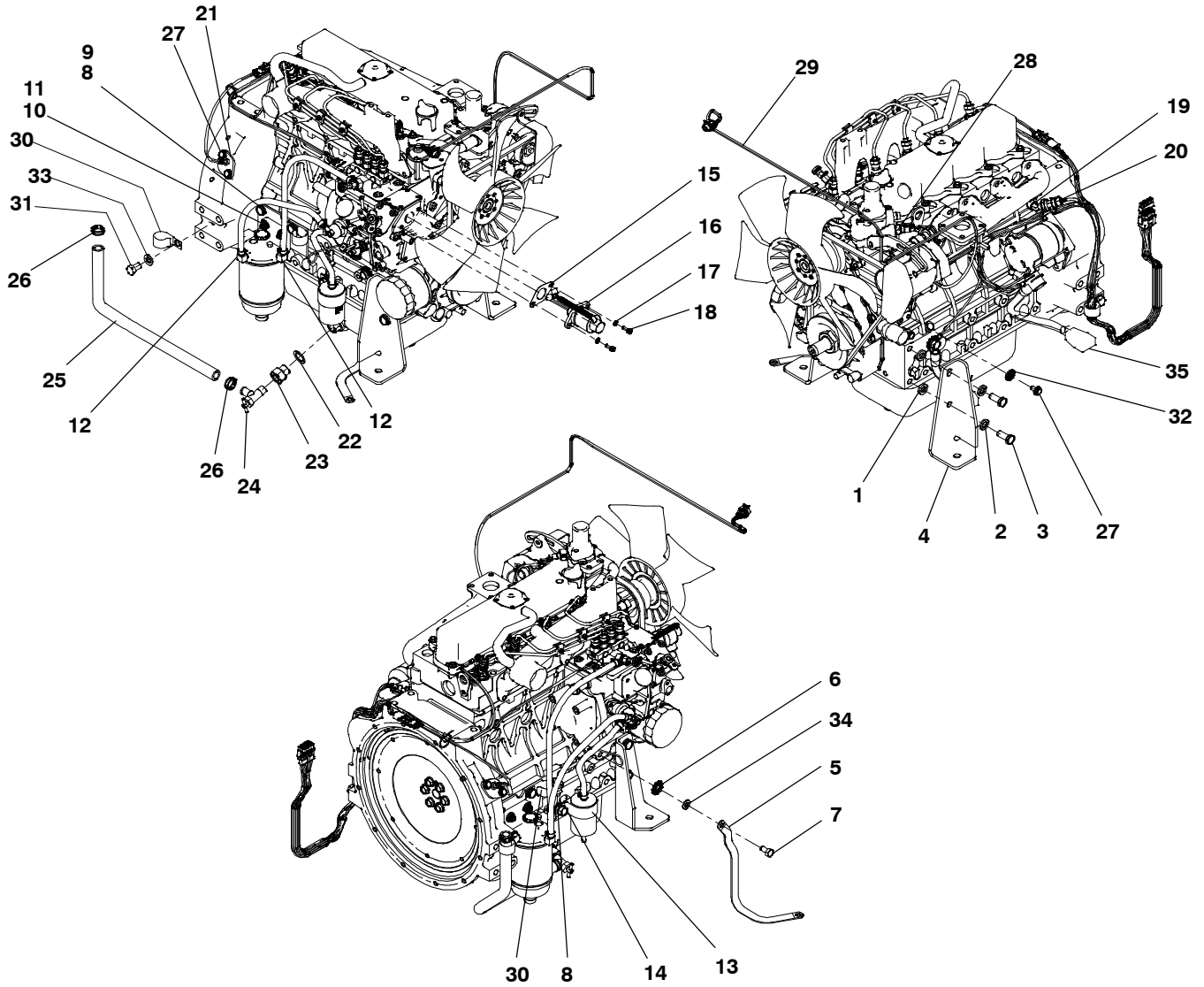




**Engine – C20 D6 (Illustration #1)**

<b>Item</b>	<b>Part No.</b>	<b>Description</b>	<b>Qty</b>
1	A045E441	Engine, Diesel – Complete	1
2	A045A448	Support, Engine	1
3	0856–0013	Washer, Lock	2
4	0149–2438	Bracket	1
5	0850–2012	Washer, Lock	4
6	0149–1908–09	Separator, Fuel Water	1
7	0503–2767–04	Hose, Fuel	1
8	0503–1445–06	Clamp	6
9	0503–2767–09	Hose, Fuel	1
10	0800–3025	Screw, Hex Head	2
11	0147–0860	Filter, Fuel	1
12	0503–2767–06	Hose, Fuel	1
13	0332–2921	Clamp, J	3
14	0800–0088	Screw, Hex Head	2
15	0332–0942	Tie, Cable	1
16	0526–0433	Washer, Hardened	2
17	A043V162	Lead, Battery	1
18	A044J187	Sensor, Magnetic Pickup	1

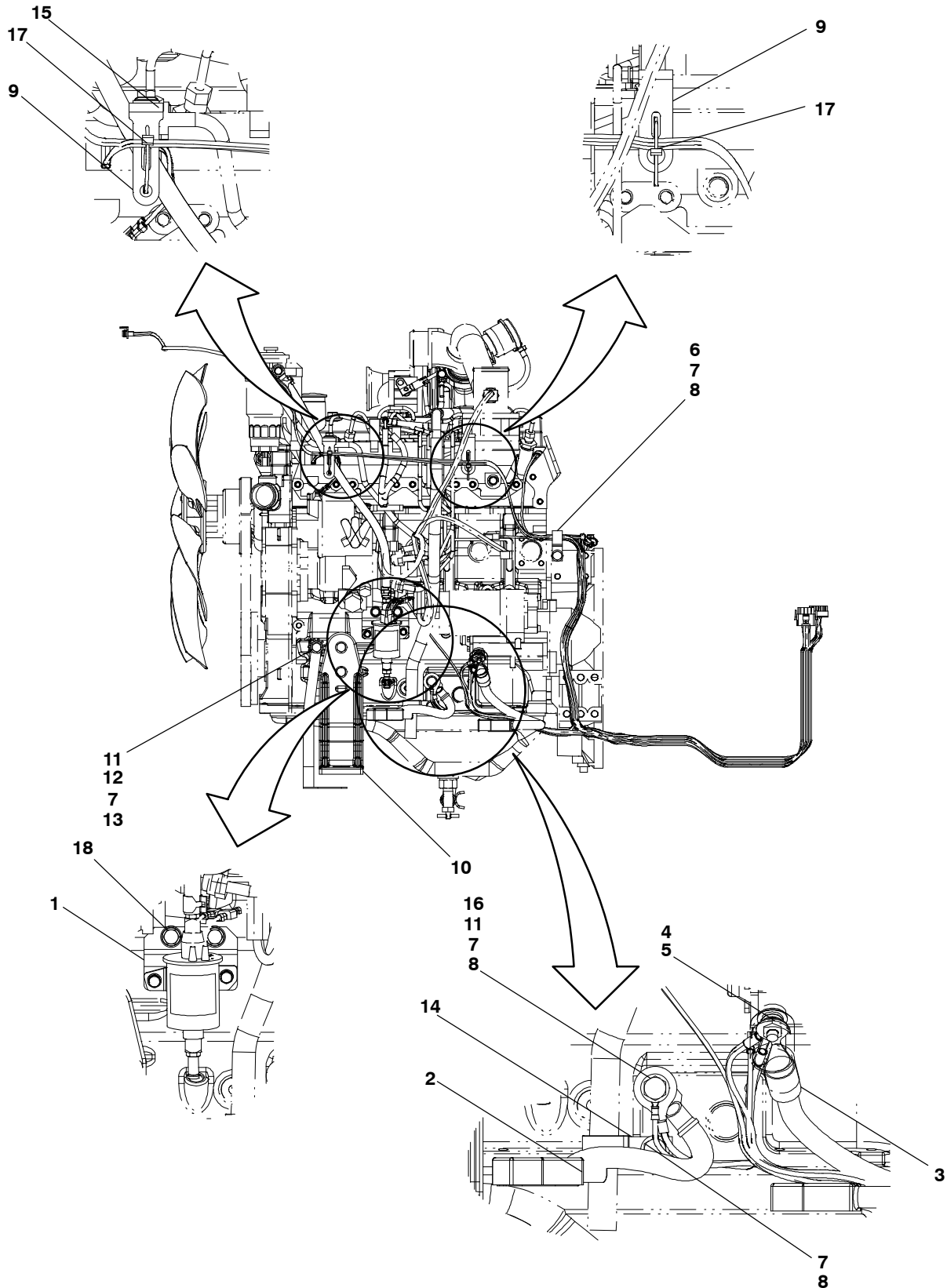
### Engine – C20 D6 (Illustration #2)



## Engine – C20 D6 (Illustration #2)

Item	Part No.	Description	Qty
1	0526-0145	Washer, Flat	4
2	0526-0399-64	Washer, Flat	4
3	0800-3032	Screw, Hex Head	4
4	A045A450	Support, Engine	1
5	A042R110	Strap, Electrical	1
6	0856-0013	Washer, Lock	2
7	0800-3030	Screw, Hex Head	1
8	0850-2012	Washer, Lock	4
9	0800-3033	Screw, Hex Head	2
10	0526-2106	Washer, Flat	2
11	0870-2055	Nut, Flange Lock	2
12	0502-0981	Elbow, 90°	2
13	A034E526	Clamp, Hose	1
14	0800-3025	Screw, Hex Head	2
15	0150-2918	Gasket	1
16	0306-5316-01	Actuator, Governor	1
17	0526-0063	Washer, Flat	2
18	0725-1027	Screw, Socket Head	2
19	A046W965	Adapter	1
20	A028X493	Sender, Pressure	1
21	A045J264	Adapter, Flange	1
22	0526-0329	Washer	1
23	0102-1448-02	Adapter, Oil Drain	1
24	0504-0176	Valve	1
25	0503-1660-04	Hose, Fuel	1
26	0503-0131	Clamp, Hose	2
27	0821-2045	Screw, Flange Head Lock	3
28	0193-0529-01	Sensor, Temperature	1
29	A045K953	Harness, Genset	1
30	0332-2921	Clamp, J	3
31	0800-0088	Screw, Hex Head	2
32	0856-0010	Washer, Lock	1
33	0526-0433	Washer, Hardened	2
34	0526-2120	Washer, Flat	1
35	A043V133	Lead, Battery	1

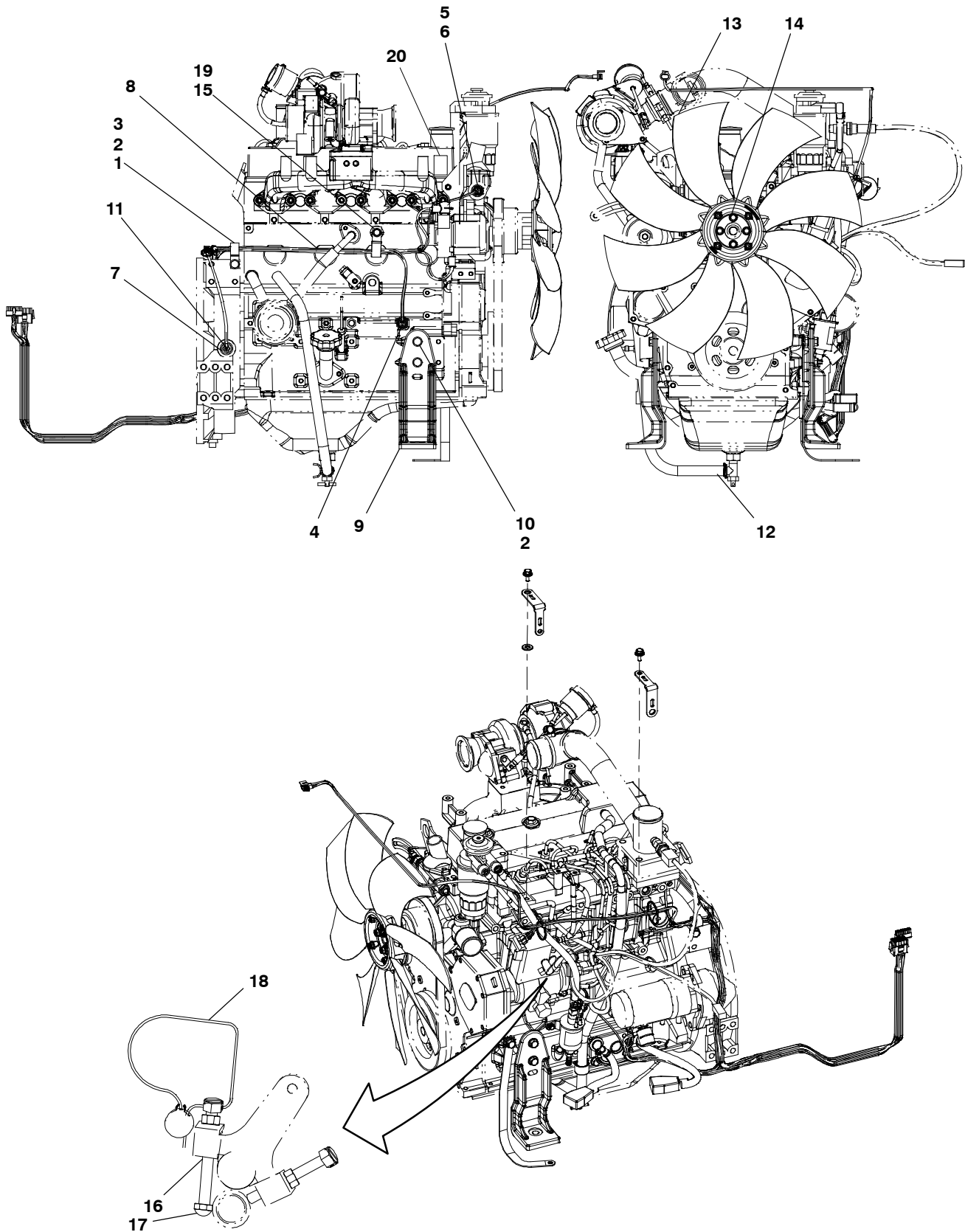
### Engine – C25 D6, C30 D6, C35 D6, C40 D6, C50 D6, C60 D6 (Illustration #1)



**Engine – C25 D6, C30 D6, C35 D6, C40 D6, C50 D6, C60 D6 (Illustration #1)**

<b>Item</b>	<b>Part No.</b>	<b>Description</b>	<b>Qty</b>
1	A048W228	Pump – See Pages 118 for Components)	1
2	A043V162	Lead, Battery	1
3	A043V133	Lead, Battery	1
4	0850–2008	Washer, Lock	1
5	0860–2008	Nut	1
6	0332–2634	Clamp, J	3
7	0526–2120	Washer, Flat	9
8	0800–2085	Screw, Hex Head	4
9	0338–4238–02	Bracket	2
10	A042S971	Support, Engine	2
11	0856–0013	Washer, Lock	2
12	A042R110	Strap, Electrical	1
13	0800–3017–36	Screw, Hex Head	1
14	0332–3196	Clamp, J	1
15	0526–2132	Washer, Flat	1
16	0526–0399–62	Washer, Flat	1
17	0332–0942	Tie, Cable	2
18	0821–6003–01	Screw, Hex Head	3

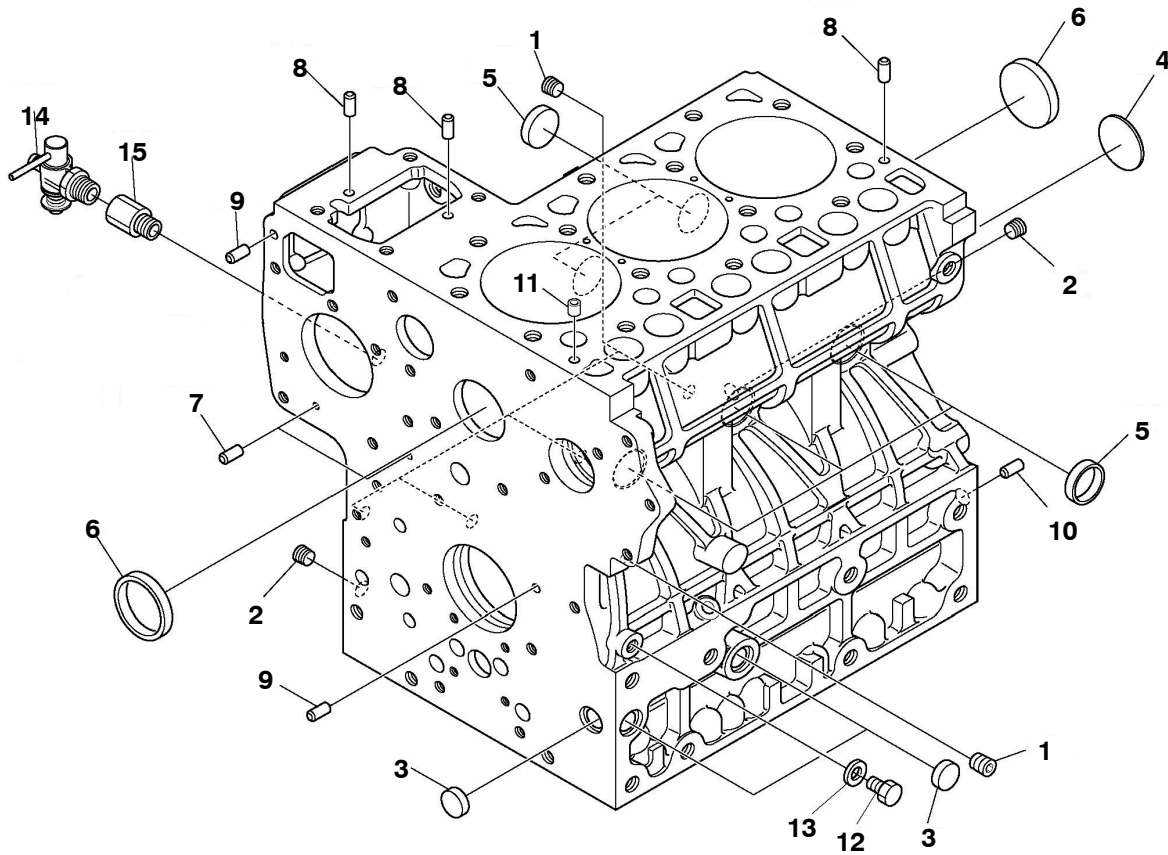
Engine – C25 D6, C30 D6, C35 D6, C40 D6, C50 D6, C60 D6 (Illustration #2)



**Engine – C25 D6, C30 D6, C35 D6, C40 D6, C50 D6, C60 D6 (Illustration #2)**

Item	Part No.	Description	Qty
1	0332-2634	Clamp, J	2
2	0526-2120	Washer, Flat	9
3	0800-2085	Screw, Hex Head	4
4	A028X493	Sender, Pressure	1
5	0505-0019	Bushing, Reducer	1
6	0193-0529-01	Sensor, Temperature	1
7	0502-1400-02	Adapter, Bushing	1
8	A044G337	Harness, Genset	1
9	A042S971	Support, Engine	2
10	0800-2089	Screw, Hex Head	4
11	A044J187	Sensor, Magnetic Pickup	1
12	0179-2883-03	Drain, Oil – (See Pages 119 for Components)	1
13	A045T315	Fan, Radiator	1
14	A045R226	Screw, Hex Flange Head	4
15	0332-3196	Clamp, J	2
16	A047G893	Screw, Hex Head	1
17	0866-0014	Nut, Acorn	1
18	A028U604	Seal, Wire	1
19	0821-6003-01	Screw, Hex Head	3
20	A048G929	Label, Warning	1

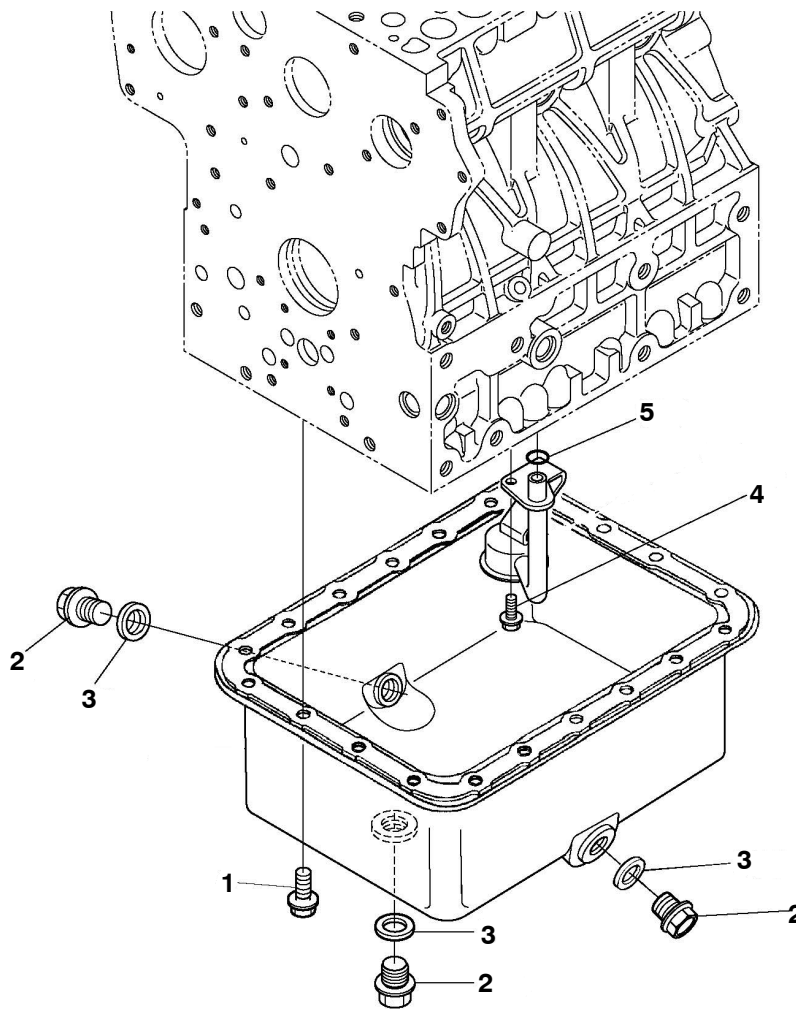
## D1703 Engine Service Parts Crankcase



Item	Part No.	Description	Qty
1	0185-2233	Plug	5
2	0185-2234	Plug	2
3	0185-6121	Plug, Expansion	3
4	0185-6040	Plug, Expansion	1
5	0185-5840	Cap, Sealing	5
6	0185-5841	Cap, Sealing	2
7	0185-5842	Pin, Straight	2
8	0185-2350	Pin, Straight	3
9	0185-5843	Pin, Straight	2
10	0185-5844	Pin, Straight	1
11	0185-2094	Pin, Pipe	1
12	0517-0373	Plug	1
13	0185-2338	Gasket	1
14	0185-5846	Cock, Drain	1
15	0185-5847	Joint, Drain Cock	1

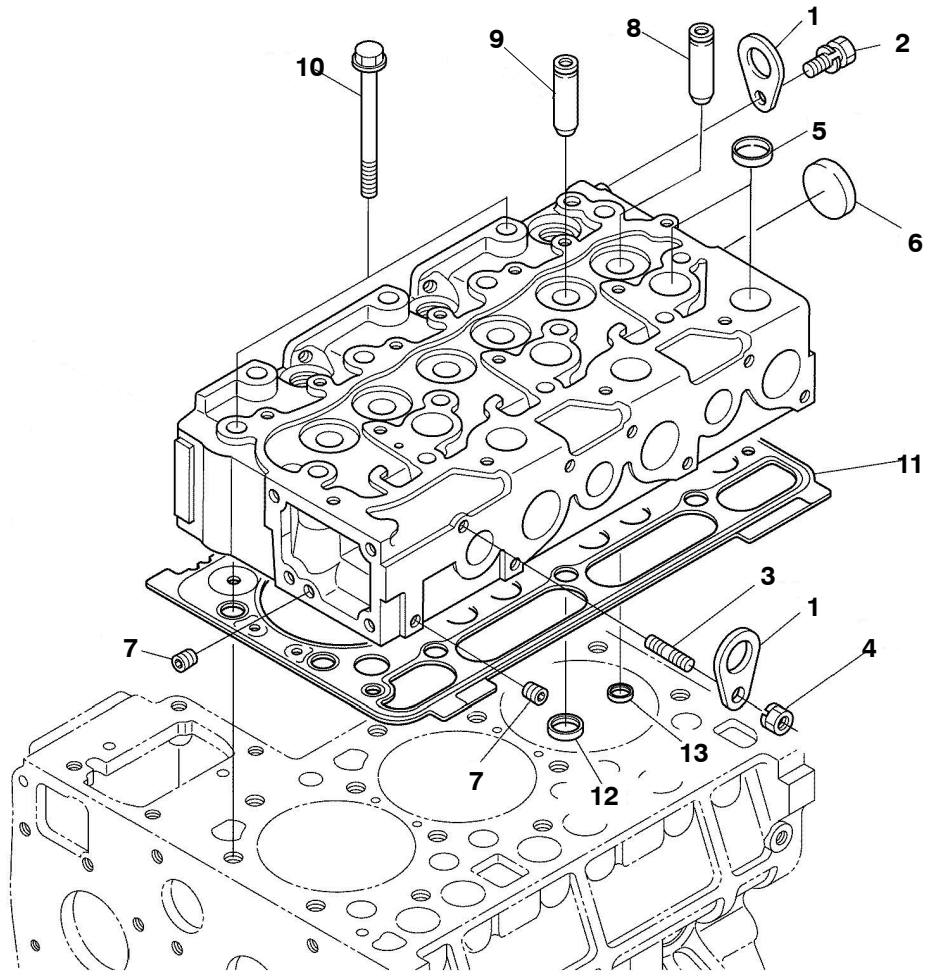


## D1703 Engine Service Parts Oil Pan



Item	Part No.	Description	Qty
1	0800-6340	Bolt, Flange	20
2	0185-6046	Plug (Drain)	3
3	0185-5495	Gasket	3
4	0185-2976	Bolt, Flange	1
5	0509-0411	O-Ring	1

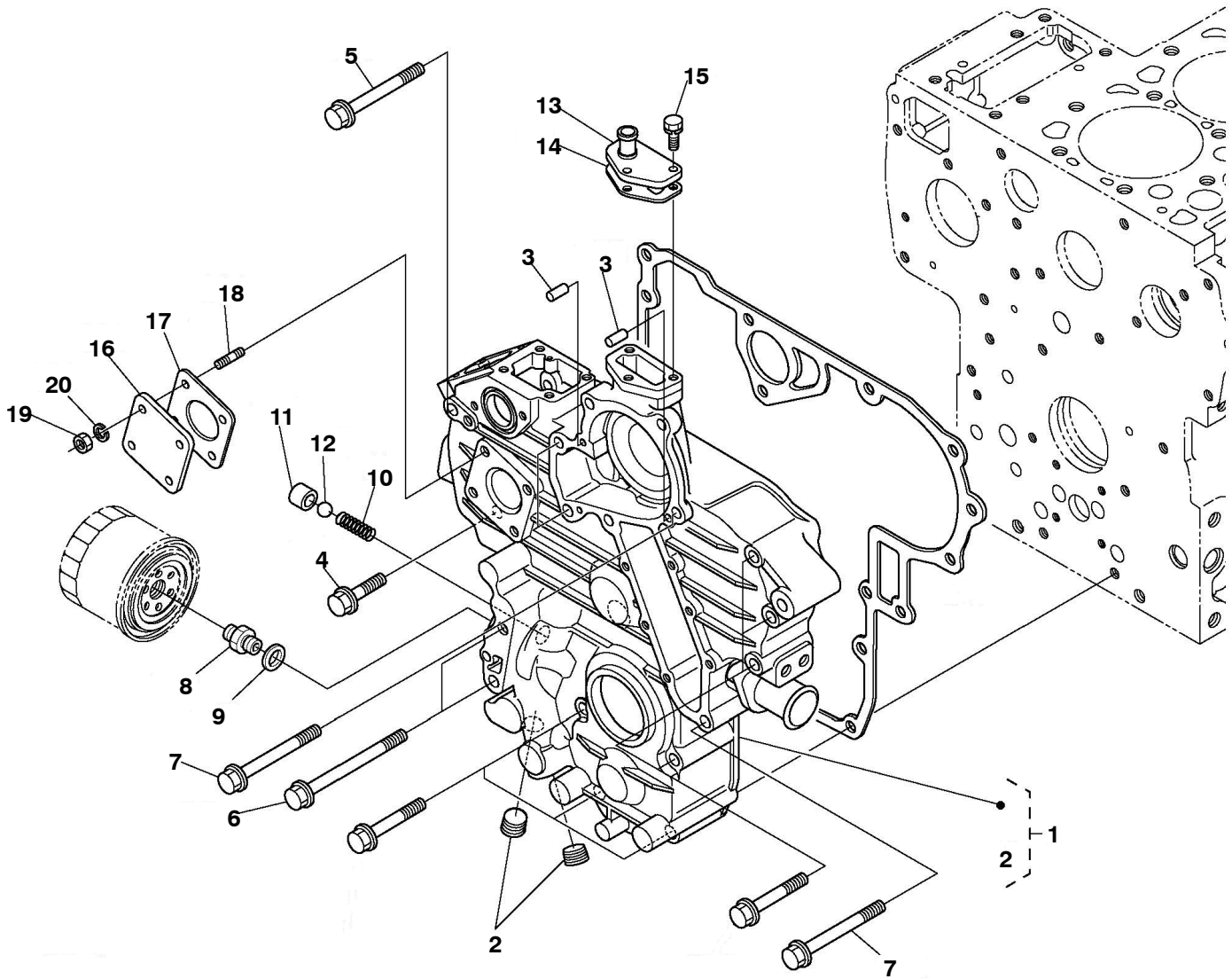
## D1703 Engine Service Parts Cylinder Head



Item	Part No.	Description	Qty
1	0185-2414	Hook (Engine)	2
2	0185-2563	Bolt, SEMS	1
3	0185-6048	Stud	1
4	0860-2136	Nut (With Lock Washer)	1
5	0185-5861	Plug, Cup Type	9
6	0185-2412	Plug, Cup Type	1
7	0185-2188	Plug	2
8	A047B440	Guide, Exhaust Valve	3
9	A047B436	Guide, Valve (Inlet)	3
10	0185-5865	Bolt, Head (Cylinder)	14
11	0110-3952	Gasket, Cylinder Head (1.20mm)	1
12	A047B471	Seat, Valve (Inlet)	3
13	A047B484	Seat (Exhaust Valve)	3

This page is Intentionally blank.

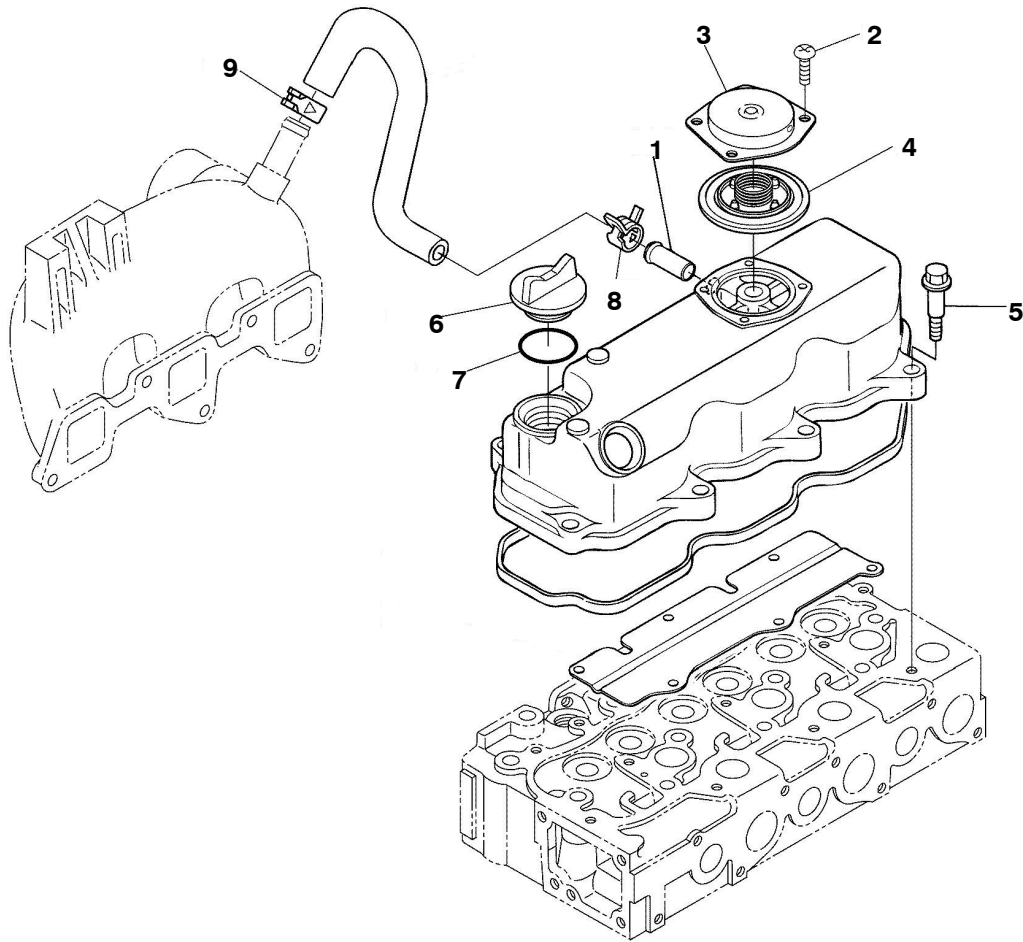
## D1703 Engine Service Parts Gear Case



## Gear Case

Item	Part No.	Description	Qty
1	A042M913	Case, Gear – Complete	1
2	0185-6481	Plug	2
3	0185-5843	Pin, Straight	2
4	0800-6334	Bolt, Flange	1
5	0800-6414	Bolt, Flange	1
6	0815-1598	Bolt, Flange	2
7	0815-1599	Bolt, Flange	4
8	0505-2256	Joint, Pipe	1
9	0509-0415	Collar, Valve Seat	1
10	0185-5877	Spring	1
11	0185-5878	Seat, Valve	1
12	0185-6711	Ball	1
13	0185-5879	Flange (Water Return)	1
14	A047B582	Gasket (Return Flange)	1
15	0185-2390	Bolt, SEMS	3
16	0185-2153	Cover	1
17	0302-2084	Gasket, Hour Meter	1
18	0185-2105	Stud	4
19	0181-9013	Hex, Nut	4
20	0185-2380	Washer, Spring Lock	4

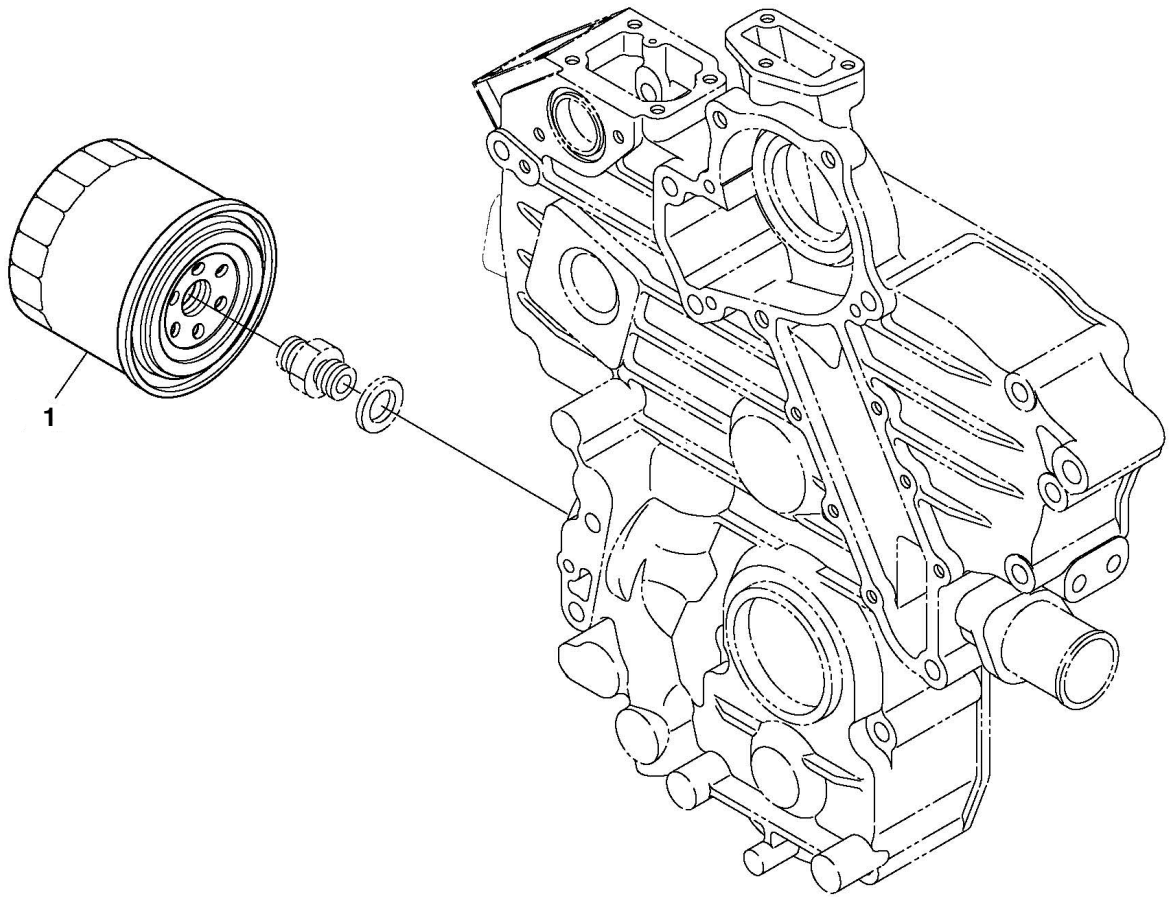
## D1703 Engine Service Parts Head Cover



Item	Part No.	Description	Qty
1	0185-6103	Pipe, Water Return	1
2	0185-3055	Screw, Pan Head	4
3	0181-9238	Cover, Breather	1
4	0181-9241	Comp Valve, Breather	1
5	0800-6330	Bolt	8
6	0185-5407	Plug (Oil Filler)	1
7	0509-0414	O-Ring	1
8	0503-2551	Clamp, Hose	1
9	0185-6722	Clamp, Hose	1

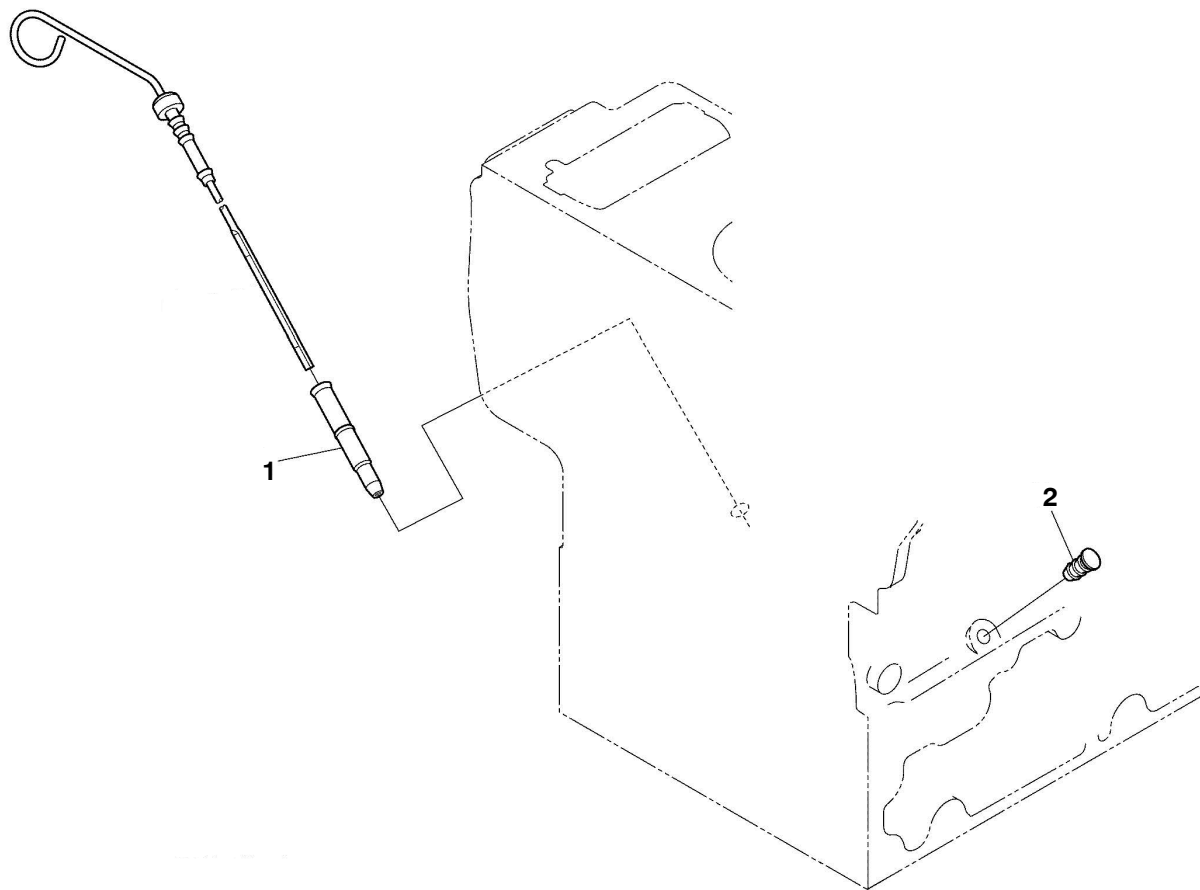
## D1703 Engine Service Parts

### Oil Filter



Item	Part No.	Description	Qty
1	A047B760	Filter, Oil	1

## D1703 Engine Service Parts Dip Stick and Guide

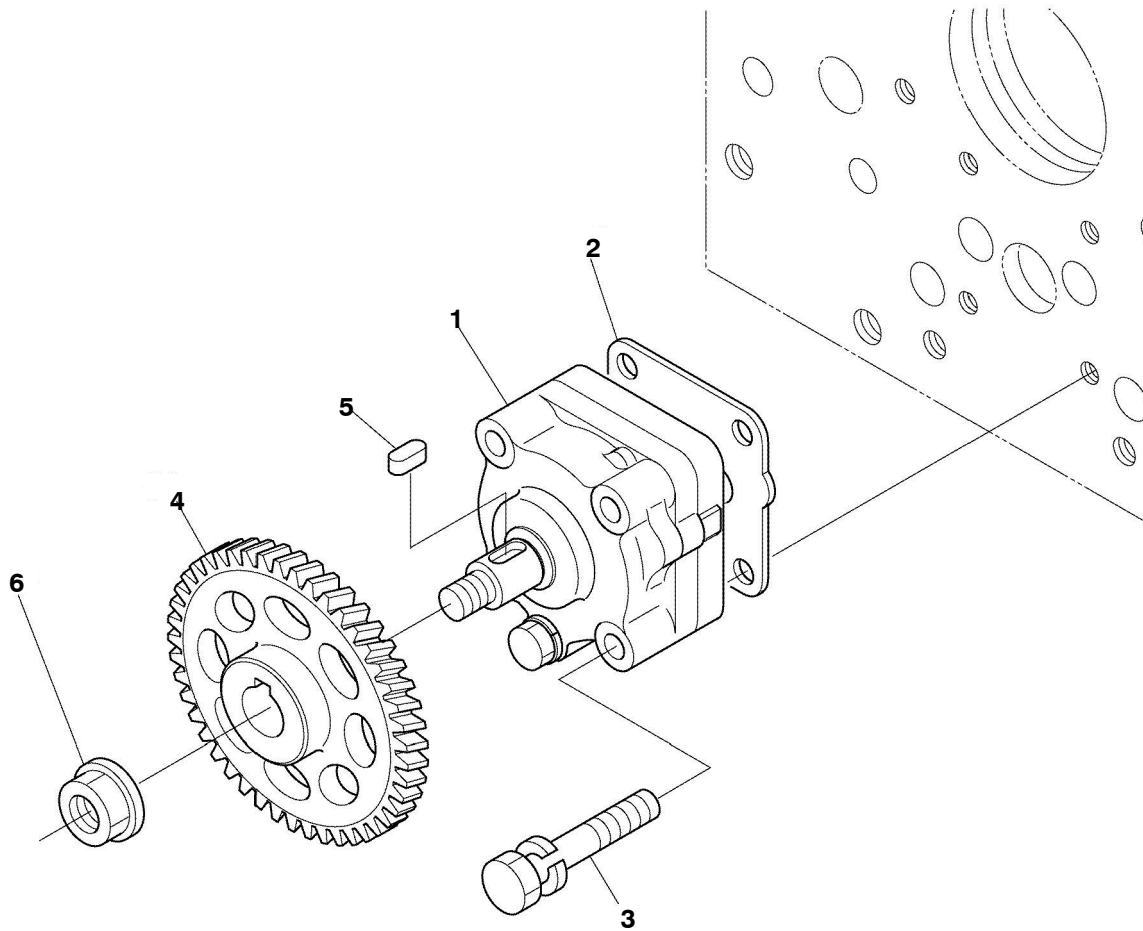


Item	Part No.	Description	Qty
1	0123-2262	Guide (Gauge, Oil)	1
2	0517-0386	Plug (Oil Gauge)	1



## D1703 Engine Service Parts

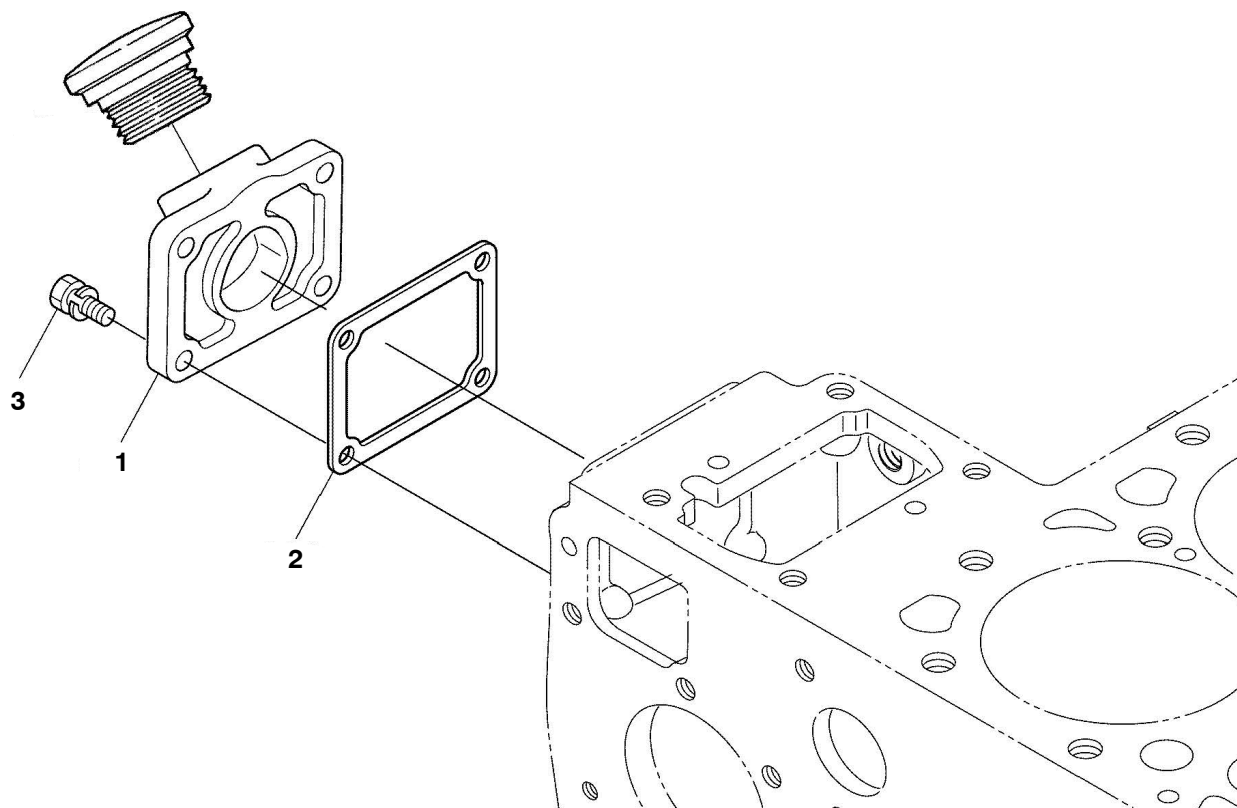
### Oil Pump



Item	Part No.	Description	Qty
1	A047B794	Pump, Oil – Assy.	1
2	0120-1355	Gasket, Oil Pump	1
3	0185-2394	Bolt, SEMS	4
4	A047B821	Gear (Oil Pump Drive)	1
5	0185-2352	Key, Feather	1
6	0185-7031	Nut	1

## D1703 Engine Service Parts

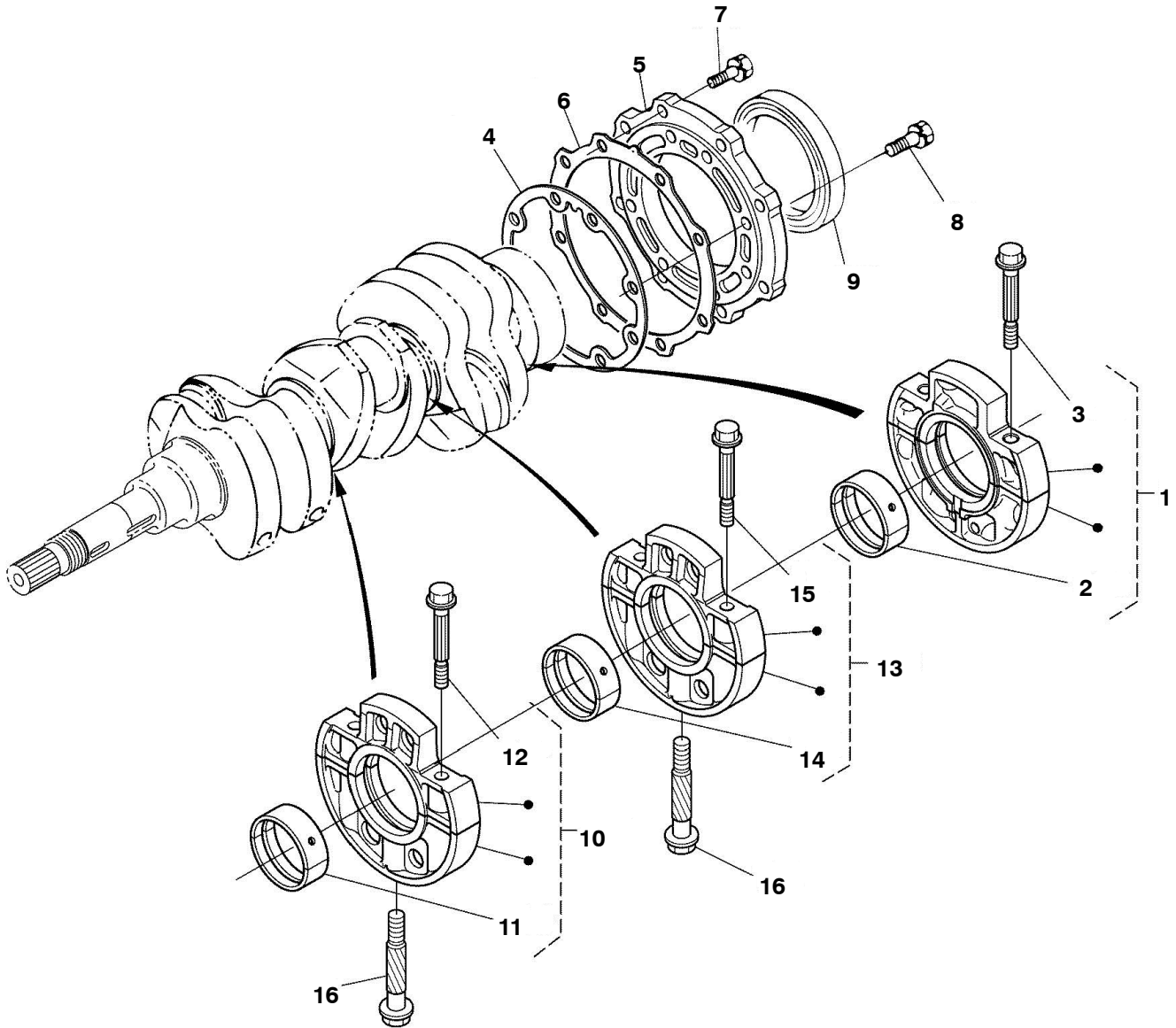
### Oil Filler Flange



Item	Part No.	Description	Qty
1	0123-2429	Flange (Oil Filler)	1
2	0101-0837	Gasket (Pump Cover)	1
3	0185-2389	Bolt, SEMS	4

This page is Intentionally blank.

## D1703 Engine Service Parts Main Bearing Case



## Main Bearing Case

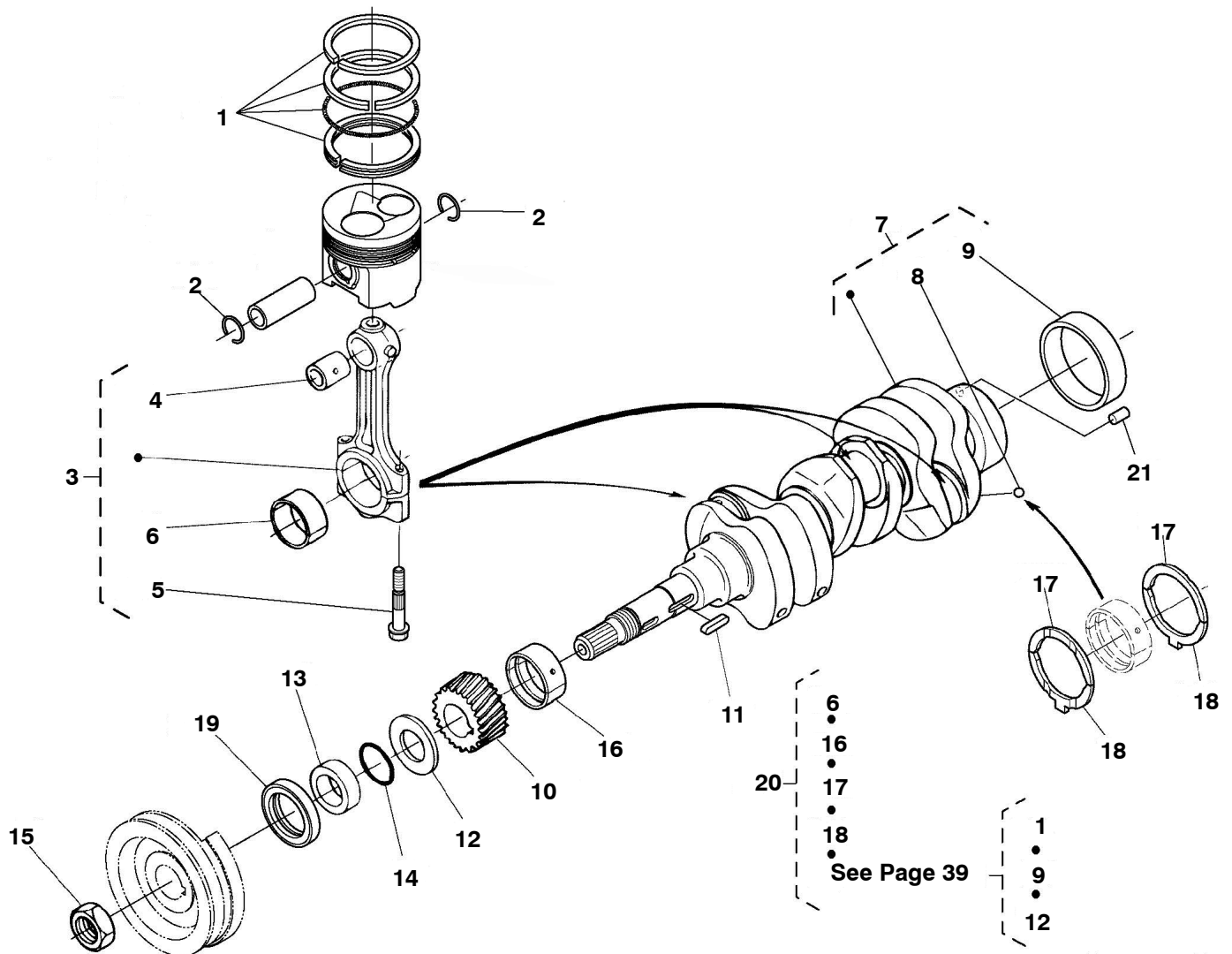
Item	Part No.	Description	Qty
1	A047B841	Brg. Case, Wheel – Assy.	1
2		Metal, Crankshaft	
	A047B843	Std Set	1
	0104–2039	–0.20mm Set	1
	0104–2040	–0.40mm Set	1
3	0800–6329	Bolt, Bearing Case	2
4	0101–0834	Gasket, Bearing Case	1
5	0232–4229	Cover, Bearing Case	1
6	0101–0835	Gasket, Case Cover	1
7	0185–3985	Bolt, SEMS	8
8	0185–2404	Bolt, SEMS	8
9	A047C086	Seal, Oil	1
10	A047C092	Brg. Case, Main – Assy.	1
11		Metal, Crankshaft	
	A047B843	Std Set	1
	0104–2039	–0.20mm Set	1
	0104–2040	–0.40mm Set	1
12	0800–6329	Bolt, Bearing Case	2
13	A047C135	Brg. Case, Main – Assy.	1
14		Metal, Crankshaft	
	A047B843	Std Set	1
	0104–2039	–0.20mm Set	1
	0104–2040	–0.40mm Set	1
15	0800–6329	Bolt, Bearing Case	2
16	0185–5899	Bolt, Bearing Case	2



## Camshaft and Idle Gear Shaft

Item	Part No.	Description	Qty
1	A047C165	Tappet	6
2	0185-5901	Rod, Push	6
3	0185-5924	Ball (1/4)	1
4	0185-5905	Key, Feather	1
5	0185-5906	Stopper (Camshaft)	1
6	A047C191	Bolt, Flange	2
7	A047C194	Gear, Idle – Complete	1
8	A047C196	Bushing (Idle Gear)	1
9	A047C201	Collar (Idle Gear)	1
10	A040P239	Bolt, Flange	2
11	A047C429	Shaft, Idle Gear	1
12	A047C191	Bolt, Flange	3

## D1703 Engine Service Parts Piston and Crankshaft

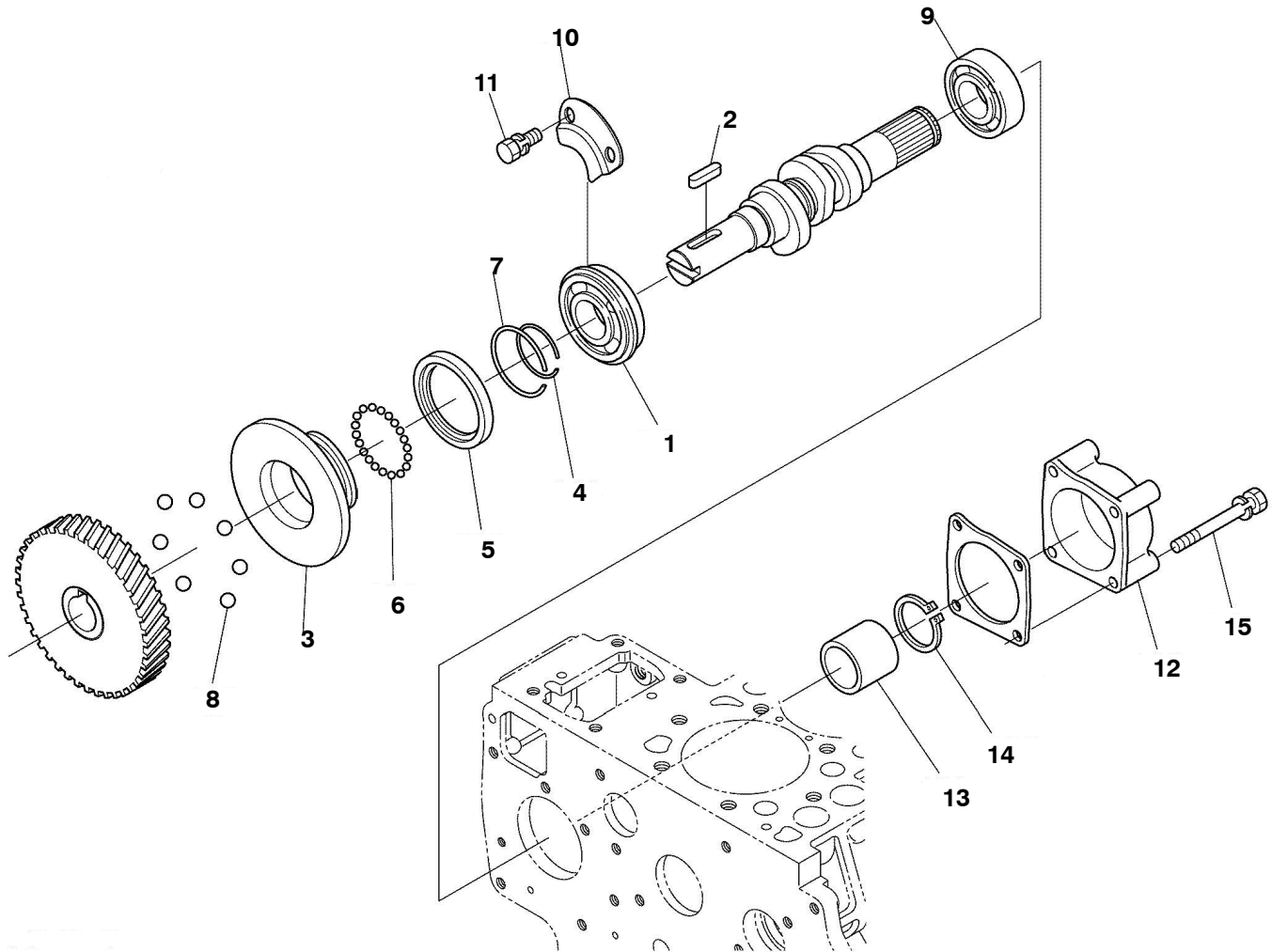




## Piston and Crankshaft

Item	Part No.	Description	Qty
1		Ring, Piston – Assy.	
	0541-1168	STD	3
	0541-1169	+0.25mm	3
2	0518-0732	Circlip, Int	6
3	A047C486	Rod, Connecting – Assy.	3
4	A047C490	Bush, Piston Pin	3
5	A047C509	Bolt (Rod, Connecting)	6
6		Metal, Crankpin	
	A047C530	STD Set	3
	A047C533	-40mm Set	3
7	A047C539	Comp. Crankshaft	1
8	0185-5924	Ball (1/4)	3
9	0185-5925	Bush, Crankshaft	1
10	0507-0006	Gear, Crankshaft	1
11	0515-0320	Key, Feather	1
12	0185-5927	Oil, Slinger	1
13	0185-5928	Collar, Crankshaft	1
14	0185-5929	O-Ring	1
15	0185-5930	Nut, Crankshaft	1
16		Metal, Crankshaft	
	A047D068	STD	1
	0104-2037	-0.20mm	1
	0104-2038	-0.40mm	1
17		Metal, Side	
	A047D085	STD	2
	0104-2041	-0.20mm	2
	0104-2042	-0.40mm	2
18		Metal, Side	
	A047D093	STD	2
	0104-2043	+0.20mm	2
	0104-2044	+0.40mm	2
19	A047D095	Seal, Oil	1
20		Kit, Metal	
	0541-1708	-0.20mm/+0.20mm	1
	0541-1709	-0.40mm/+0.40mm	1
21	A047C759	Pin, Straight	1

## D1703 Engine Service Parts Fuel Camshaft and Governor Shaft

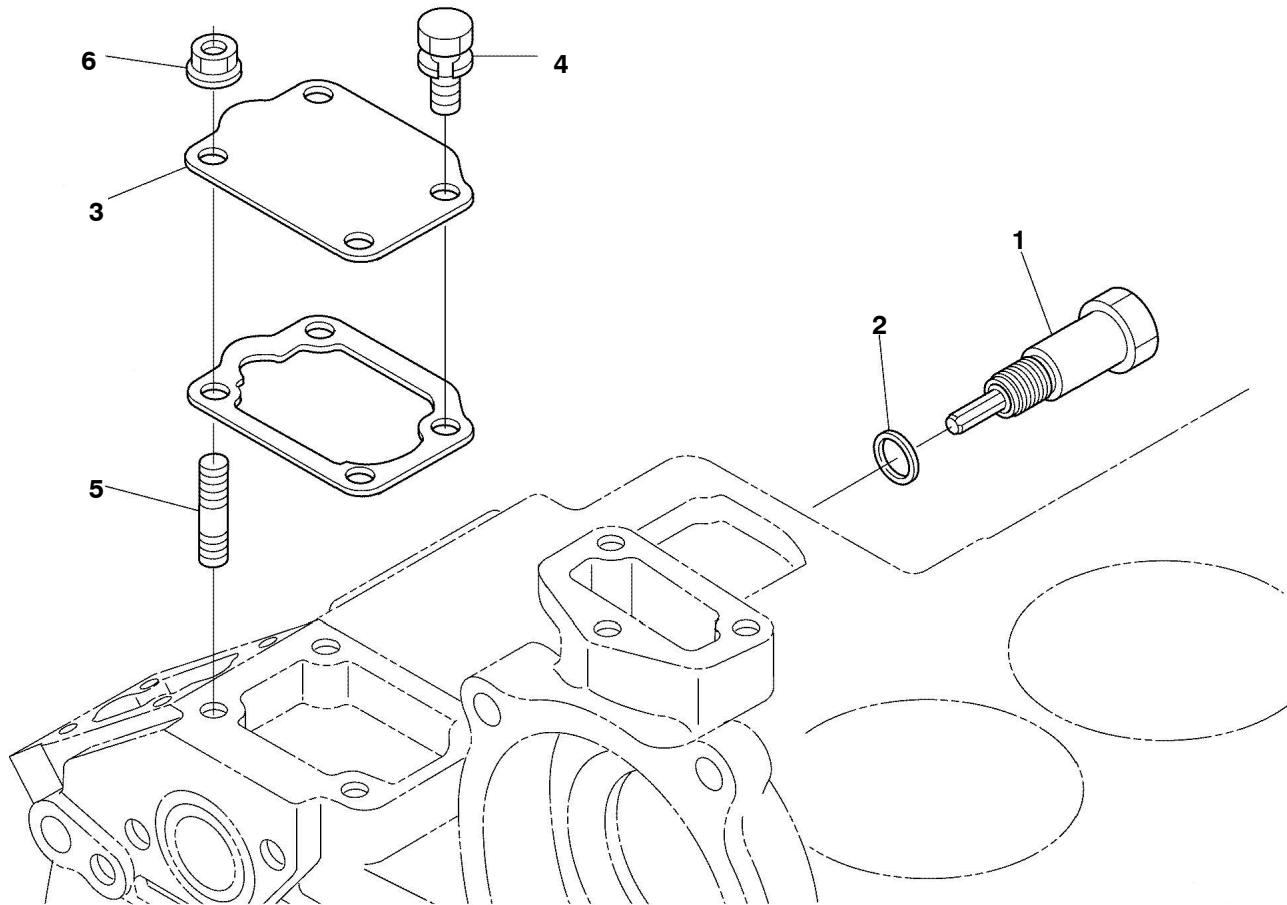


## Fuel Camshaft and Governor Shaft

Item	Part No.	Description	Qty
1	A047D222	Gear, Injection Pump	1
2	0185-5949	Feather Key	1
3	A047D239	Sleeve (Governor)	1
4	0518-0712	Circlip Governor Sleeve	1
5	A047D243	Case (Governor Ball)	1
6	0150-0740	Ball (5/32)	39
7	0518-0713	Circlip	1
8	0150-0740	Ball	7
9	A047D245	Bearing, Ball	1
10	0185-5962	Stopper (Fuel C/Shaft)	1
11	0185-3009	Bolt, SEMS	2
12	A047D251	Cover, Fuel Camshaft	1
13	A047D254	Collar	1
14	0185-5963	Cir-Clip, External	1
15	0185-6773	Bolt, SEMS	4

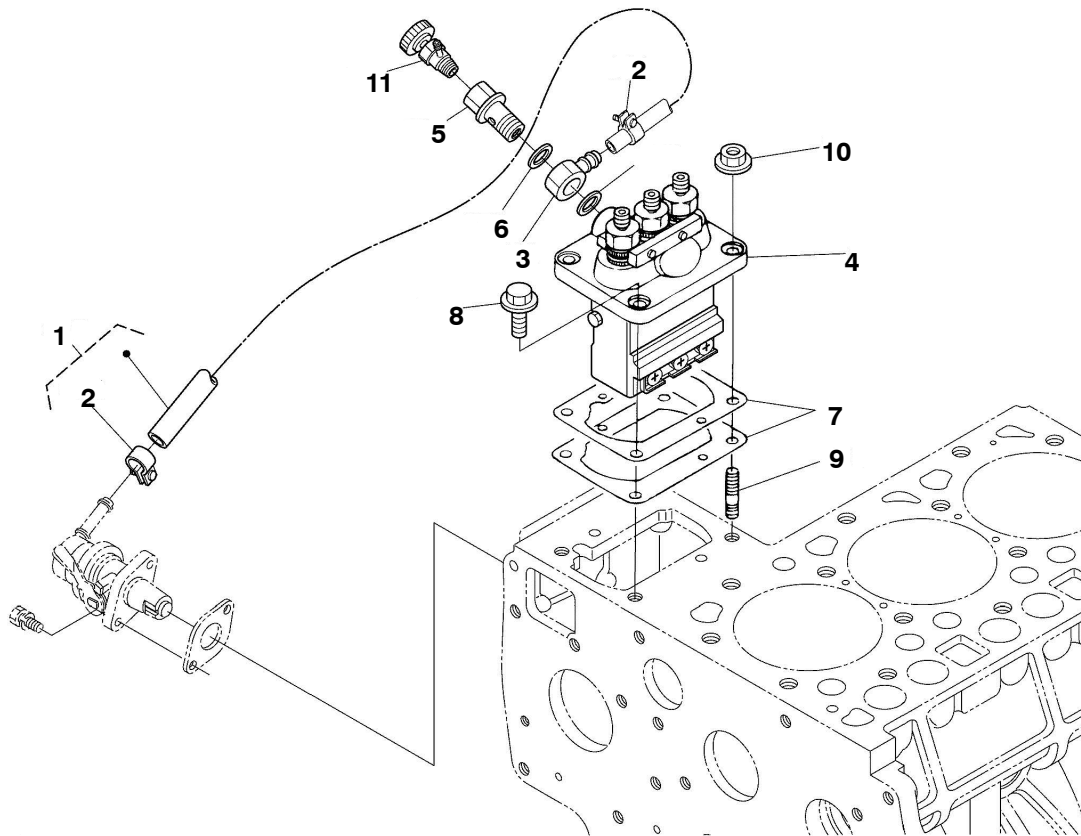
## D1703 Engine Service Parts

### Idle Apparatus



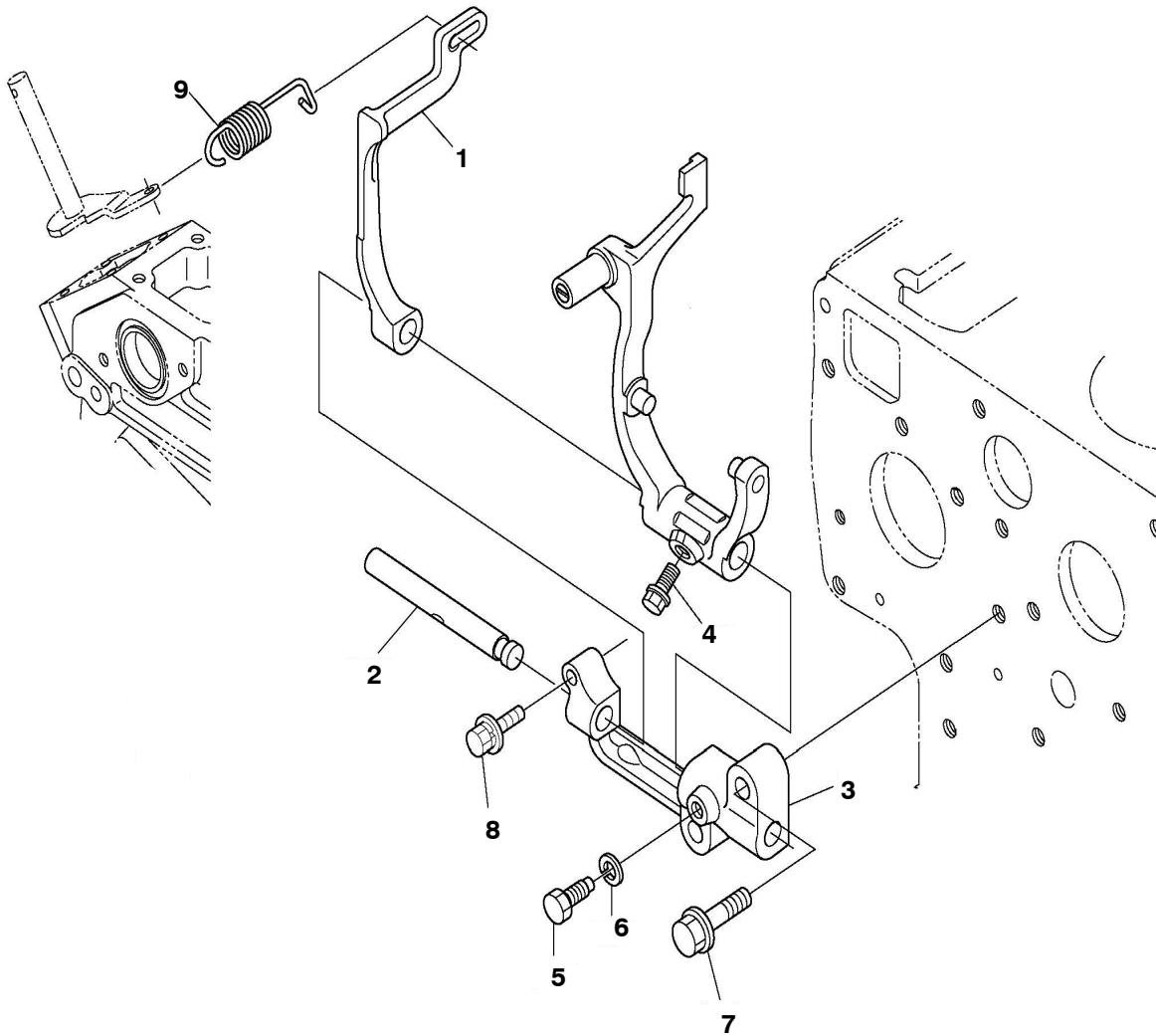
Item	Part No.	Description	Qty
1	0150-2853	Apparatus, Idling	1
2	0509-0418	Gasket	1
3	0232-4230	Cover	1
4	0185-2388	Bolt, SEMS	2
5	0185-5727	Stud	2
6	0185-7166	Nut, Flange	2

## D1703 Engine Service Parts Injection Pump



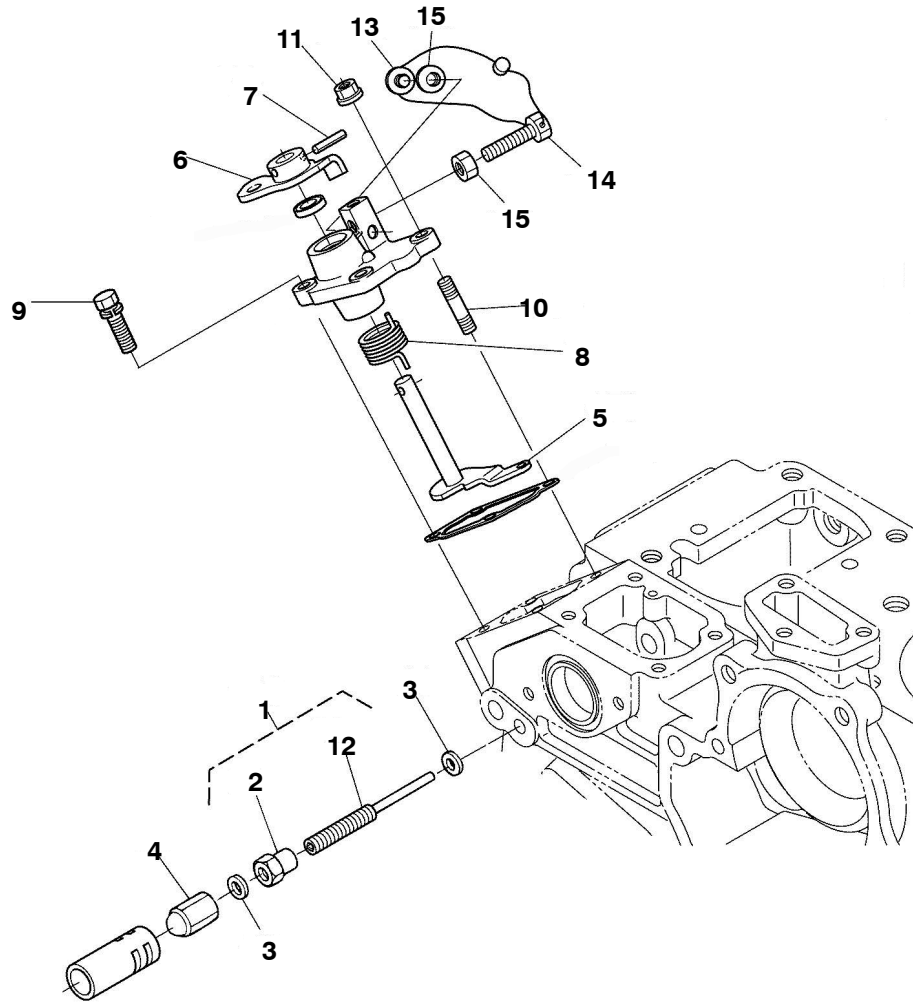
Item	Part No.	Description	Qty
1	0185-5979	Assy Pipe, Fuel	1
2	0185-2336	Clip, Pipe	2
3	0185-6991	Joint, SWV Pipe	1
4	A047D297	Assy Pump, Injection	1
5	A047D299	Bolt (Joint, SWV Pipe)	1
6	A047D313	Gasket	2
7		Shim, Injection Pump	
	0185-6987	0.200mm	1
	0185-6988	0.250mm	1
	0185-6989	0.300mm	1
8	0800-6333	Bolt, Flange	2
9	0185-6033	Stud	2
10	0185-7134	Nut, Flange	2
11	0185-5978	Assy Cock, Jet Start	1

## D1703 Engine Service Parts Governor



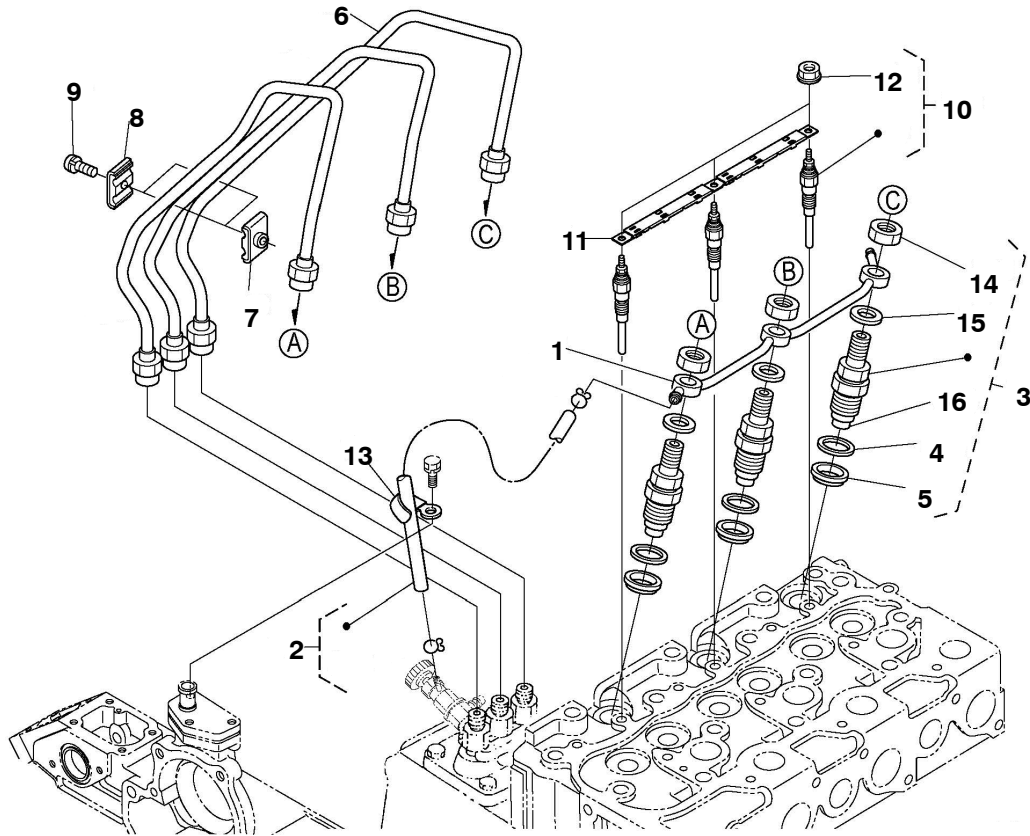
Item	Part No.	Description	Qty
1	0150-2842	Lever (Fork)	1
2	0150-2805	Shaft (Fork Lever)	1
3	0150-2836	Holder, Fork Lever	1
4	A026E389	Bolt, Flange	1
5	0800-6306	Bolt	1
6	0850-2083	Washer, Spring Lock	1
7	0800-6334	Bolt, Flange	2
8	0185-5147	Bolt	1
9	A047D613	Spring (Governor, 1)	1

## D1703 Engine Service Parts Speed Control Plate



Item	Part No.	Description	Qty
1	0150-2840	Bolt, Assy (Adjustment)	1
2	0860-2032	Nut	1
3	0185-2284	Gasket	2
4	0185-5529	Nut, Cap	1
5	0150-2841	Lever Comp (Governor)	1
6	A047D803	Lever, Speed Control	1
7	0185-5552	Pin, Spring	1
8	0506-0027	Spring (Return)	1
9	0185-2390	Bolt, SEMS	2
10	0185-2105	Stud	2
11	0185-7166	Nut, Flange	2
12	0800-6307	Bolt (Adjusting)	1
13	0181-9205	Bolt	1
14	0181-9205	Bolt	1
15	0181-9013	Hex, Nut	2

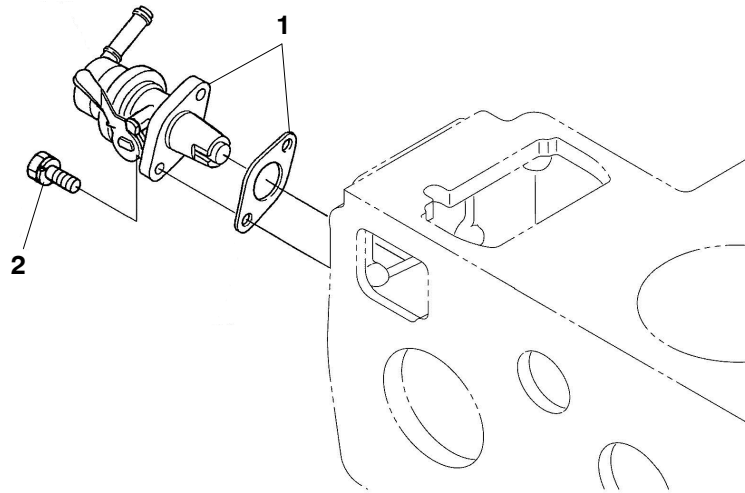
## D1703 Engine Service Parts Nozzle Holder and Glow Plug



Item	Part No.	Description	Qty
1	0501-0883	Pipe, Assy (Overflow)	1
2	A047D822	Tube, Fuel – Assy	1
3	A047D826	Kit Holder, Nozzle	1
4	0185-5337	Gasket	3
5	0185-5985	Seal (Heat)	3
6	0501-0886	Pipe, Injection	1
7	0185-5612	Clamp (Pipe)	2
8	0185-2345	Clamp (Pipe)	2
9	0185-2385	Screw, SEMS (Pan Head)	2
10	A047D863	Glow Plug	3
11	0337-3739	Cord (Plug, Glow)	1
12	0185-5615	Nut, Flange	3
13	0185-5140	Clamp, Cord	1
14	A046X510	Nut	3
15	A047E095	Washer	3
16	0185-7006	Nozzle, Piece	3

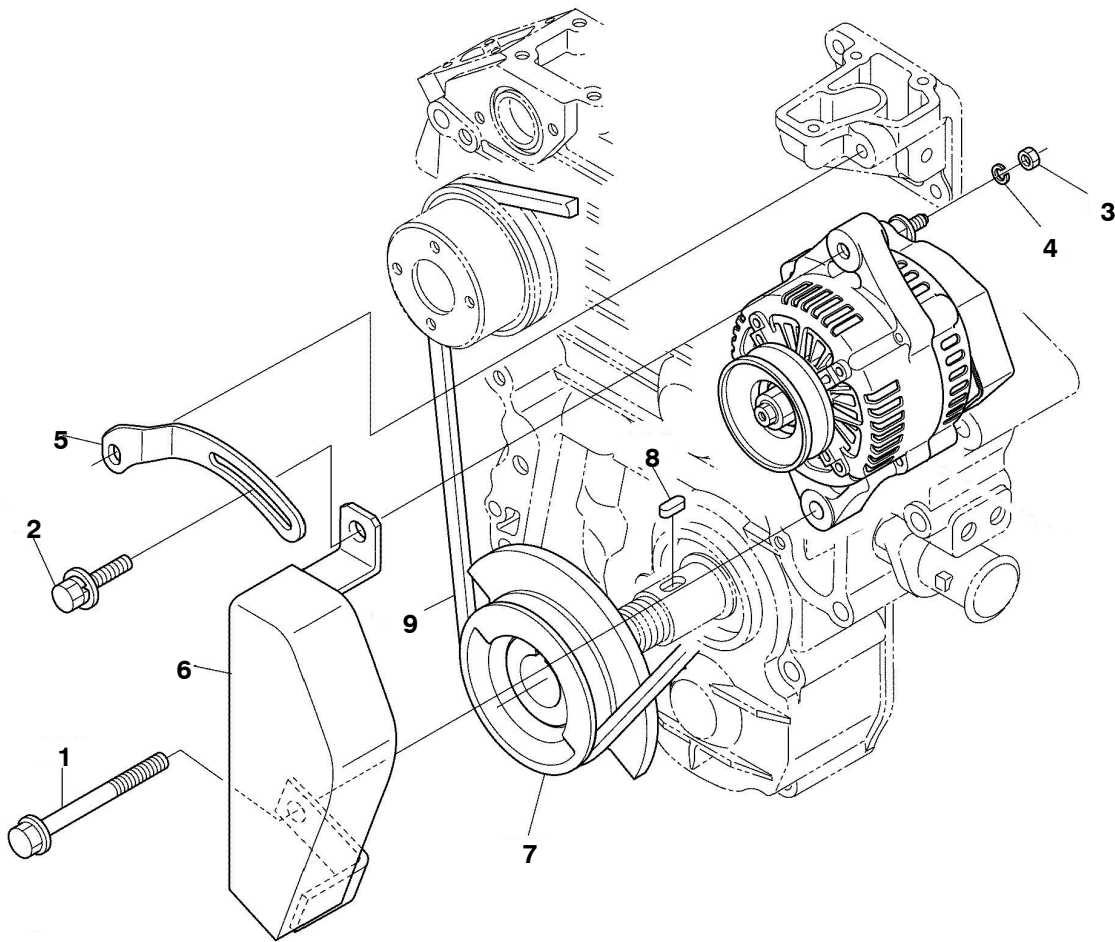


## D1703 Engine Service Parts Fuel Pump (Mechanical)



Item	Part No.	Description	Qty
1	0185-5993	Pump, Fuel	1
2	0185-2388	Bolt, SEMS	2

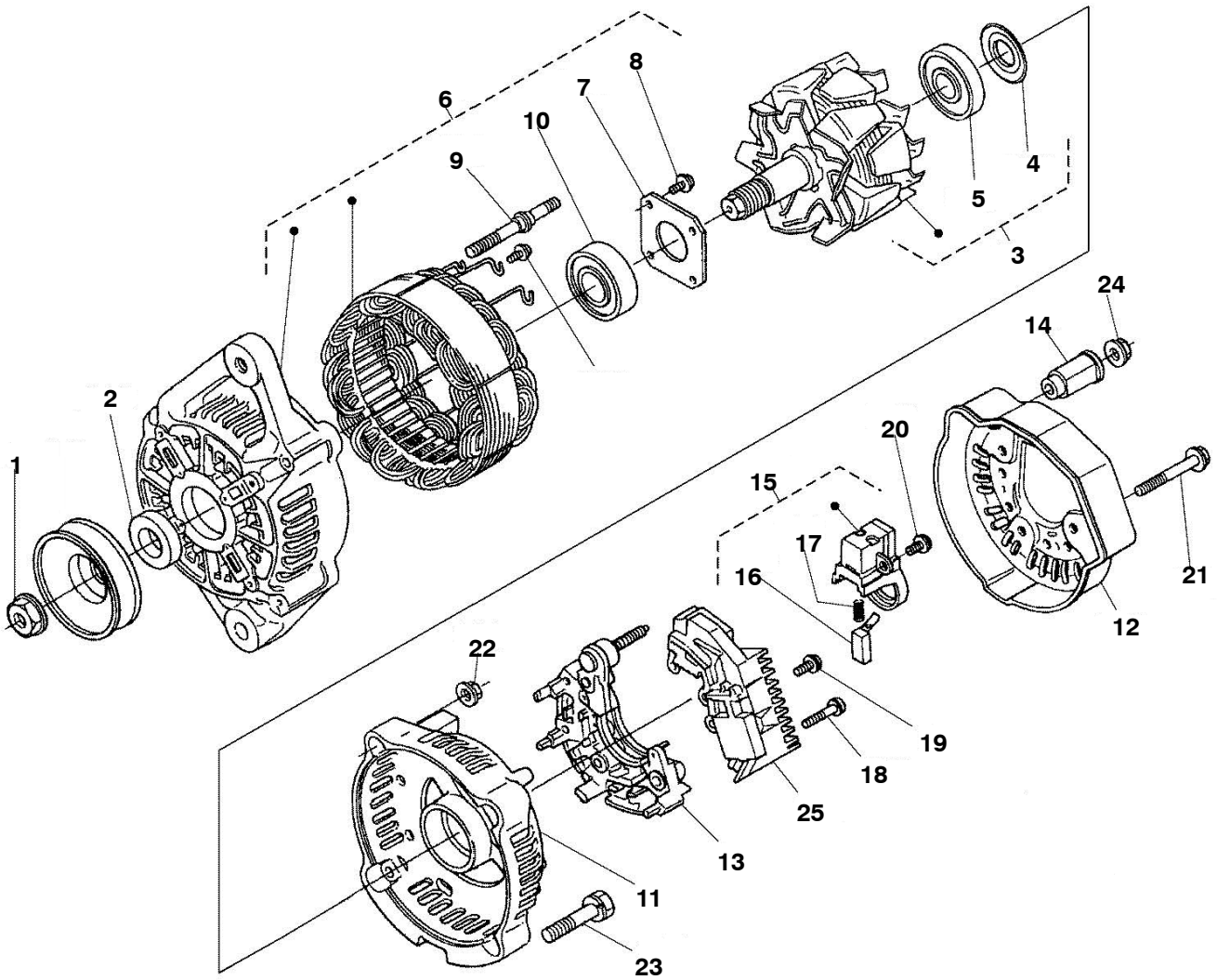
## D1703 Engine Service Parts Alternator and Pulley



Item	Part No.	Description	Qty
1	A042M915	Bolt, Flange	1
2	0800-6345	Bolt, SEMS (Large Washer)	1
3	0181-9013	Hex, Nut	1
4	0181-2380	Washer, Spring Lock	1
5	0403-7297	Stay (Dynamo)	1
6	0232-4231	Cover, Alternator	1
7	0512-0293	Pulley, Fan Drive	1
8	0185-5905	Key, Feather	1
9	0511-0258	V-Belt (39")	1

This page is Intentionally blank.

## D1703 Engine Service Parts Alternator

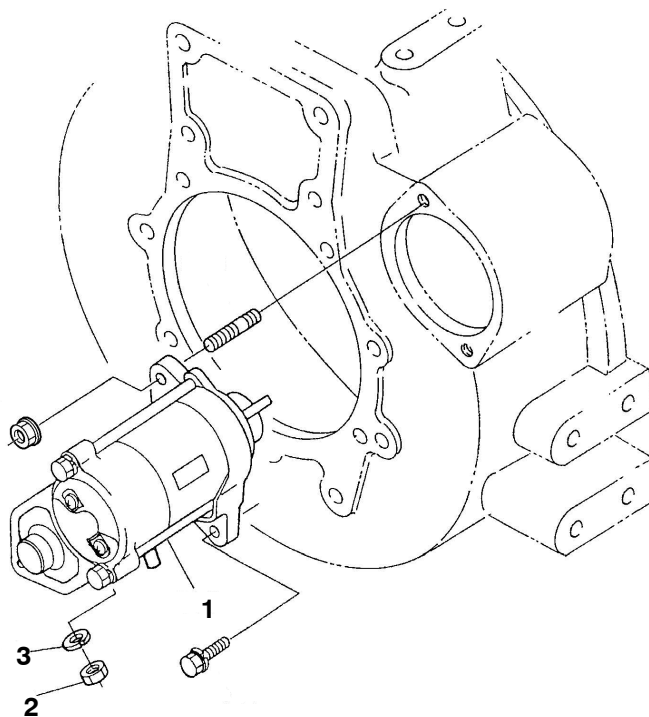


## Alternator

Item	Part No.	Description	Qty
1	0185-5768	Nut	1
2	0185-5769	Collar	1
3	0185-9263	Rotor	1
4	0185-5771	Cover (Bearing)	1
5	0185-6811	Brg, Ball	1
6	0185-9262	Frame, Assy (Drive End)	1
7	0185-5774	Plate (Retainer)	1
8	0185-5775	Screw, Round Head	4
9	0185-5776	Bolt (Through)	2
10	0185-6831	Brg, Ball	1
11	0185-6188	Frame (End)	1
12	0185-9097	Cover (End)	1
13	0185-6190	Rectifier, Assy	1
14	0185-6191	Bushing, Insulation	1
15	0185-6819	Holder, Brush	1
16	0185-5783	Brush	2
17	0185-5784	Spring (Brush)	2
18	0185-5785	Screw, Round Head	2
19	0185-5786	Screw, Round Head	6
20	0185-5787	Screw, Round Head	1
21	0185-5788	Bolt	3
22	0185-5789	Nut	2
23	0185-5790	Bolt	2
24	0185-2961	Nut	1
25	0181-9257	Assy Regulator	1

## D1703 Engine Service Parts

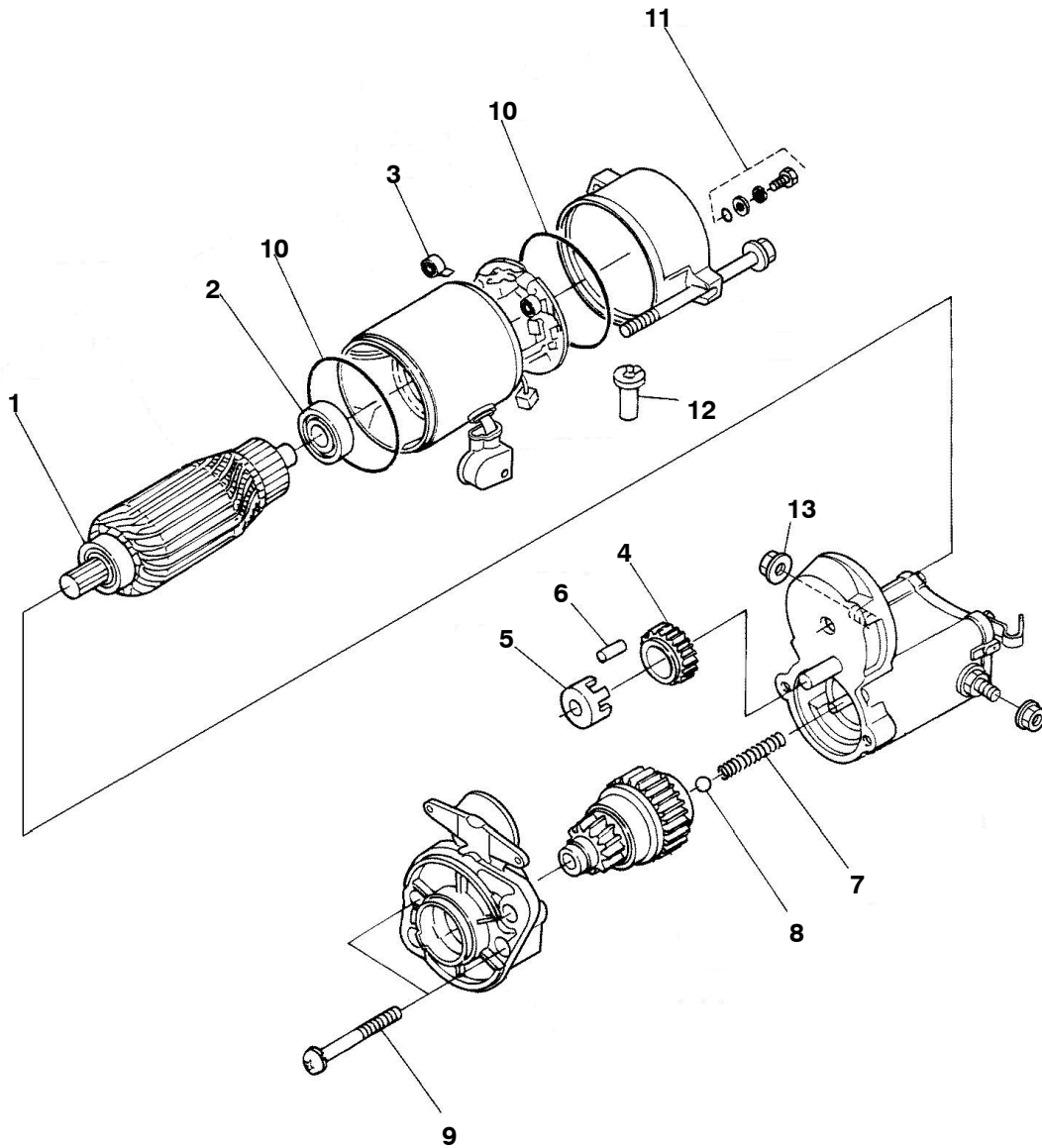
### Starter



Item	Part No.	Description	Qty
1	A049G306	Assy Starter	1
2	0185-2366	Hex, Nut	1
3	0185-2381	Washer, Spring Lock	1

This page is Intentionally blank.

## D1703 Engine Service Parts Starter Components



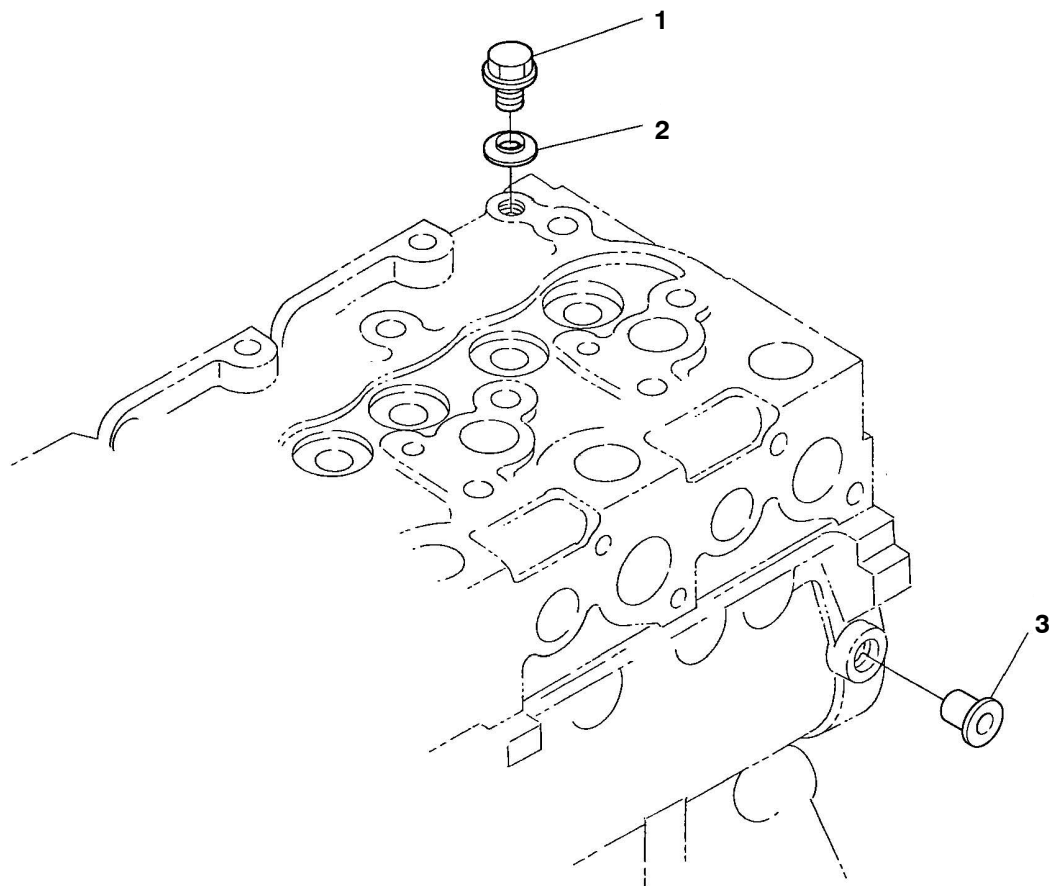


## Starter Components

Item	Part No.	Description	Qty
	A049G306	Assy Starter (Includes parts Listed Below)	1
1	0181-9030	Bearing	1
2	0181-9031	Bearing	1
3	0185-6358	Spring (Brush)	4
4	0181-9025	Gear	1
5	0181-9026	Retainer	1
6	0181-9198	Roller	5
7	0181-9027	Spring	1
8	0181-9199	Ball	1
9	0185-6653	Bolt	2
10	0181-9043	O-Ring	2
11	0185-6655	Bolt, Assy	2
12	0185-6660	Pipe (Drain)	1
13	0185-6656	Nut (Hexagon)	1

## D1703 Engine Service Parts

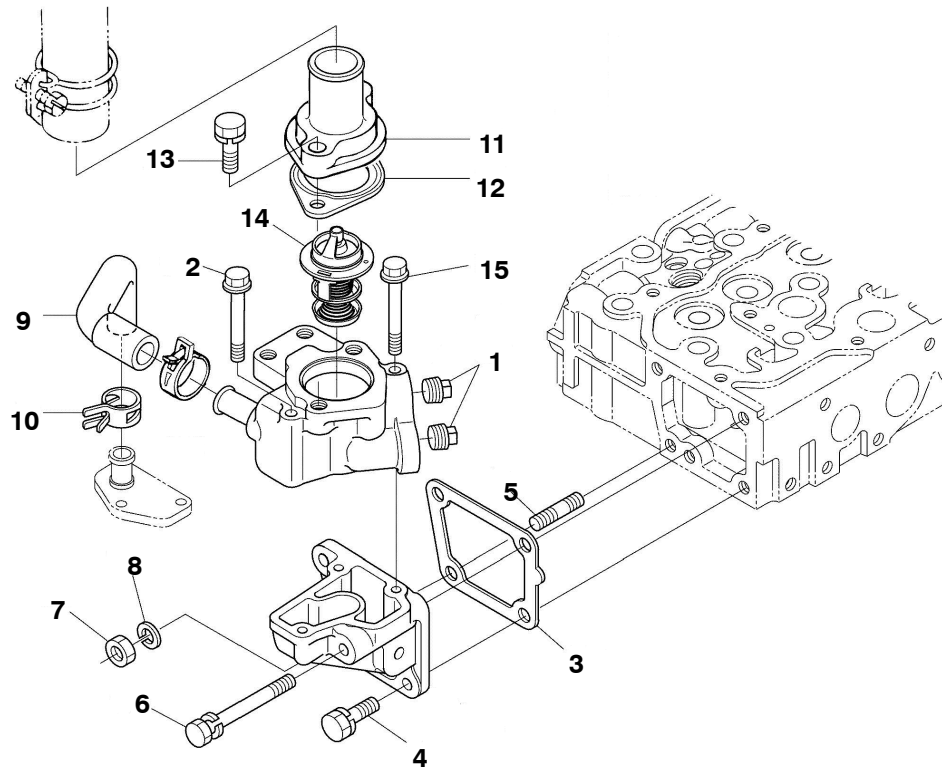
### Plug



Item	Part No.	Description	Qty
1	0185-5867	Plug	1
2	0185-5868	Washer, Seal	1
3	0185-6039	Plug	1

## D1703 Engine Service Parts

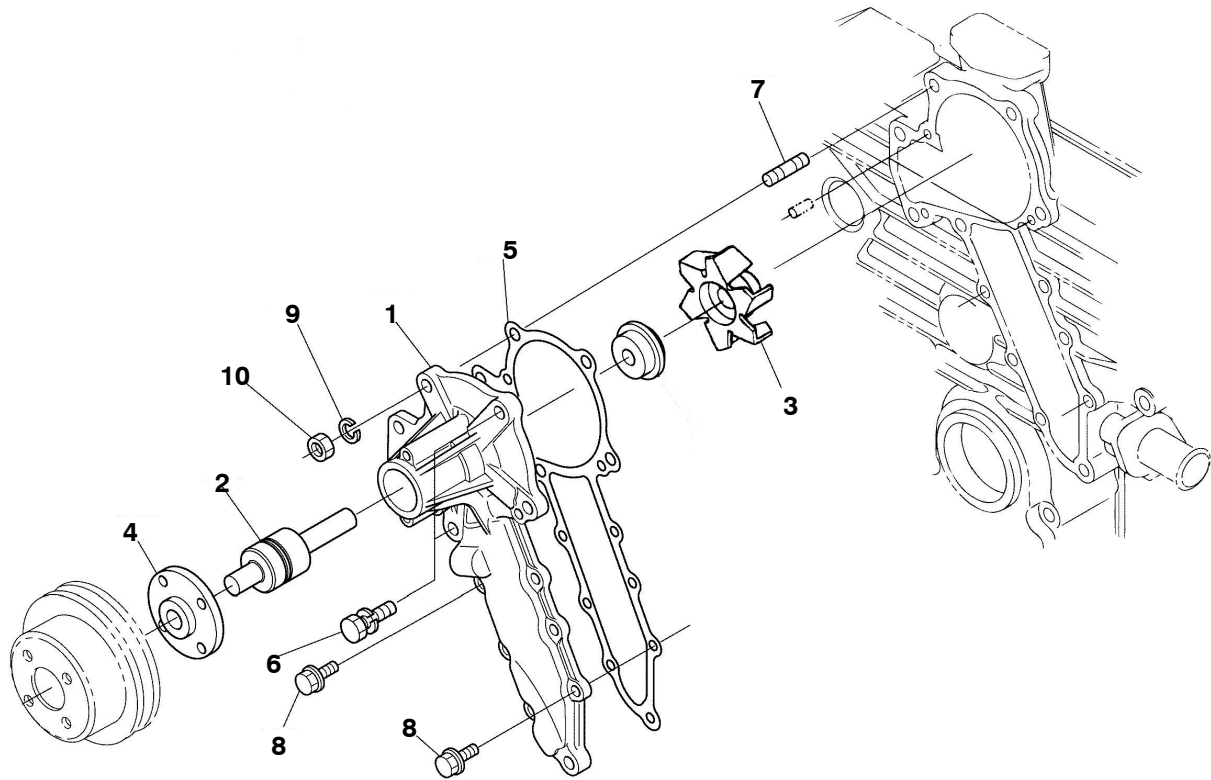
### Water Flange and Thermostat



Item	Part No.	Description	Qty
1	0517-0441	Plug	2
2	0800-6331	Bolt, Flange	2
3	0130-6334	Gasket (Flange, Water)	1
4	0185-2401	Bolt, SEMS	2
5	0185-6033	Stud	1
6	0800-6328	Bolt	1
7	0185-2367	Hex, Nut	1
8	0185-2381	Washer, Spring Lock	1
9	0503-2553	Pipe (Water Return)	1
10	0503-2552	Band, Hose	1
11	0185-7298	Cover (Thermostat)	1
12	0130-6364	Gasket (Thermostat)	1
13	0185-2565	Bolt, SEMS	2
14	0130-6329	Assy Thermostat	1
15	0800-6332	Bolt, Flange	1

## D1703 Engine Service Parts

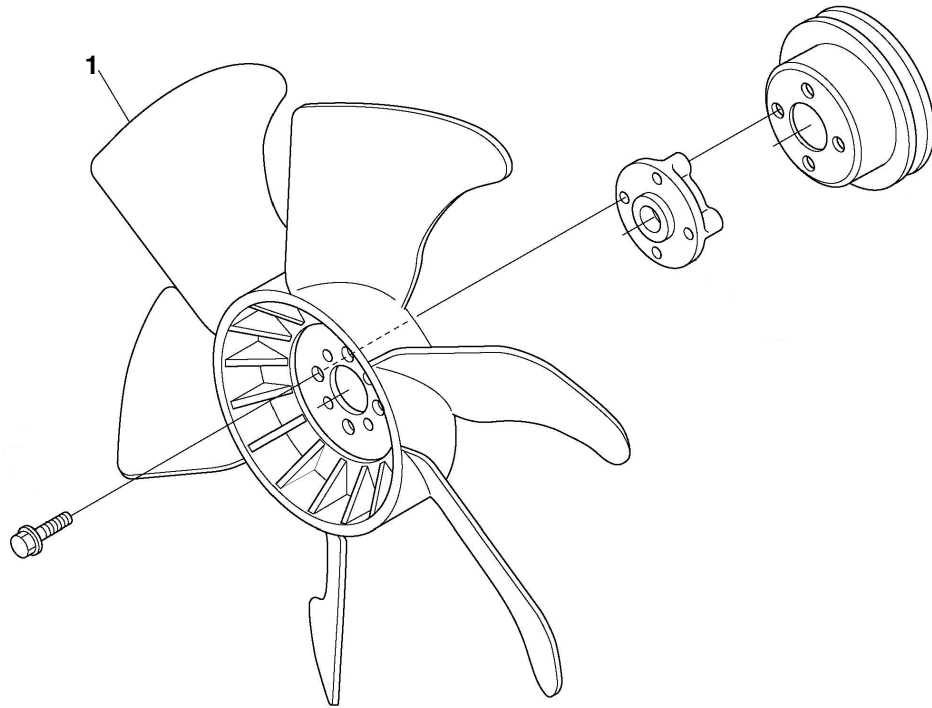
### Water Pump



Item	Part No.	Description	Qty
	0132-0526	Pump, Water – Complete Assembly	1
1	A047E428	Body, Water Pump	1
2	0510-0215	Bearing	1
3	0132-0444	Impeller (Water Pump)	1
4	0130-6347	Flange (Pump, Water Shaft)	1
5	0132-0447	Gasket, Water Pump	1
6	0185-2404	Bolt, SEMS	2
7	0520-2655	Bolt, Stud	1
8	A026E389	Bolt, Flange	6
9	0185-2381	Washer, Spring Lock	1
10	0185-2367	Nut, Hex	1

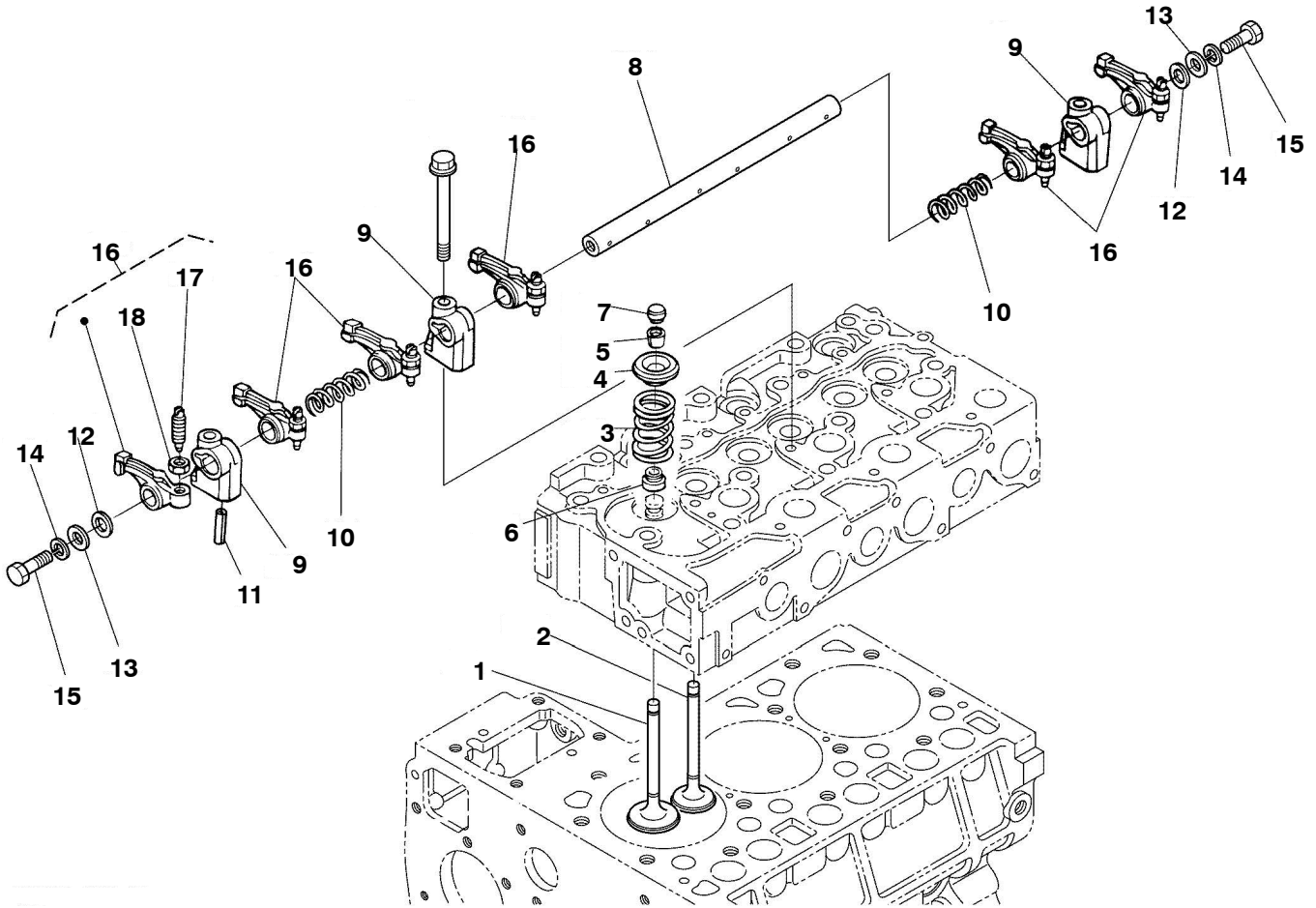
## D1703 Engine Service Parts

### Cooling Fan



Item	Part No.	Description	Qty
1	A045R294	Fan, FP410	1

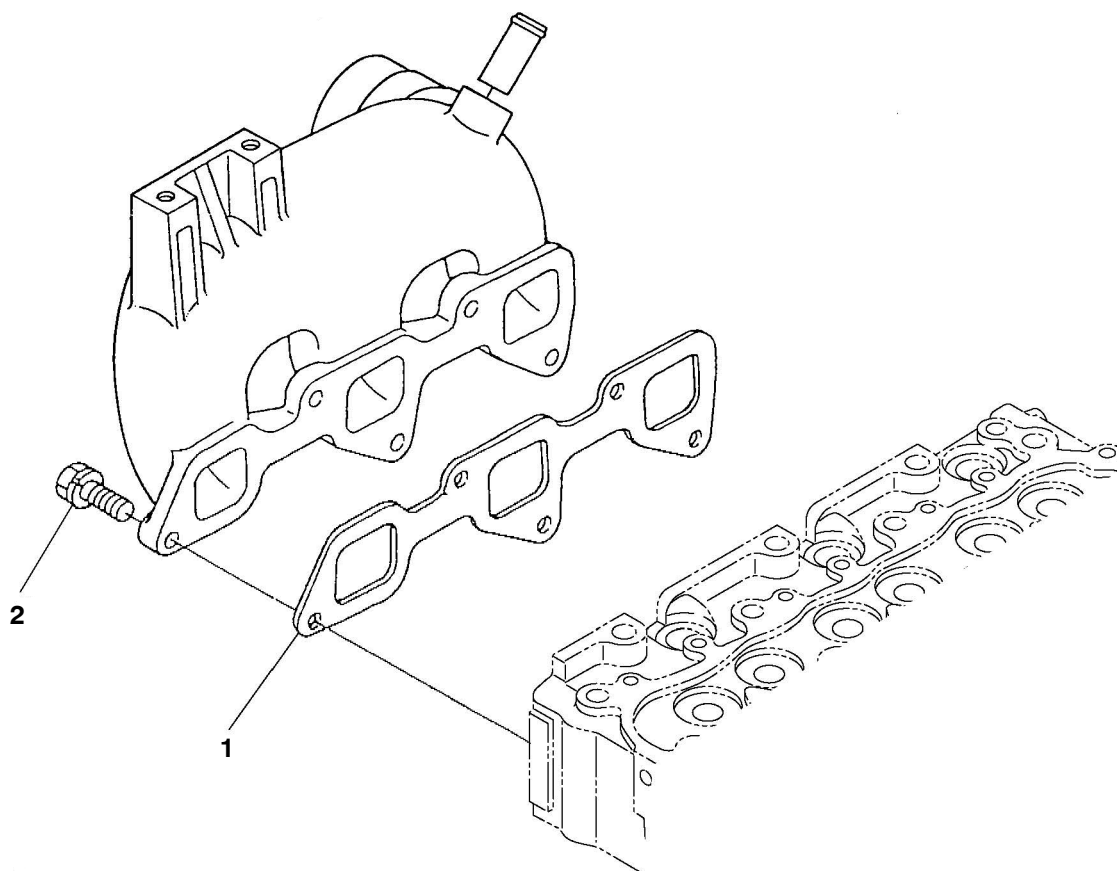
## D1703 Engine Service Parts Valve and Rocker Arm



## Valve and Rocker Arm

Item	Part No.	Description	Qty
1	A047E699	Valve, Inlet	3
2	A047E738	Valve, Exhaust	3
3	A047E760	Spring (Valve)	6
4	0185-6017	Retainer, Valve Spring	6
5	0110-3948	Collet, Valve Spring	6
6	0185-6018	Seal (Valve Stem)	6
7	A047E787	Cap, Valve	6
8	0115-0509	Shaft (Rocker Arm)	1
9	A047E803	Bracket, Rocker Arm	3
10	0185-6026	Spring (Arm, Rocker)	2
11	A047F064	Spring Pin	1
12	0185-6025	Washer (R-Arm.Shaft)	2
13	0185-2377	Washer, Plain	2
14	0185-2381	Washer, Spring Lock	2
15	0800-6327	Bolt, Hex	2
16	0185-6028	Arm, Rocker – Assy	6
17	A047F286	Screw, Adjusting	6
18	0185-6030	Nut	6

## D1703 Engine Service Parts Inlet Manifold

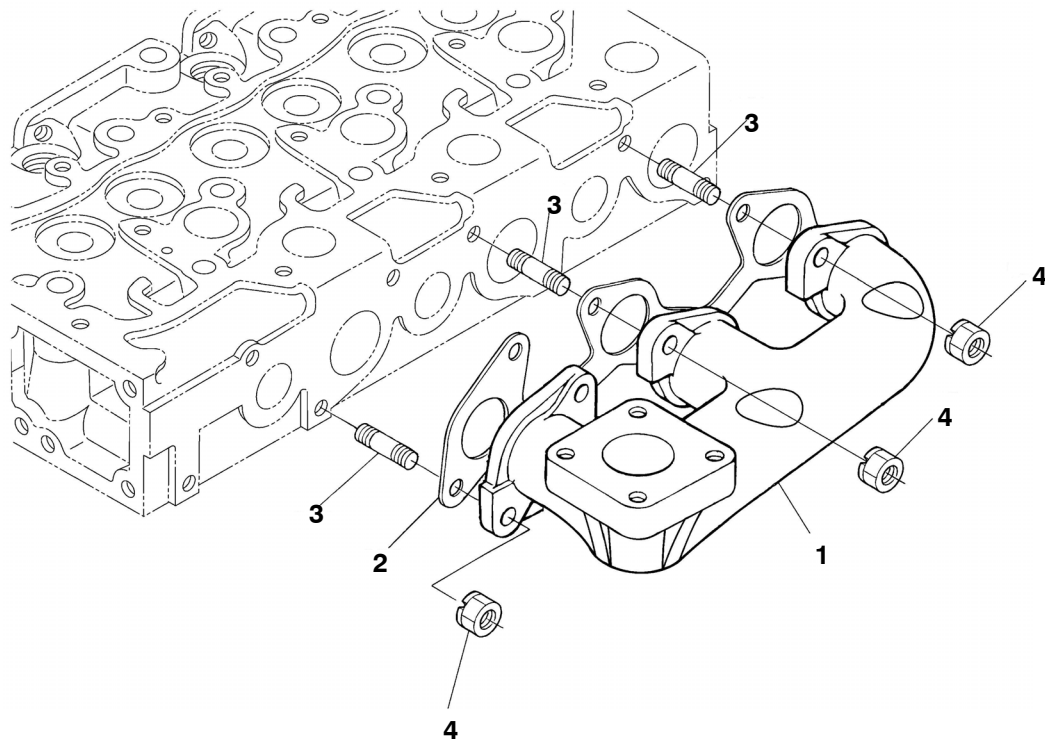


Item	Part No.	Description	Qty
1	0154-3188	Gasket, Inlet Manifold	1
2	0185-2402	Bolt, SEMS	5



## D1703 Engine Service Parts

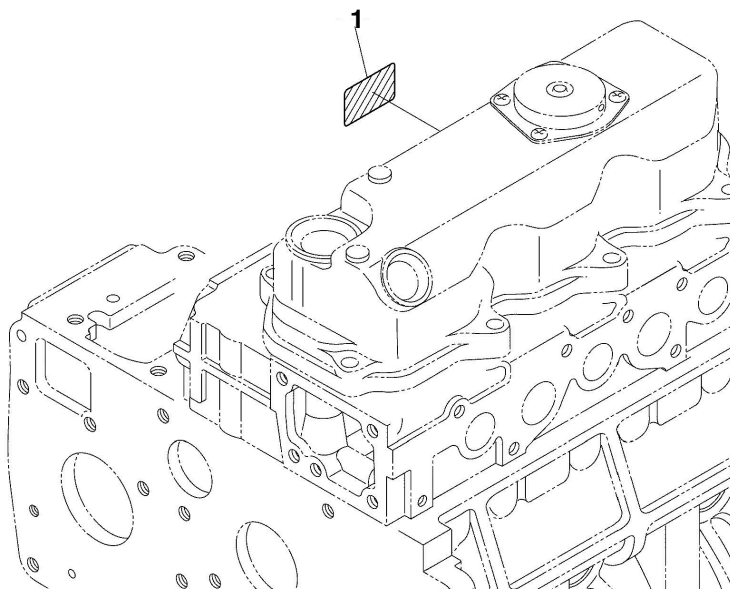
### Exhaust Manifold



Item	Part No.	Description	Qty
1	0154-3300	Manifold, Exhaust	1
2	0154-3189	Gasket, Exhaust Manifold	1
3	0185-6033	Stud	6
4	0860-2136	Nut (With Lock Washer)	6

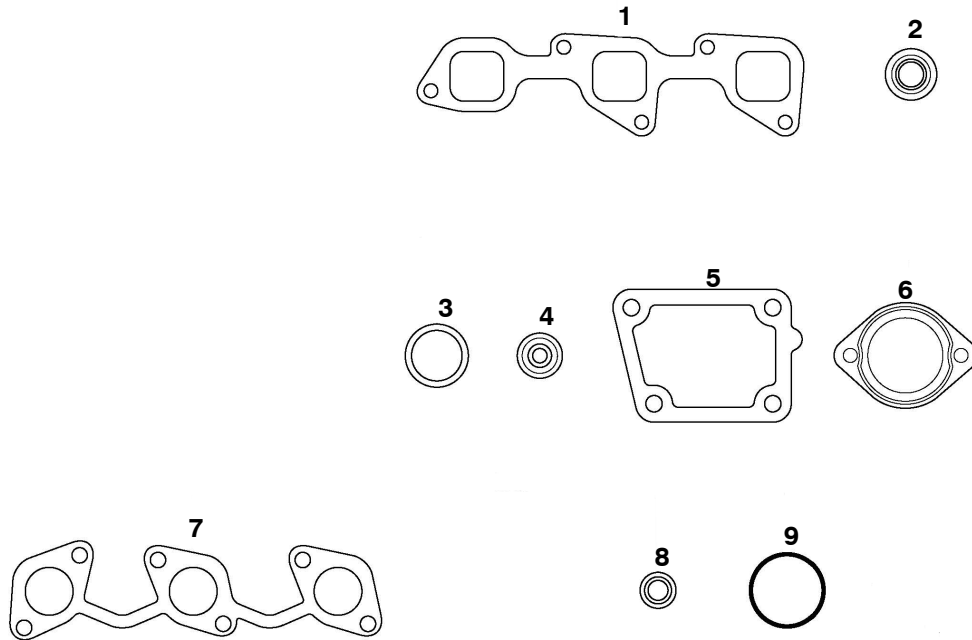
## D1703 Engine Service Parts

### Label



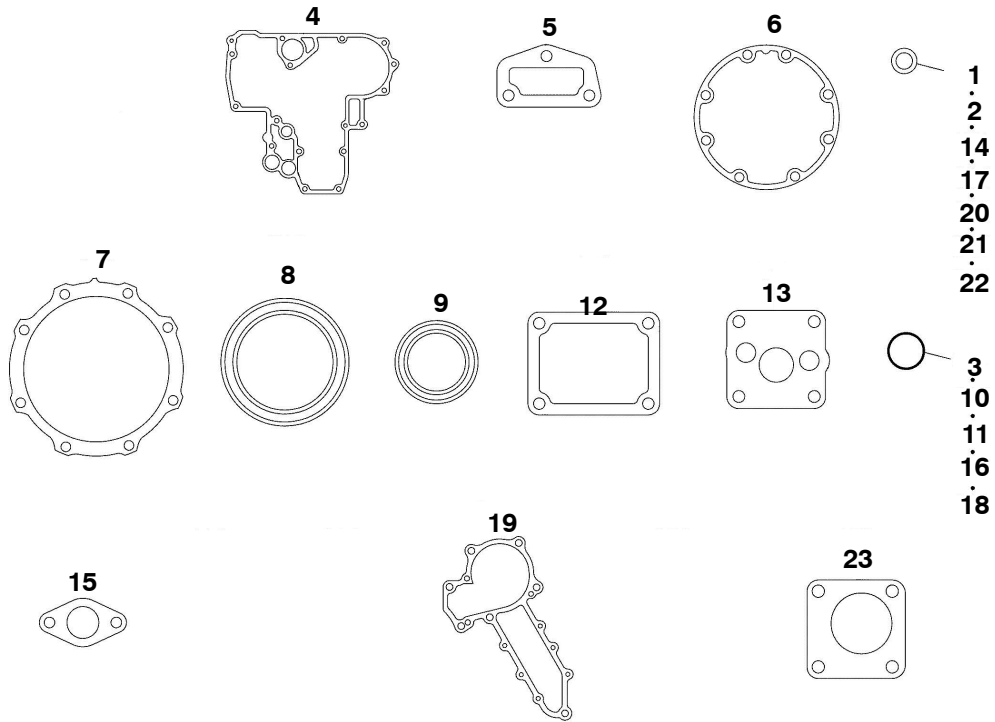
Item	Part No.	Description	Qty
1	0098-8331	Label, Pump	1

## D1703 Engine Service Parts Upper Gasket Kit (Option)



Item	Part No.	Description	Qty
	0541-1710	Kit, Upper Gasket (Includes the Following Parts)	
1	0154-3188	Gasket, Inlet Manifold	1
2	0185-6018	Seal (Valve Stem)	6
3	0185-5337	Gasket	3
4	0185-5985	Seal (Heat)	3
5	0130-6334	Gasket (Flange, Water)	1
6	0130-6364	Gasket (Thermostat)	1
7	0154-3189	Gasket (Exhaust Manifold)	1
8	0185-5868	Washer, Seal	1
9	0509-0414	O-Ring	1

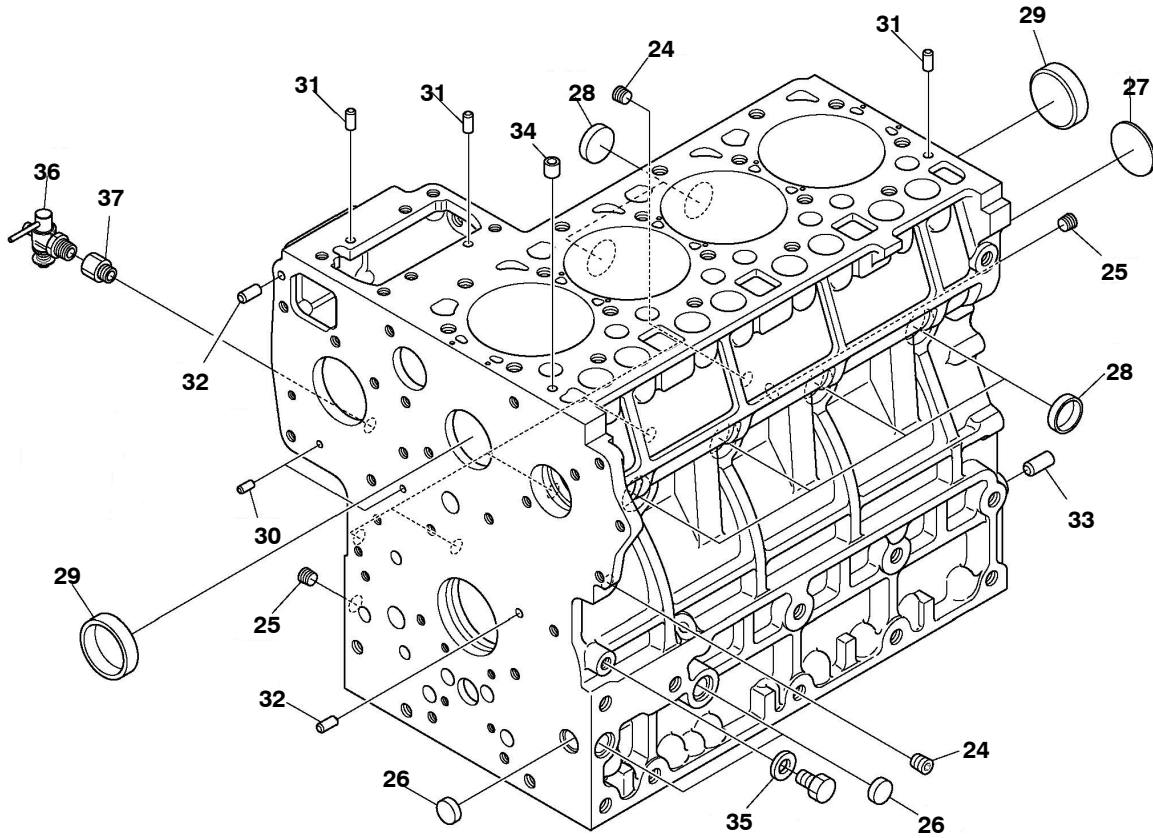
### D1703 Engine Service Parts Lower Gasket Kit (Option)



### Lower Gasket Kit (Option)

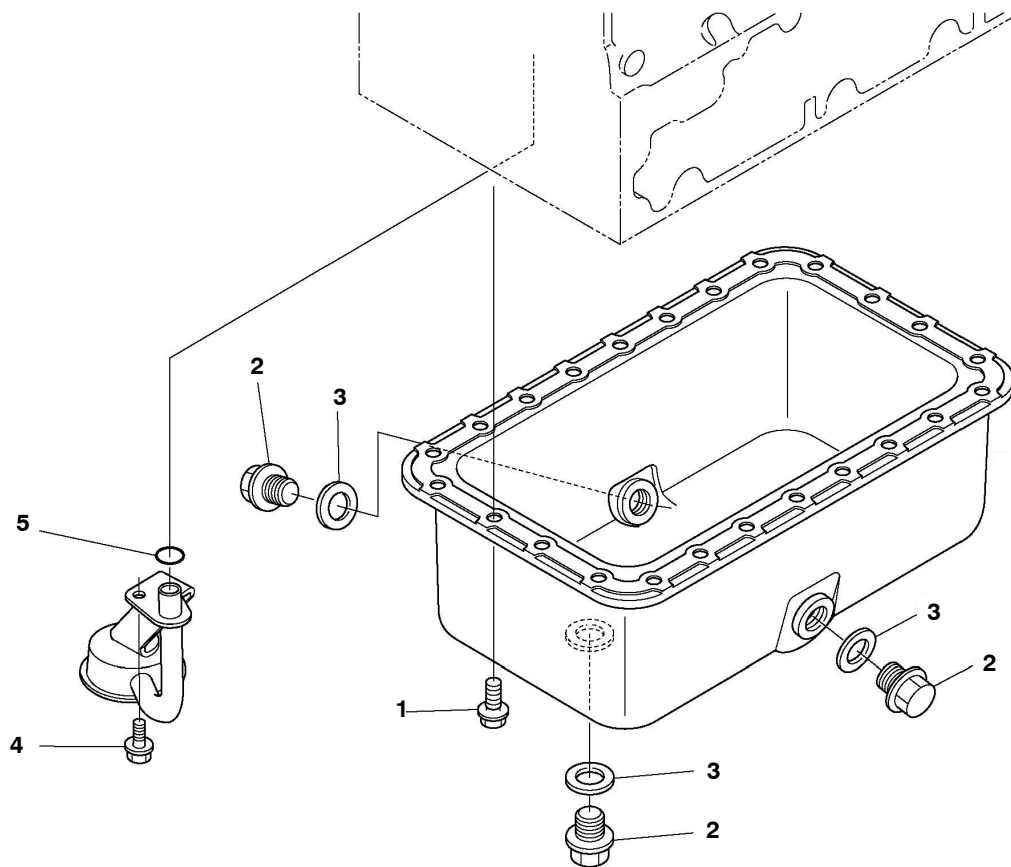
Item	Part No.	Description	Qty
1	0185-2338	Gasket	1
2	0509-0428	Gasket (Pan, Oil)	1
3	0113-0360	O-Ring	1
4	A047B500	Gasket (Case, Gear)	1
5	A047B582	Gasket (Return Flange)	1
6	0101-0834	Gasket, Bearing Case	1
7	0101-0835	Gasket, Case Cover	1
8	A047C086	Seal, Oil	1
9	A047D095	Seal, Oil	1
10	0185-5929	O-Ring	1
11	0159-0411	O-Ring	1
12	0101-0837	Gasket (Pump Cover)	1
13	0120-1355	Gasket, Oil Pum	1
14	A047D313	Gasket	2
15	0149-2914	Gasket (Fuel Pump)	1
16	0113-0361	Ring	1
17	0509-0418	Gasket	1
18	0509-0409	O-Ring	1
19	0132-0447	Gasket, Water Pump	1
20	0185-6761	Packing	1
21	0185-5495	Gasket	2
22	0185-2284	Gasket	2
23	0302-2084	Gasket, Hour Meter	1

## V2203 Engine Service Parts Crankcase



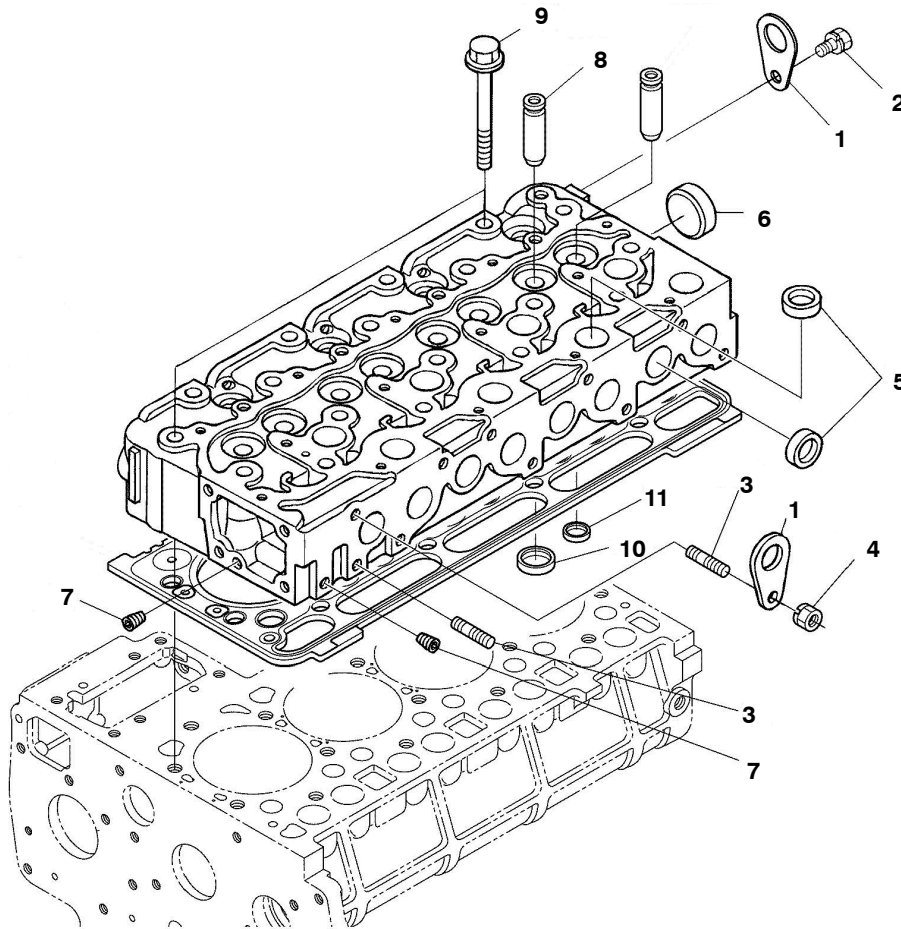
Item	Part No.	Description	Qty
24	0185-2233	Plug	6
25	0185-2234	Plug	2
26	0185-6121	Plug, Expansion	3
27	0185-6040	Plug, Expansion	1
28	0185-5840	Cap, Sealing	6
29	0185-5841	Cap, Sealing	2
30	0185-5842	Pin, Straight	2
31	0185-2350	Pin, Straight	3
32	0185-5843	Pin, Straight	2
33	0185-5844	Pin, Straight	1
34	0185-2094	Pin, Pipe	1
35	0185-2338	Gasket	1
36	0185-5846	Cock, Drain	1
37	0185-5847	Joint, Drain Cock	1

## V2203 Engine Service Parts Oil Pan



Item	Part No.	Description	Qty
1	0800-6340	Bolt, Flange	24
2	0185-6046	Plug (Drain)	3
3	0185-5495	Gasket	3
4	0185-2976	Bolt, Flange	1
5	0509-0411	O-Ring	1

## V2203 Engine Service Parts Cylinder Head

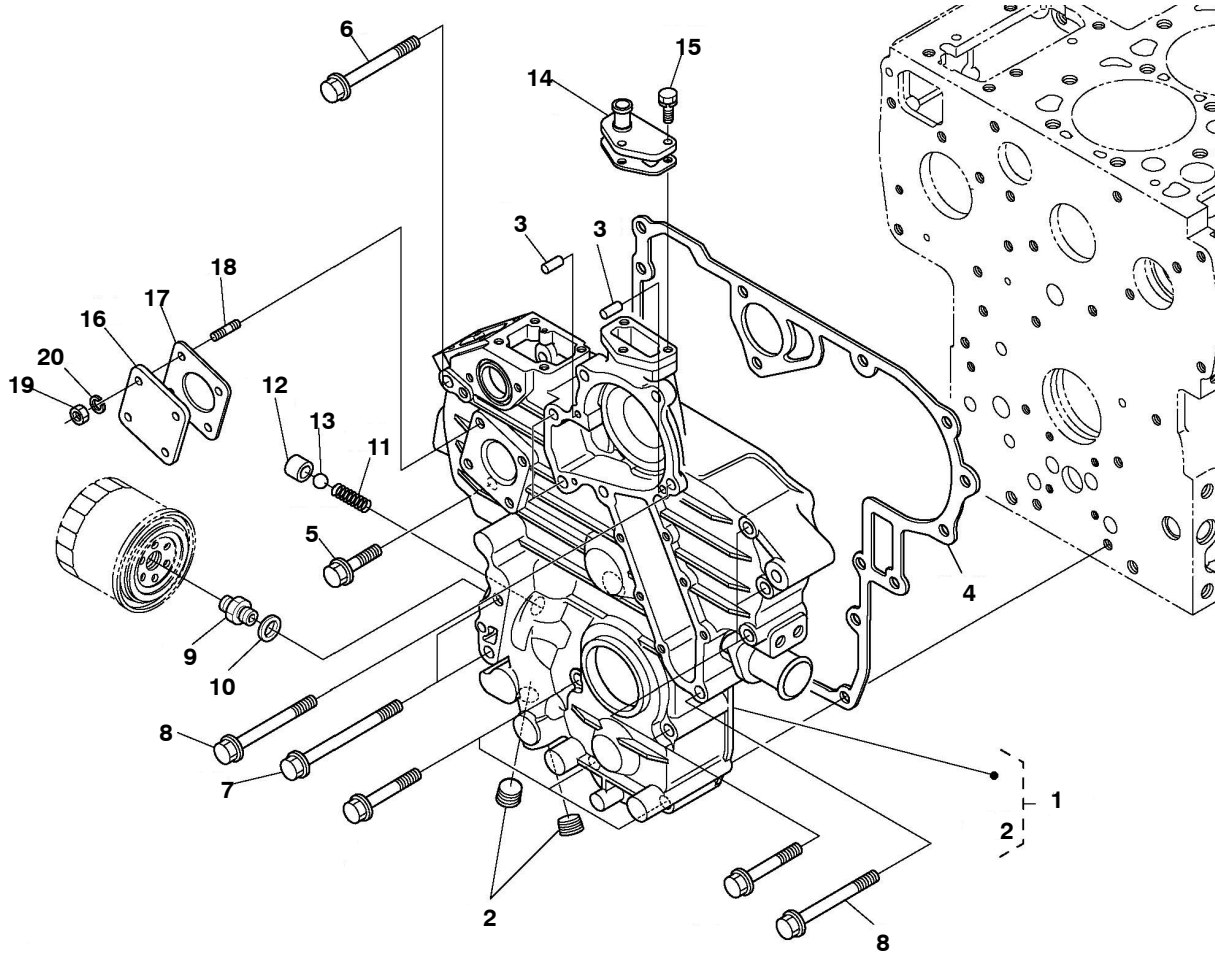


Item	Part No.	Description	Qty
1	0185-2414	Hook (Engine)	2
2	0185-2399	Bolt, SEMS	1
3	0185-6048	Stud	2
4	0860-2136	Nut (With Lock Washer)	1
5	0185-5861	Plug, Cup Type	12
6	0185-2412	Plug, Cup Type	1
7	0185-2188	Plug	2
8	A047B436	Guide, Valve (Inlet)	4
9	0185-5865	Bolt, Head (Cylinder)	18
10	A047B471	Seat, Valve (Inlet)	4
11	A047B484	Seat (Exhaust Valve)	4



This page is Intentionally blank.

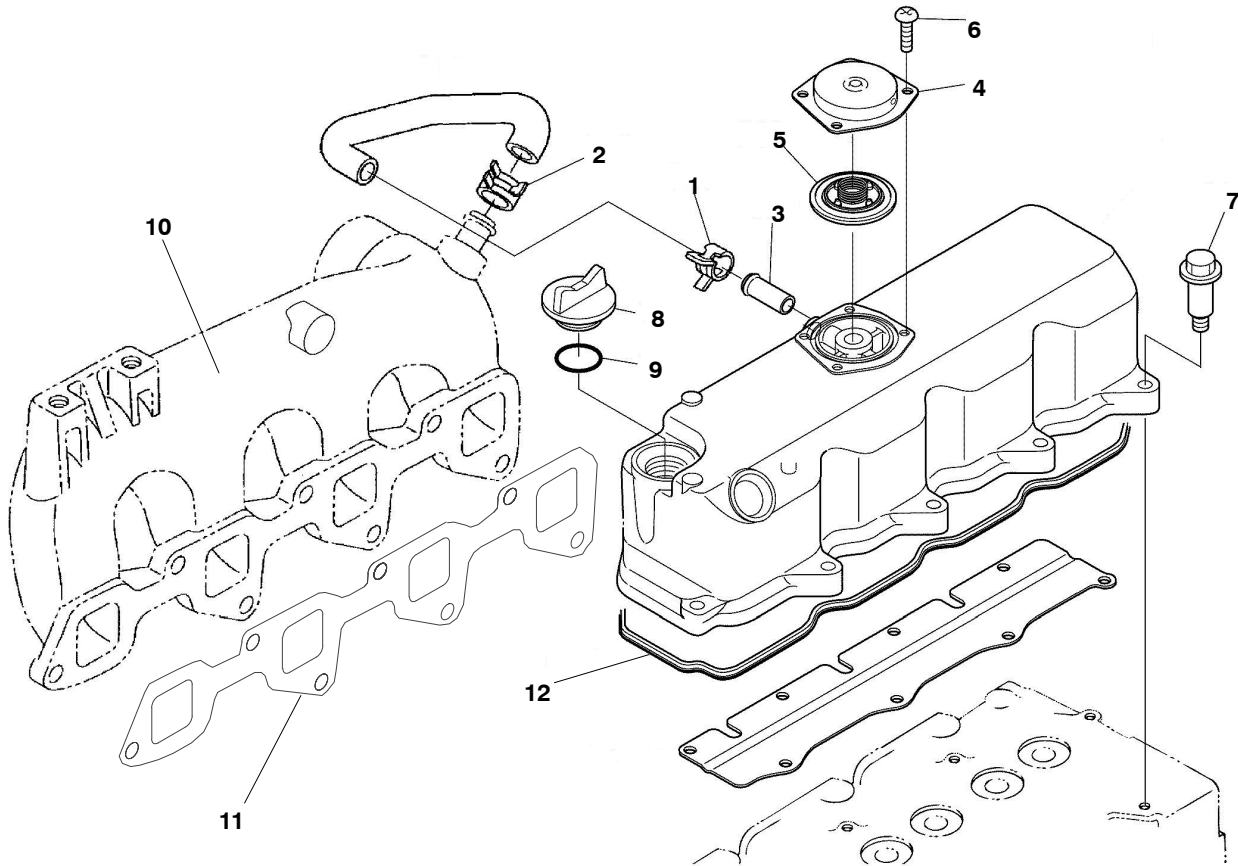
## V2203 Engine Service Parts Gear Case



## Gear Case

Item	Part No.	Description	Qty
1	A042M913	Case, Gear – Complete	1
2	0185-6481	Plug	2
3	0185-5843	Pin, Straight	2
4	A047B500	Gasket (Case, Gear)	1
5	0800-6334	Bolt, Flange	1
6	0800-6414	Bolt, Flange	1
7	0815-1798	Bolt, Flange	2
8	0815-1599	Bolt, Flange	4
9	0505-2256	Joint, Pipe	1
10	0509-0415	Collar, Valve Seat	1
11	0185-5877	Spring	1
12	0185-5878	Seat, Valve	1
13	0185-6711	Ball	1
14	0185-5879	Flange (Water Return)	1
15	0185-2390	Bolt, SEMS	3
16	0185-2153	Cover	1
17	0302-2084	Gasket, Hour Meter	1
18	0185-2105	Stud	4
19	0181-9013	Hex, Nut	4
20	0185-2380	Washer, Spring Lock	4

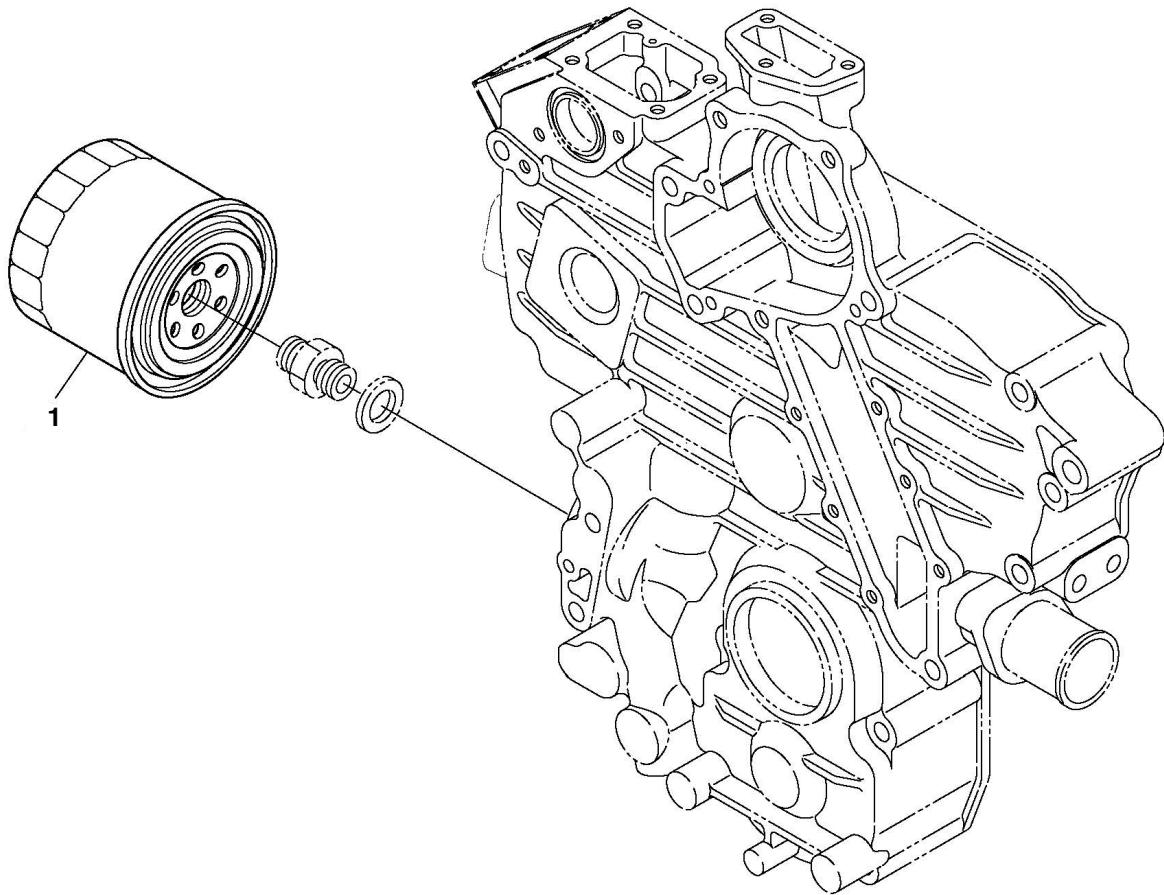
## V2203 Engine Service Parts Head Cover



Item	Part No.	Description	Qty
1	0503-2551	Clamp, Hose	1
2	0185-6722	Clamp, Hose	1
3	0185-6103	Pipe, Water Return	1
4	0181-0512	Cover, Breather	1
5	0181-9241	Comp Valve, Breather	1
6	0185-3055	Screw, Pan Head	4
7	0800-6330	Bolt	10
8	0185-5407	Plug (Oil Filler)	1
9	0509-0414	O-Ring	1
10	A052C437	Manifold, Inlet	1
11	A052C447	Gasket, Inlet	1
12	0115-0567	Gasket, Rocker Cover	1

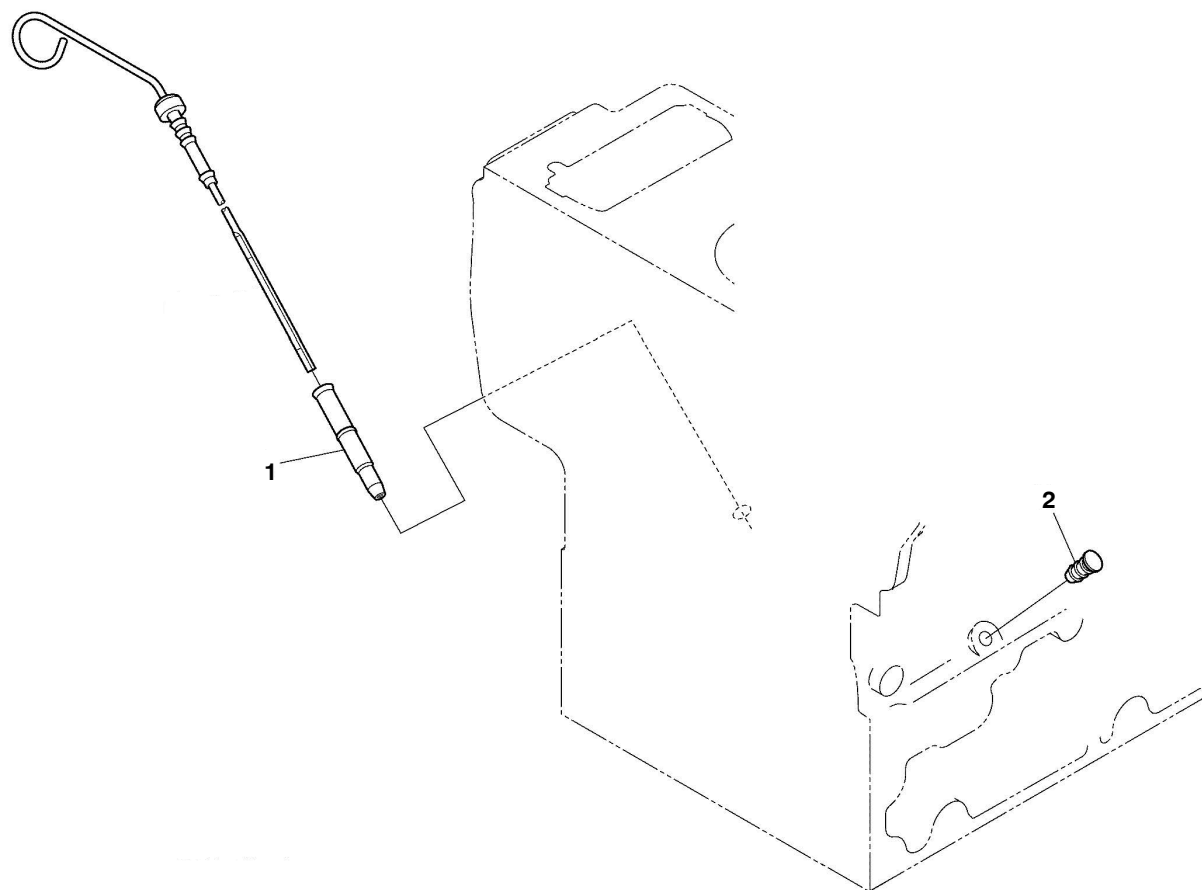
## V2203 Engine Service Parts

### Oil Filter



Item	Part No.	Description	Qty
1	A047B760	Filter, Oil	1

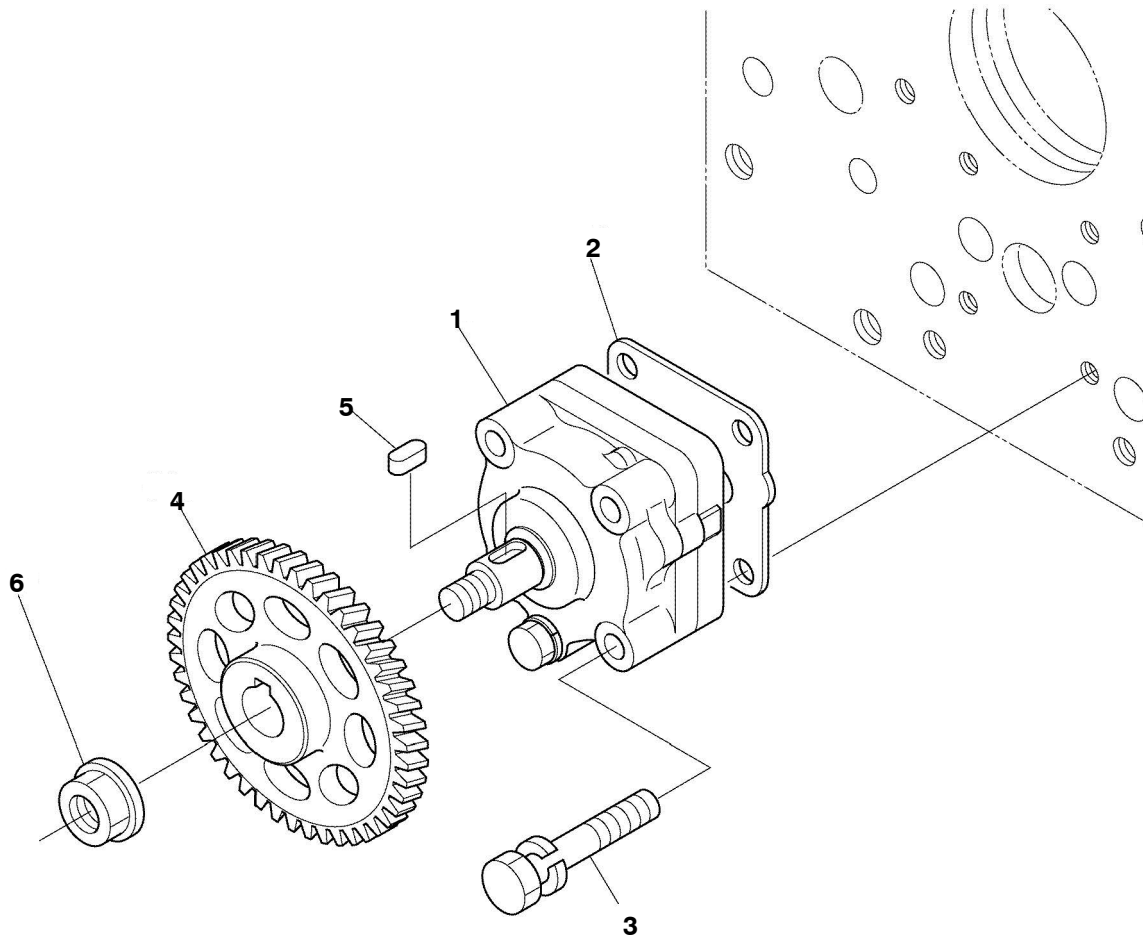
## V2203 Engine Service Parts Dip Stick and Guide



Item	Part No.	Description	Qty
1	0123-2262	Guide (Gauge, Oil)	1
2	0517-0386	Plug (Oil Gauge)	1

## V2203 Engine Service Parts

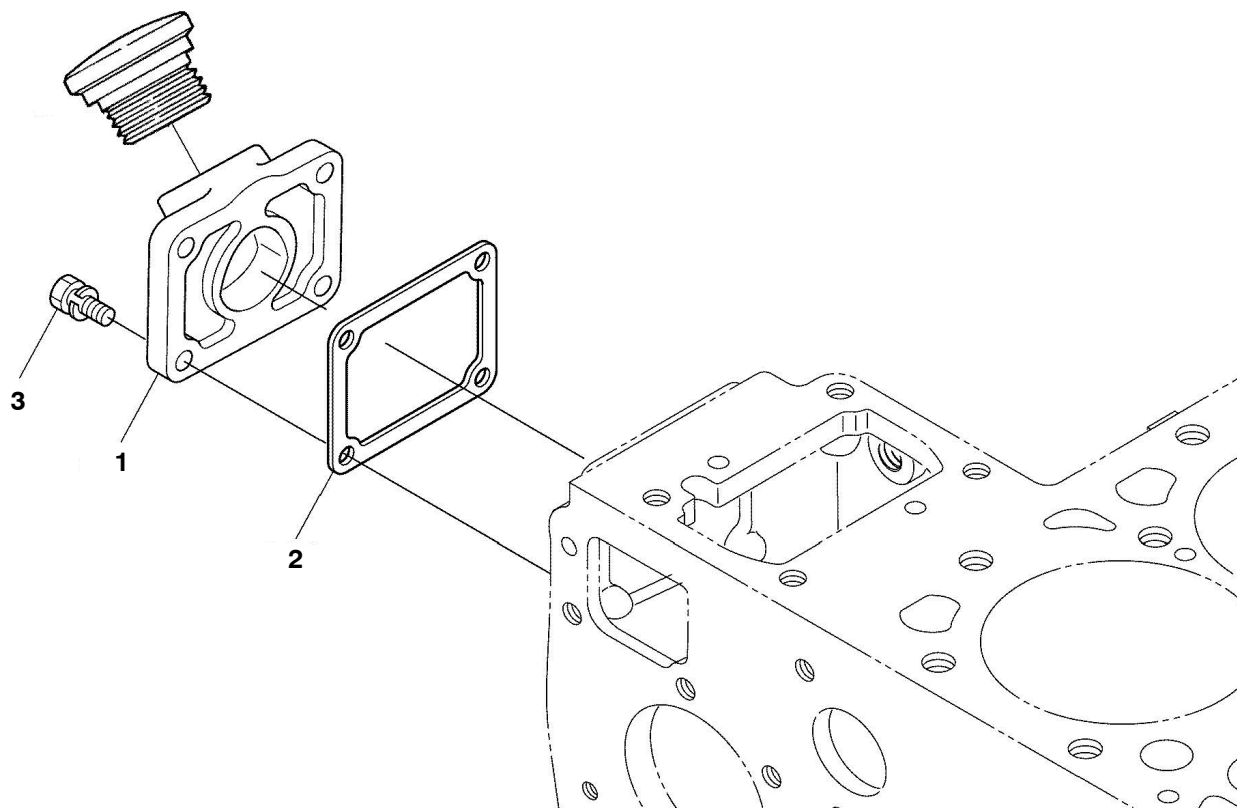
### Oil Pump



Item	Part No.	Description	Qty
1	A047B794	Pump, Oil - Assy.	1
2	0120-1355	Gasket, Oil Pump	1
3	0185-2394	Bolt, SEMS	4
4	A047B821	Gear (Oil Pump Drive)	1
5	0185-2352	Key, Feather	1
6	0185-7031	Nut	1

## V2203 Engine Service Parts

### Oil Filler Flange

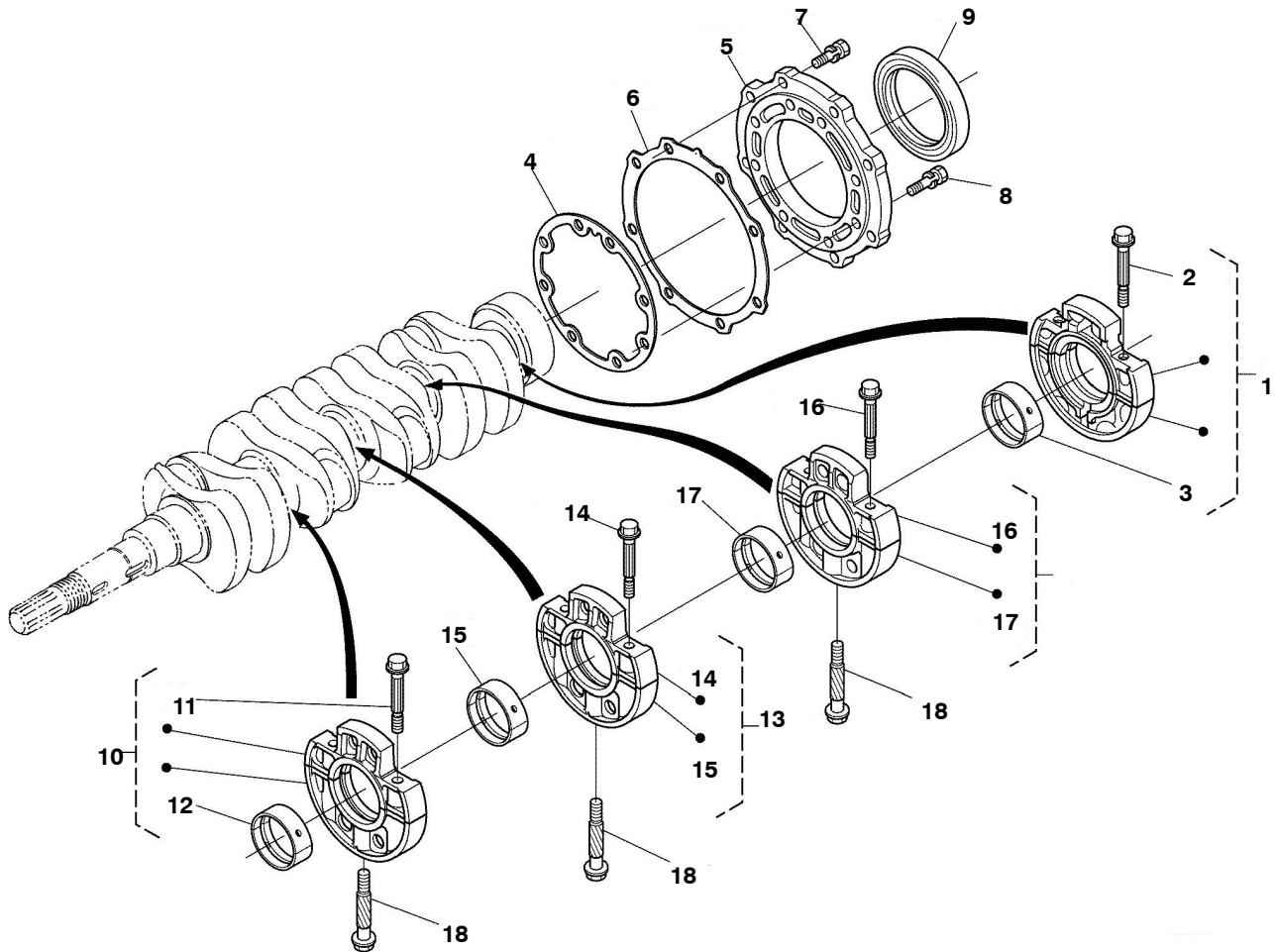


Item	Part No.	Description	Qty
1	0123-2429	Flange (Oil Filler)	1
2	0101-0837	Gasket (Pump Cover)	1
3	0185-2389	Bolt, SEMS	4



This page is Intentionally blank.

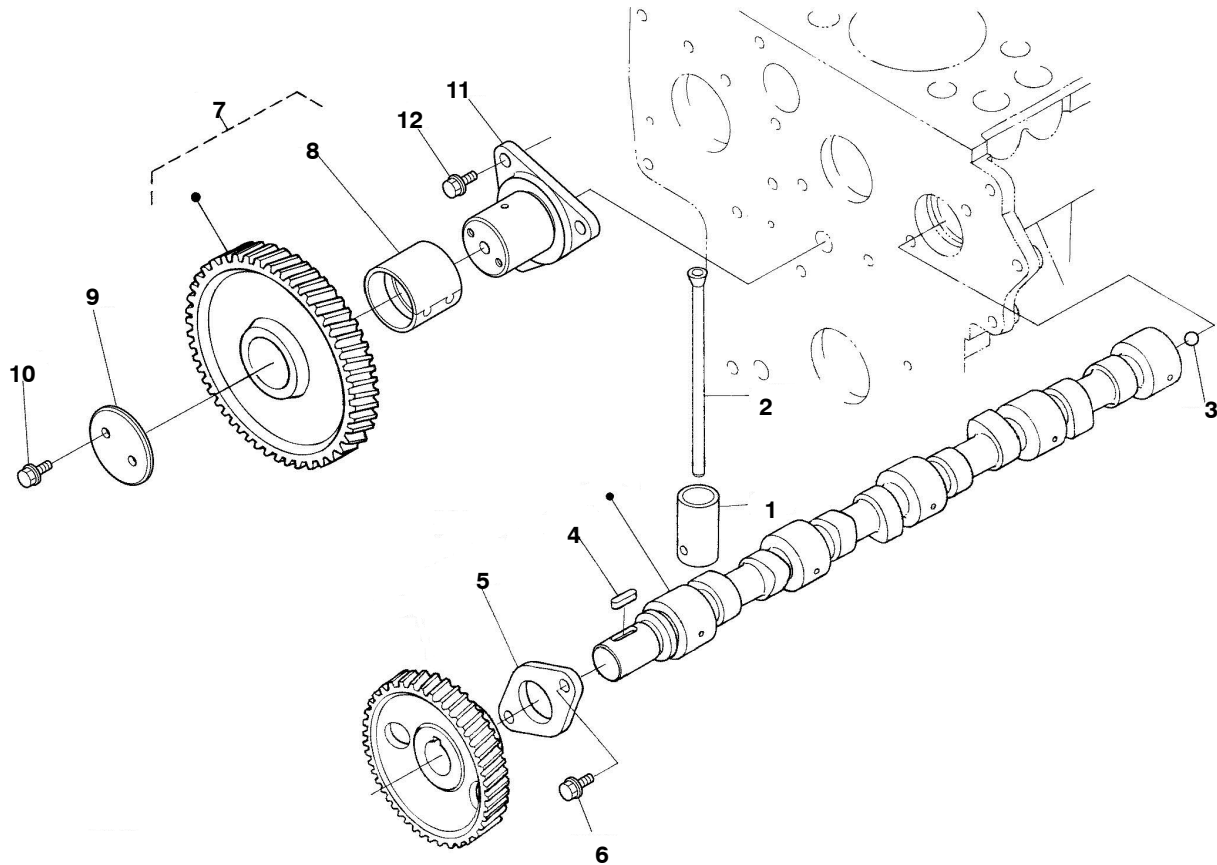
## V2203 Engine Service Parts Main Bearing Case



## Main Bearing Case

Item	Part No.	Description	Qty
1	A047B841	Brg. Case, Wheel – Assy.	1
2	0800-6329	Bolt, Bearing Case	2
3		Metal, Crankshaft	
	A047B843	Std Set	1
	0104-2039	-0.20mm Set	1
	0104-2040	-0.40mm Set	1
4	0101-0834	Gasket, Bearing Case	1
5	0232-4229	Cover, Bearing Case	1
6	0101-0835	Gasket, Case Cover	1
7	0185-3985	Bolt, SEMS	8
8	0185-2404	Bolt, SEMS	8
9	A047C086	Seal, Oil	1
10	A047C092	Brg. Case, Main – Assy.	1
11	0800-6329	Bolt, Bearing Case	2
12		Metal, Crankshaft	
	A047B843	Std Set	1
	0104-2039	-0.20mm Set	1
	0104-2040	-0.40mm Set	1
13	A047C135	Brg. Case, Main – Assy.	1
14	0800-6329	Bolt, Bearing Case	2
15		Metal, Crankshaft	
	A047B843	Std Set	1
	0104-2039	-0.20mm Set	1
	0104-2040	-0.40mm Set	1
16	0800-6329	Bolt, Bearing Case	2
17		Metal, Crankshaft	
	A047B843	Std Set	1
	0104-2039	-0.20mm Set	1
	0104-2040	-0.40mm Set	1
18	0185-5899	Bolt, Bearing Case	2

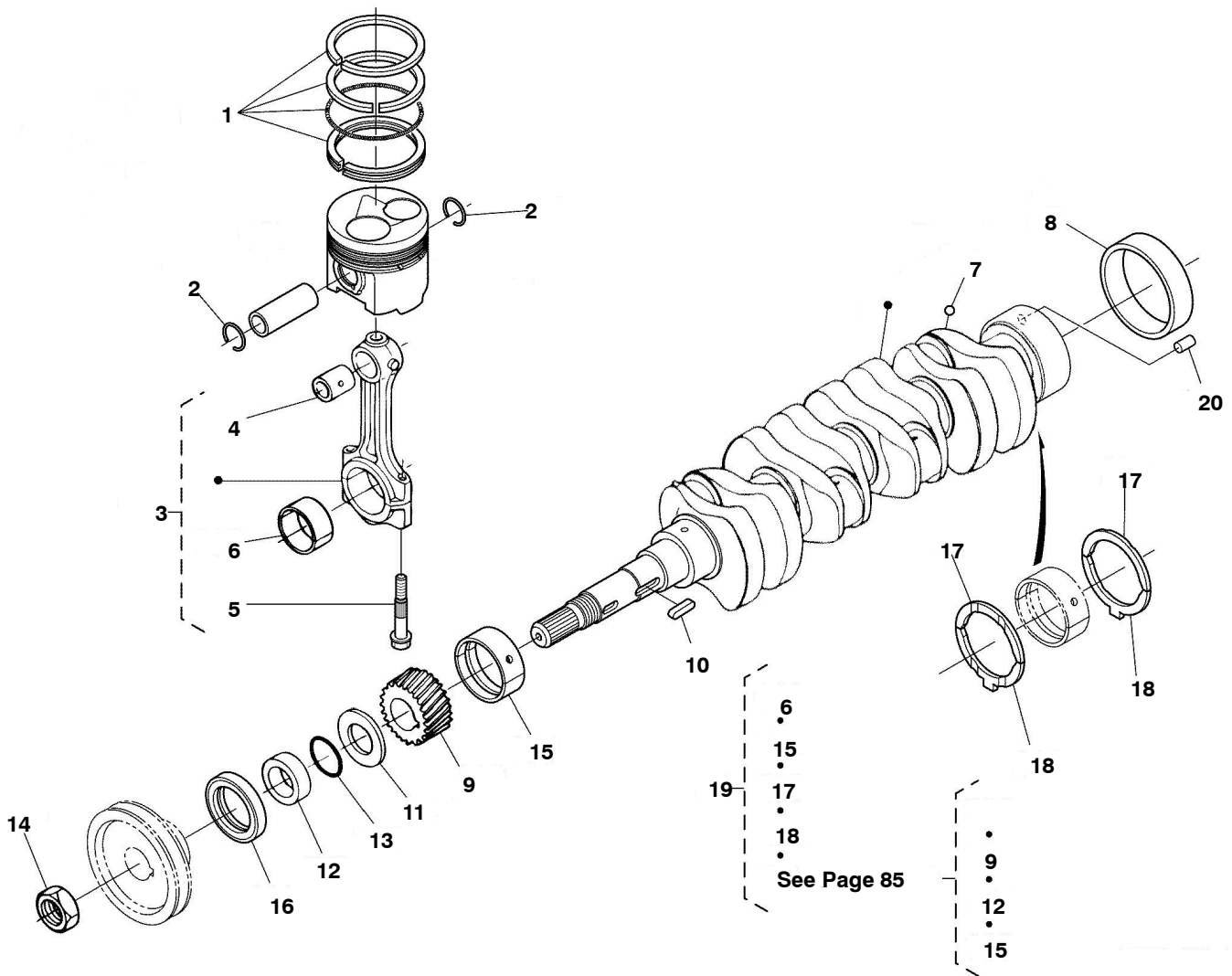
## V2203 Engine Service Parts Camshaft and Idle Gear Shaft



Item	Part No.	Description	Qty
1	A047C165	Tappet	8
2	0185-5901	Rod, Push	8
3	0185-5924	Ball (1/4)	1
4	0185-5905	Key, Feather	1
5	0185-5906	Stopper (Camshaft)	1
6	0185-2573	Bolt, Flange	2
7	A047C194	Gear, Idle – Complete	1
8	A047C196	Bushing (Idle Gear)	1
9	A047C201	Collar (Idle Gear)	1
10	0800-6513	Bolt, Flange	2
11	A047C429	Shaft, Idle Gear	1
12	0185-2573	Bolt, Flange	3

This page is Intentionally blank.

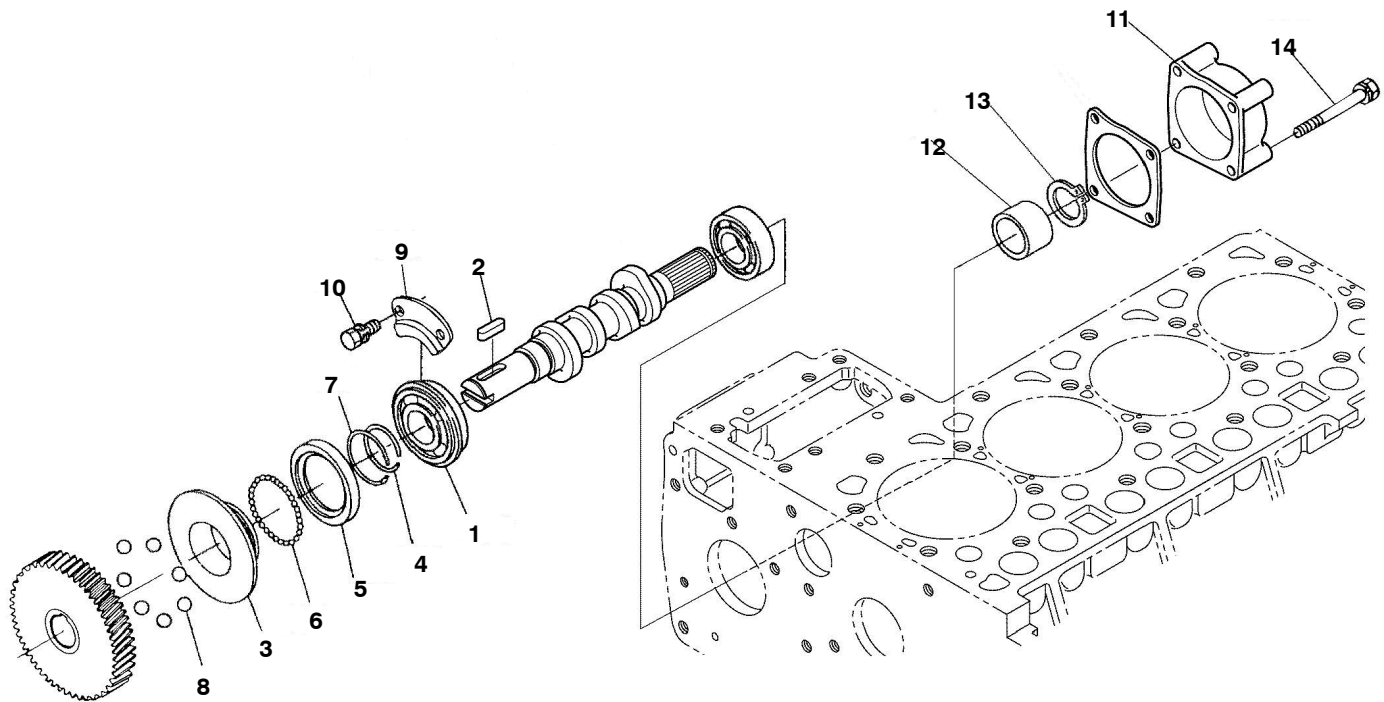
## V2203 Engine Service Parts Piston and Crankshaft



## Piston and Crankshaft

Item	Part No.	Description	Qty
1		Ring, Piston – Assy.	
	0541-1168	STD	4
	0541-1169	+0.25mm	4
2	0518-0732	Circlip, Int	8
3	A047C486	Rod, Connecting – Assy.	4
4	A047C490	Bush, Piston Pin	4
5	A047C509	Bolt (Rod, Connecting)	8
6		Metal, Crankpin	
	A047C530	STD Set	4
	A047C533	-40mm Set	4
7	0185-5924	Ball (1/4)	4
8	0185-5925	Bush, Crankshaft	1
9	0507-0006	Gear, Crankshaft	1
10	0515-0320	Key, Feather	1
11	0185-5927	Oil, Slinger	1
12	0185-5928	Collar, Crankshaft	1
13	0185-5929	O-Ring	1
14	0185-5930	Nut, Crankshaft	1
15		Metal, Crankshaft	
	A047D068	STD	1
	0104-2037	-0.20mm	1
	0104-2038	-0.40mm	1
16	A047D095	Seal, Oil	1
17		Metal, Side	
	0104-2034	STD	2
	0104-2041	-0.20mm	2
	0104-2042	-0.40mm	2
18		Metal, Side	
	A047D093	STD	2
	0104-2043	+0.20mm	2
	0104-2044	+0.40mm	2
19		Kit, Metal	
	A026D557	-0.20mm/+0.20mm	1
	A026D562	-0.40mm/+0.40mm	1
20	A047C759	Pin, Straight	1

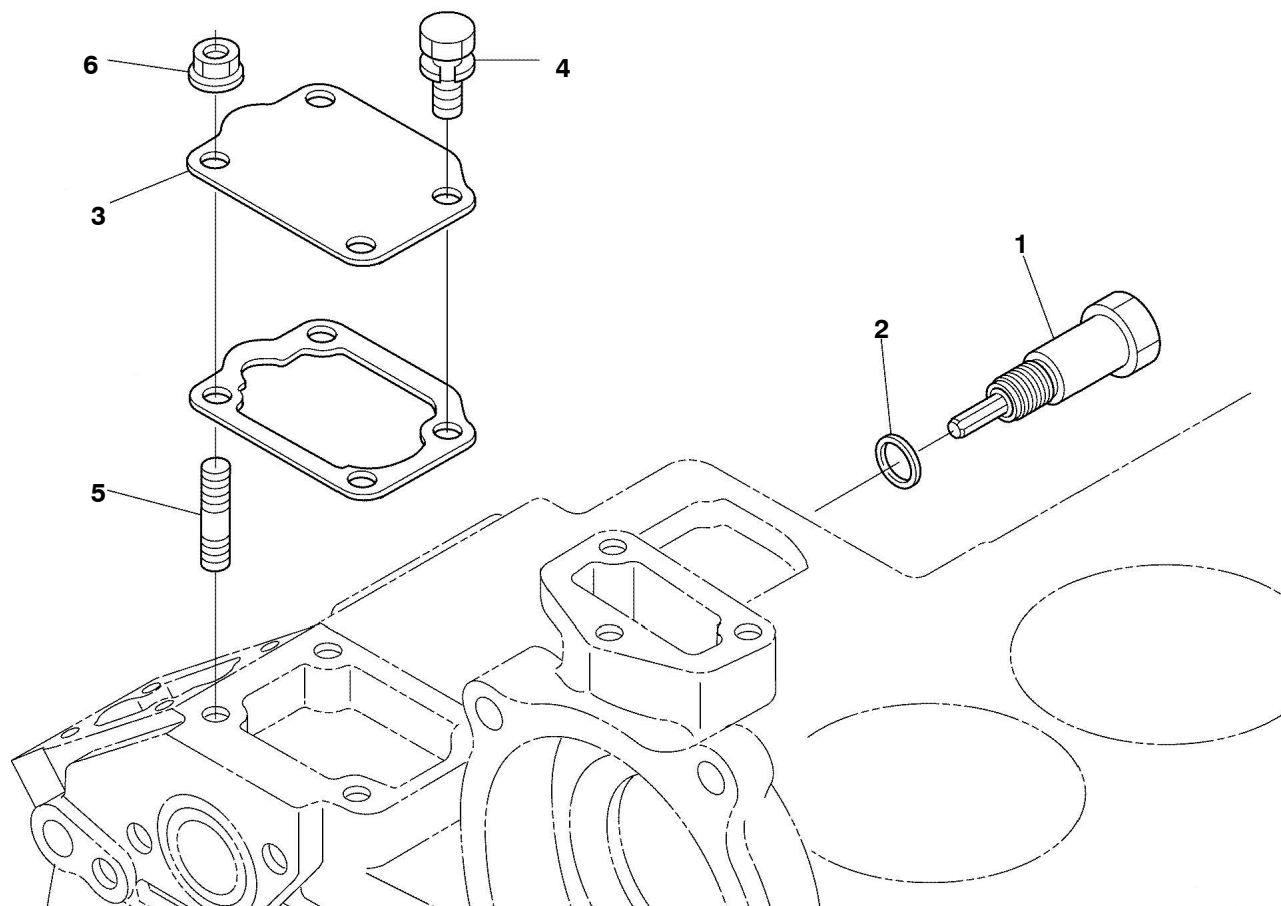
## V2203 Engine Service Parts Fuel Camshaft and Governor Shaft



Item	Part No.	Description	Qty
1	A047D222	Gear, Injection Pump	1
2	0185-5949	Feather Key	1
3	A047D239	Sleeve (Governor)	1
4	0518-0712	Circlip Governor Sleeve	1
5	A047D243	Case (Governor Ball)	1
6	0150-0740	Ball (5/32)	39
7	0518-0713	Circlip	1
8	0150-0740	Ball	7
9	0185-5962	Stopper (Fuel C/Shaft)	1
10	0185-3009	Bolt, SEMS	2
11	A047D251	Cover, Fuel Camshaft	1
12	A026D566	Collar	1
13	0185-5963	Cir-Clip, External	1
14	0185-6773	Bolt, SEMS	4

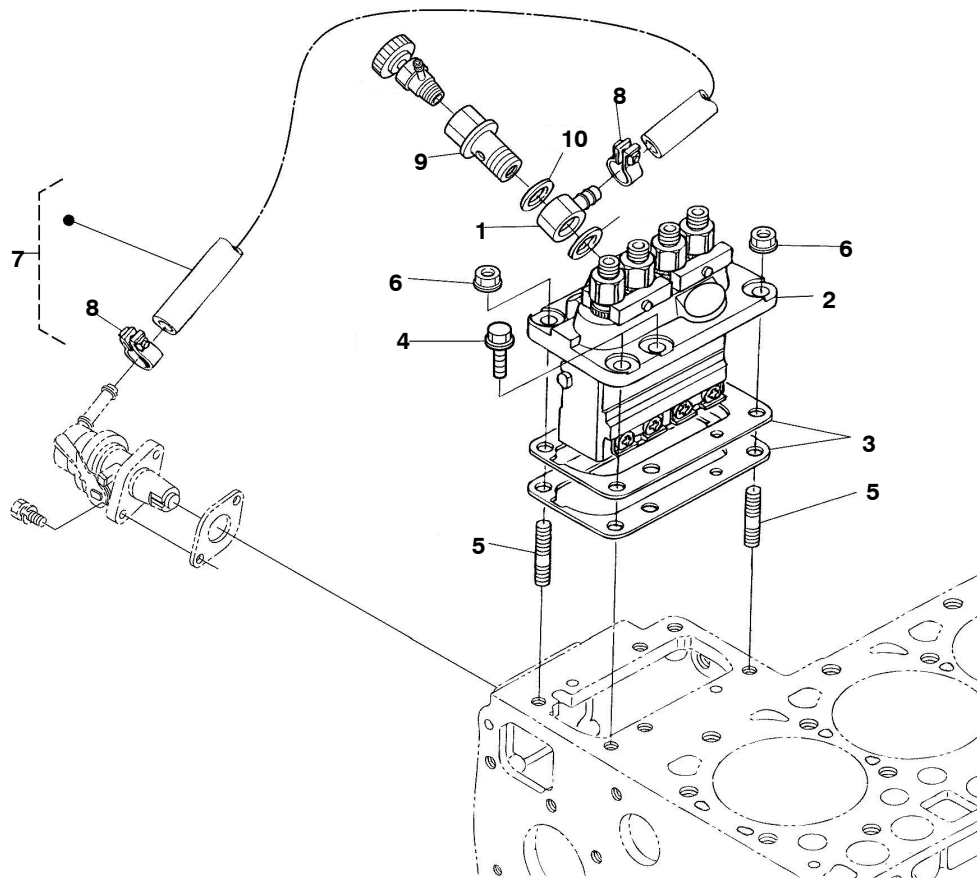


## V2203 Engine Service Parts Idle Apparatus



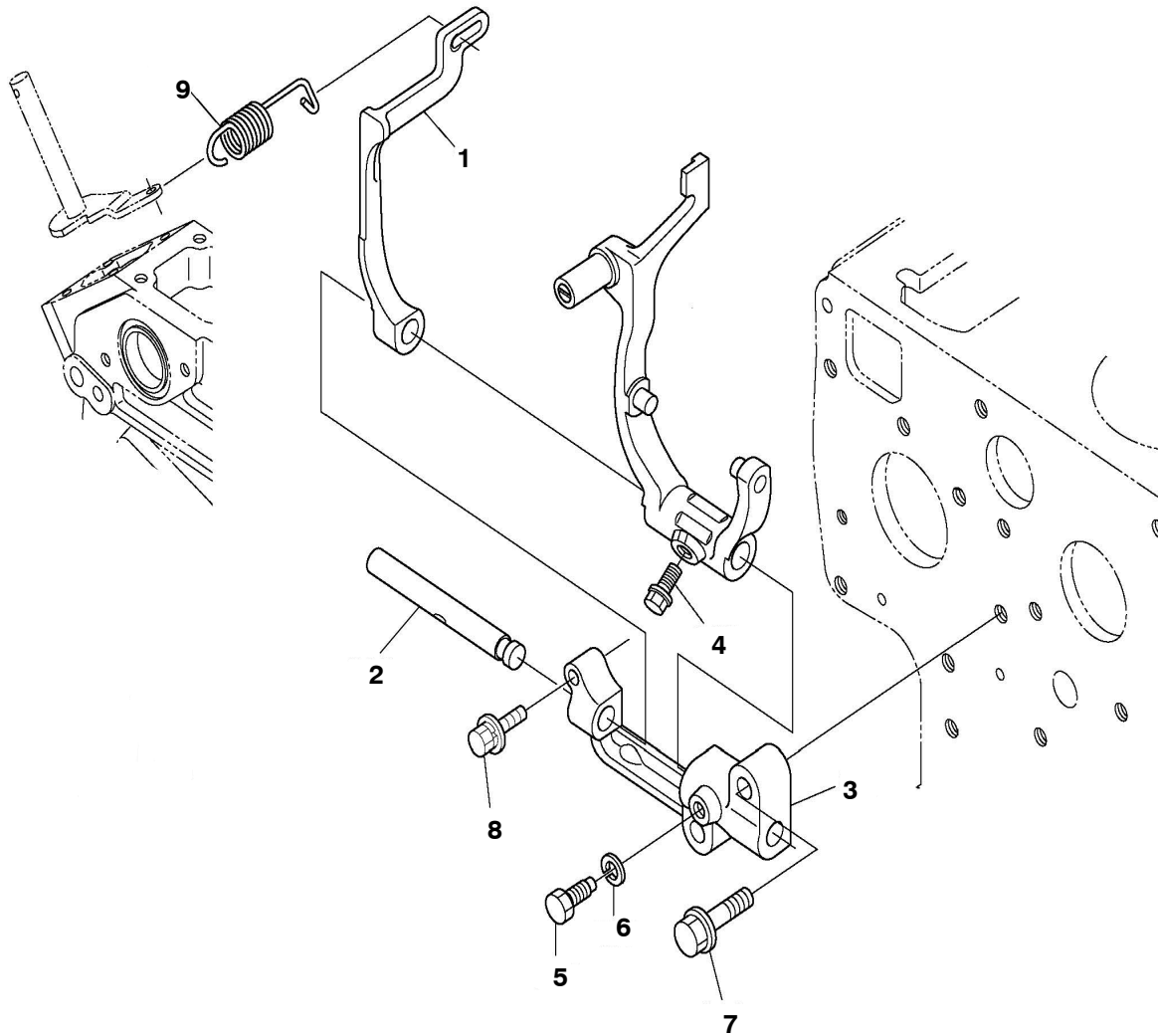
Item	Part No.	Description	Qty
1	A047D278	Apparatus, Idling	1
2	0509-0418	Gasket	1
3	0232-4230	Cover	1
4	0185-2388	Bolt, SEMS	2
5	0185-5727	Stud	2
6	0185-7166	Nut, Flange	2

## V2203 Engine Service Parts Injection Pump



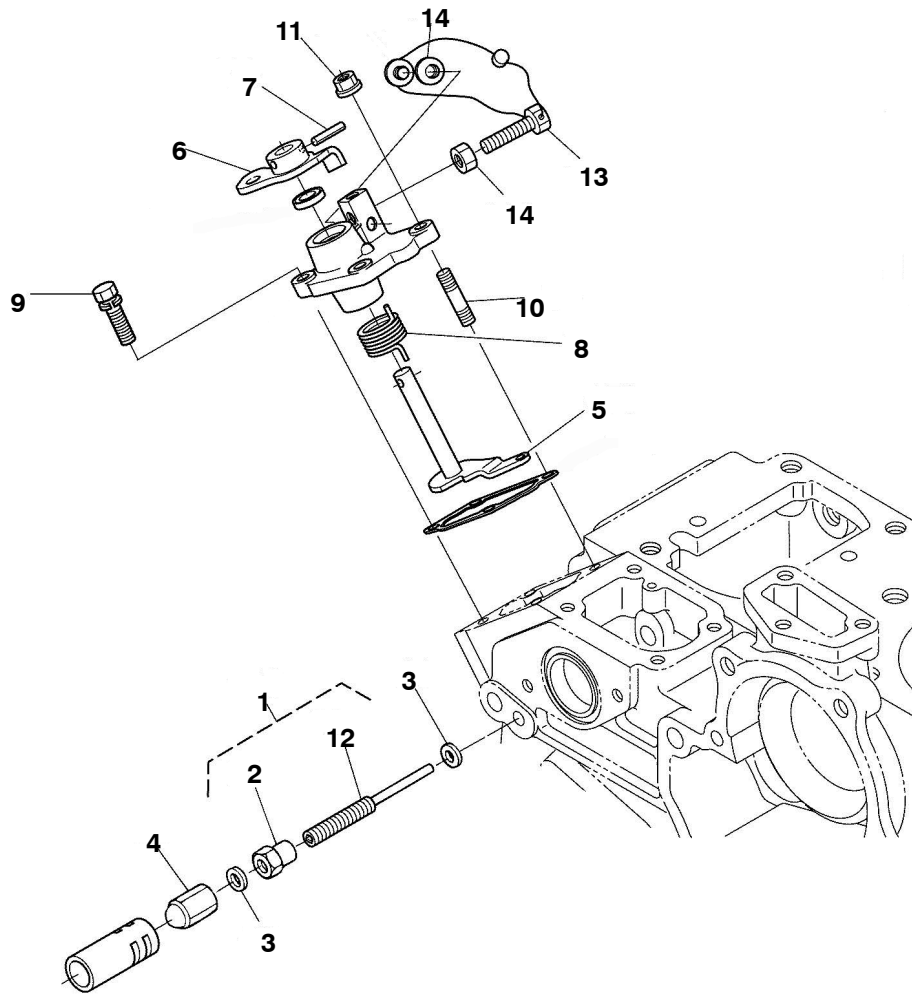
Item	Part No.	Description	Qty
1	0185-6991	Joint, SWV Pipe	1
2	0147-0902	Assy Pipe, Injection	1
3		Shim, Injection Pump	
	0185-6756	0.200mm	1
	0185-6757	0.250mm	1
	0185-6758	0.300mm	1
4	0800-6333	Bolt, Flange	4
5	0185-6033	Stud	2
6	0185-7134	Nut, Flange	2
7	0185-5979	Assy Cock, Jet Start	1
8	0185-2336	Clip, Pipe	2
9	A047D299	Bolt (Joint, SWV Pipe)	1
10	A047D313	Gasket	2

**V2203 Engine Service Parts**  
**Governor**



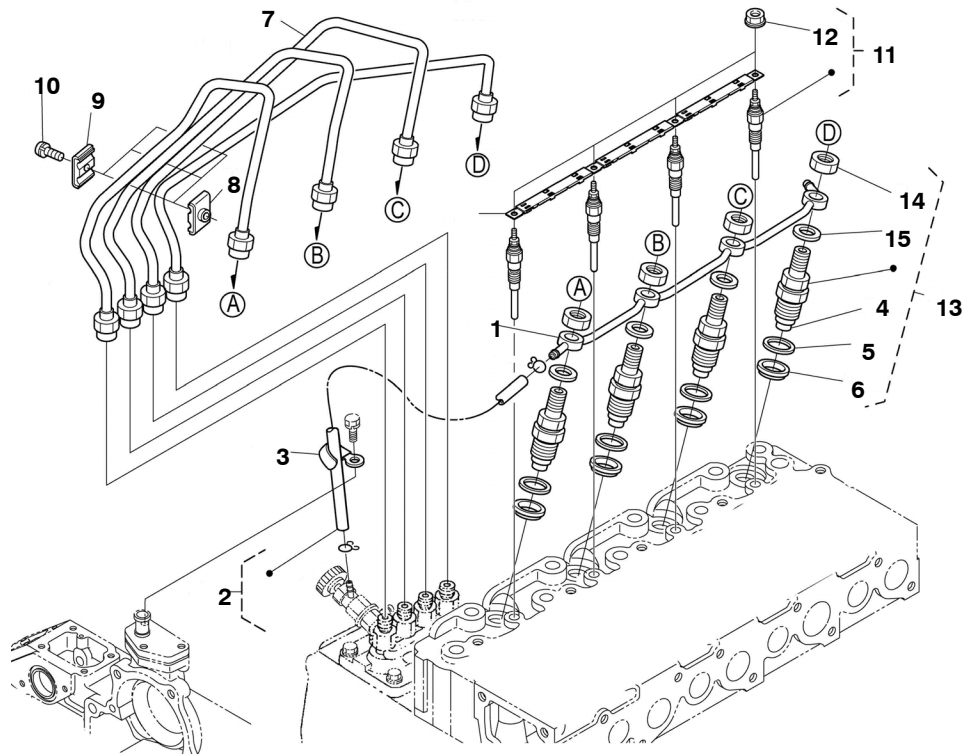
Item	Part No.	Description	Qty
1	0150-2842	Lever (Fork)	1
2	0150-2805	Shaft (Fork Lever)	1
3	0150-2836	Holder, Fork Lever	1
4	A026E389	Bolt, Flange	1
5	0800-6306	Bolt	1
6	0850-2083	Washer, Spring Lock	1
7	0800-6334	Bolt, Flange	2
8	0185-2561	Bolt	1
9	A047D613	Spring (Governor, 1)	1

## V2203 Engine Service Parts Speed Control Plate



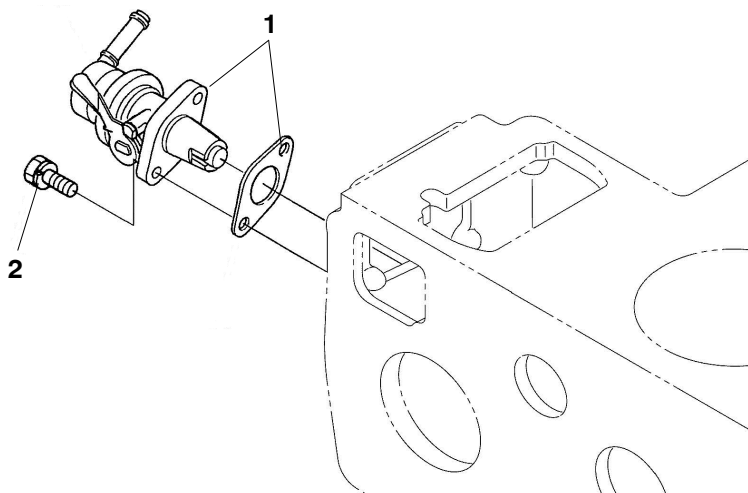
Item	Part No.	Description	Qty
1	0150-2840	Bolt, Assy (Adjustment)	1
2	0860-2032	Nut	1
3	0185-2284	Gasket	2
4	0185-5529	Nut, Cap	1
5	0150-2841	Lever Comp (Governor)	1
6	A047D803	Lever, Speed Control	1
7	0185-5551	Pin, Spring	1
8	0506-0027	Spring (Return)	1
9	0185-2390	Bolt, SEMS	2
10	0185-2105	Stud	2
11	0185-7166	Nut, Flange	2
12	0800-6307	Bolt (Adjusting)	1
13	0181-9205	Bolt	1
14	0181-9013	Hex, Nut	2

## V2203 Engine Service Parts Nozzle Holder and Glow Plug



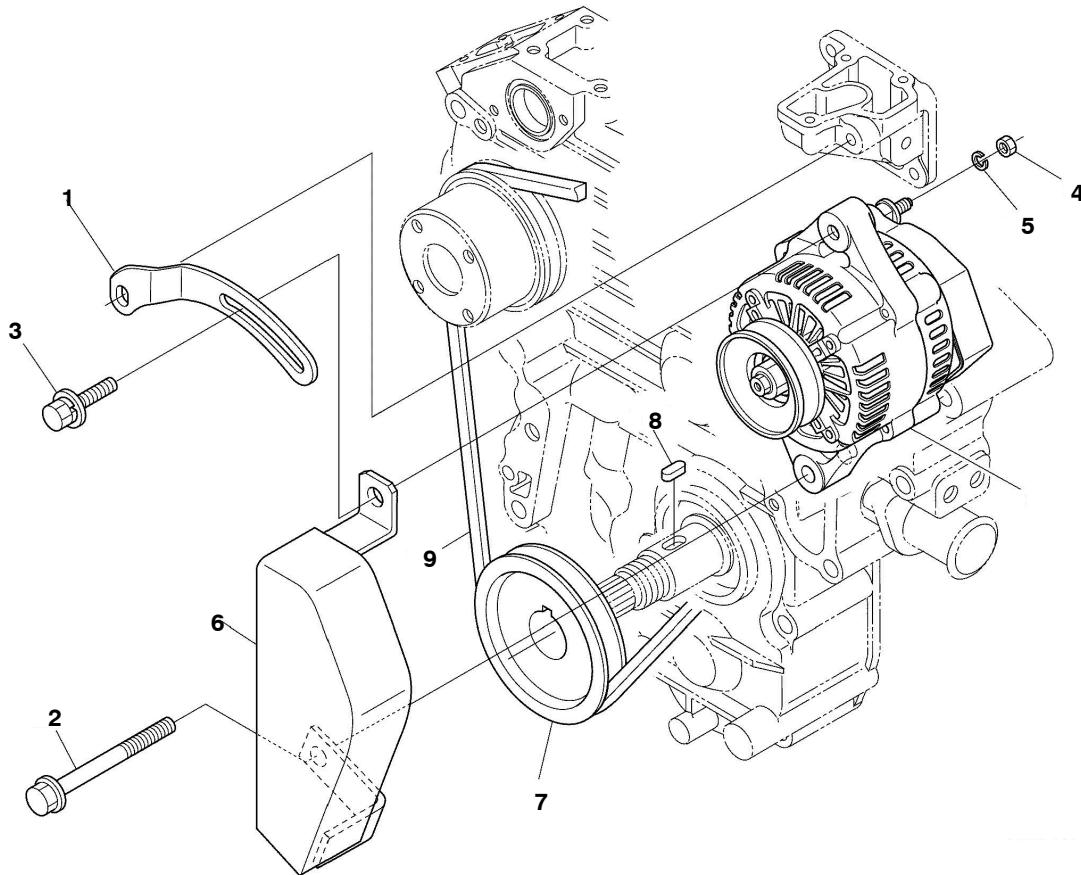
Item	Part No.	Description	Qty
1	A026D568	Pipe, Assy (Overflow)	1
2	A047D822	Tube, Fuel – Assy	1
3	0185-5140	Clamp, Cord	1
4	0185-6095	Nozzle, Piece	4
5	0185-5337	Gasket	4
6	0185-5985	Seal (Heat)	4
7	0501-0886	Pipe, Injection	1
8	0185-5612	Clamp (Pipe)	3
9	0185-2345	Clamp (Pipe)	3
10	0185-2385	Screw, SEMS (Pan Head)	3
11	A047D863	Glow Plug	4
12	0185-5615	Nut, Flange	4
13	A003L222	Kit Holder, Nozzle	4
14	A046X510	Nut	4
15	0185-5621	Washer	4

## V2203 Engine Service Parts Fuel Pump (Mechanical)



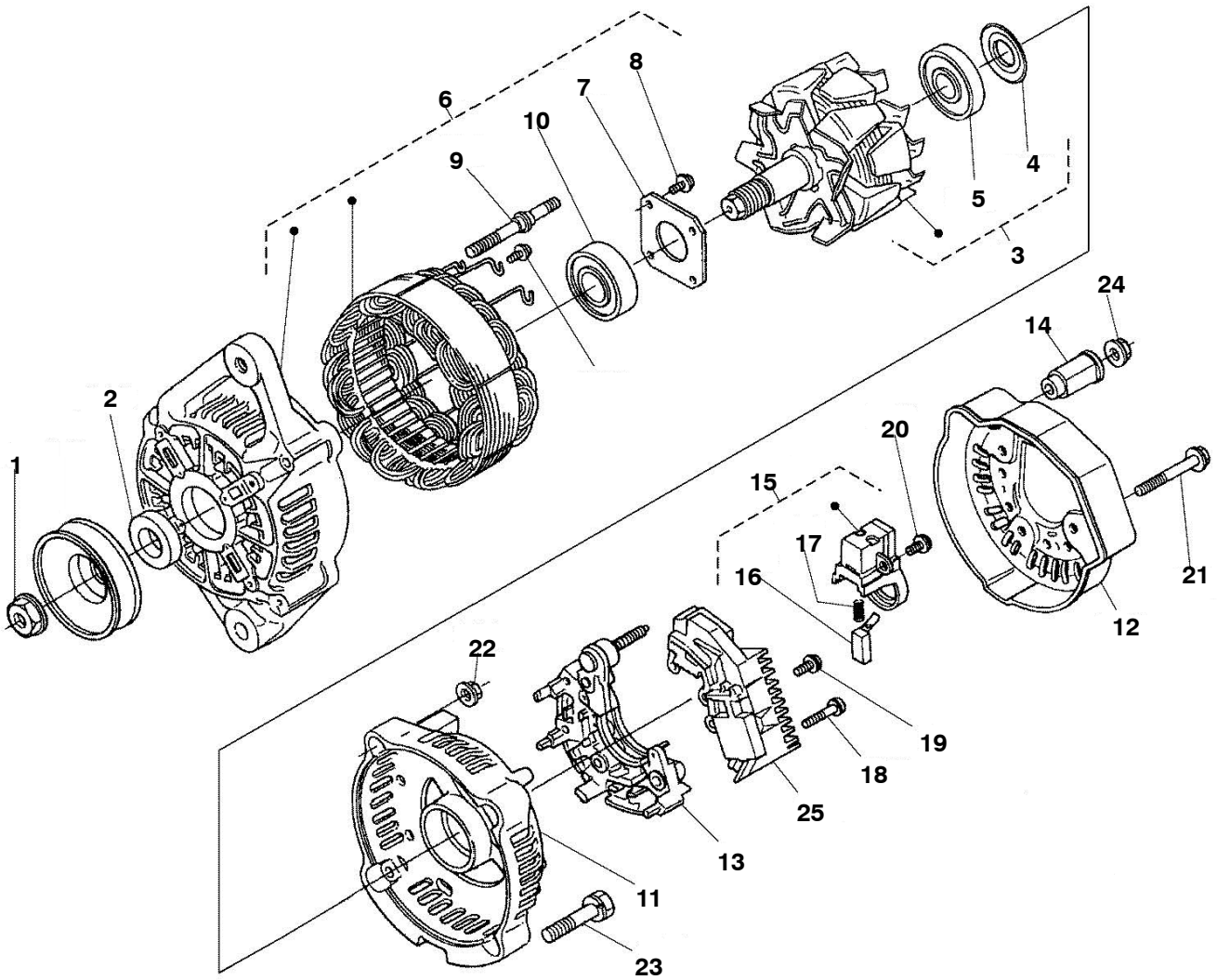
Item	Part No.	Description	Qty
1	0185-5993	Pump, Fuel – Assy.	1
2	0185-2388	Bolt, SEMS	2

## V2203 Engine Service Parts Alternator and Pulley



Item	Part No.	Description	Qty
1	0403-7297	Stay (Dynamo)	1
2	A042M915	Bolt, Flange	1
3	0181-9008	Bolt, SEMS (Large Washer)	1
4	0181-9013	Hex, Nut	1
5	0181-2380	Washer, Spring Lock	1
6	0185-5570	Cover, Alternator	1
7	A026D585	Pulley, Fan Drive	1
8	0185-5905	Key, Feather	1
9	A026D586	V-Belt (39")	1

## V2203 Engine Service Parts Alternator



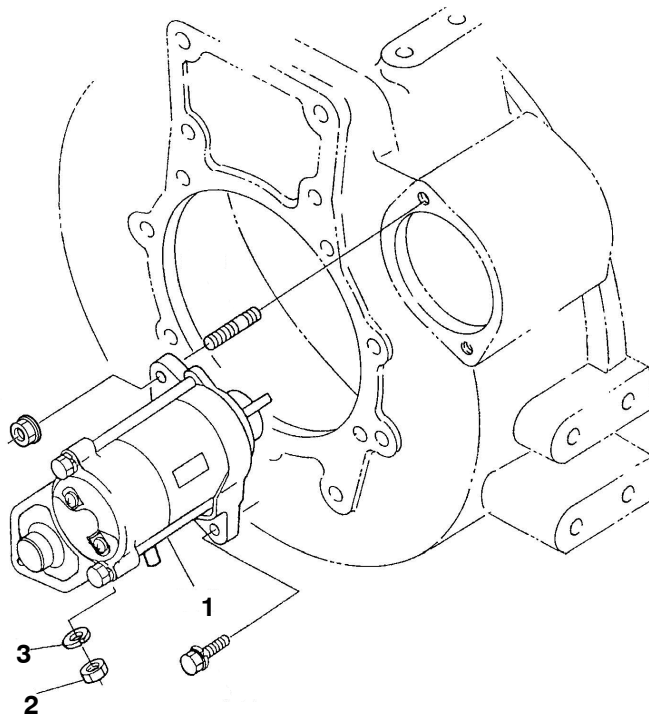


## Alternator

Item	Part No.	Description	Qty
1	0185-5768	Nut	1
2	0185-5769	Collar	1
3	0185-9263	Rotor	1
4	0185-5771	Cover (Bearing)	1
5	0185-6811	Brg, Ball	1
6	0185-9262	Frame, Assy (Drive End)	1
7	0185-5774	Plate (Retainer)	1
8	0185-5775	Screw, Round Head	4
9	0185-5776	Bolt (Through)	2
10	0181-9148	Brg, Ball	1
11	0185-6188	Frame (End)	1
12	0185-9097	Cover (End)	1
13	0185-6638	Rectifier, Assy	1
14	0185-6191	Bushing, Insulation	1
15	0185-6819	Holder, Brush	1
16	0185-5783	Brush	2
17	0185-5784	Spring (Brush)	2
18	0185-5785	Screw, Round Head	2
19	0185-5786	Screw, Round Head	6
20	0185-5787	Screw, Round Head	1
21	0185-5788	Bolt	3
22	0185-5789	Nut	2
23	0185-5790	Bolt	2
24	0185-2961	Nut	1
25	0181-9257	Assy Regulator	1

## V2203 Engine Service Parts

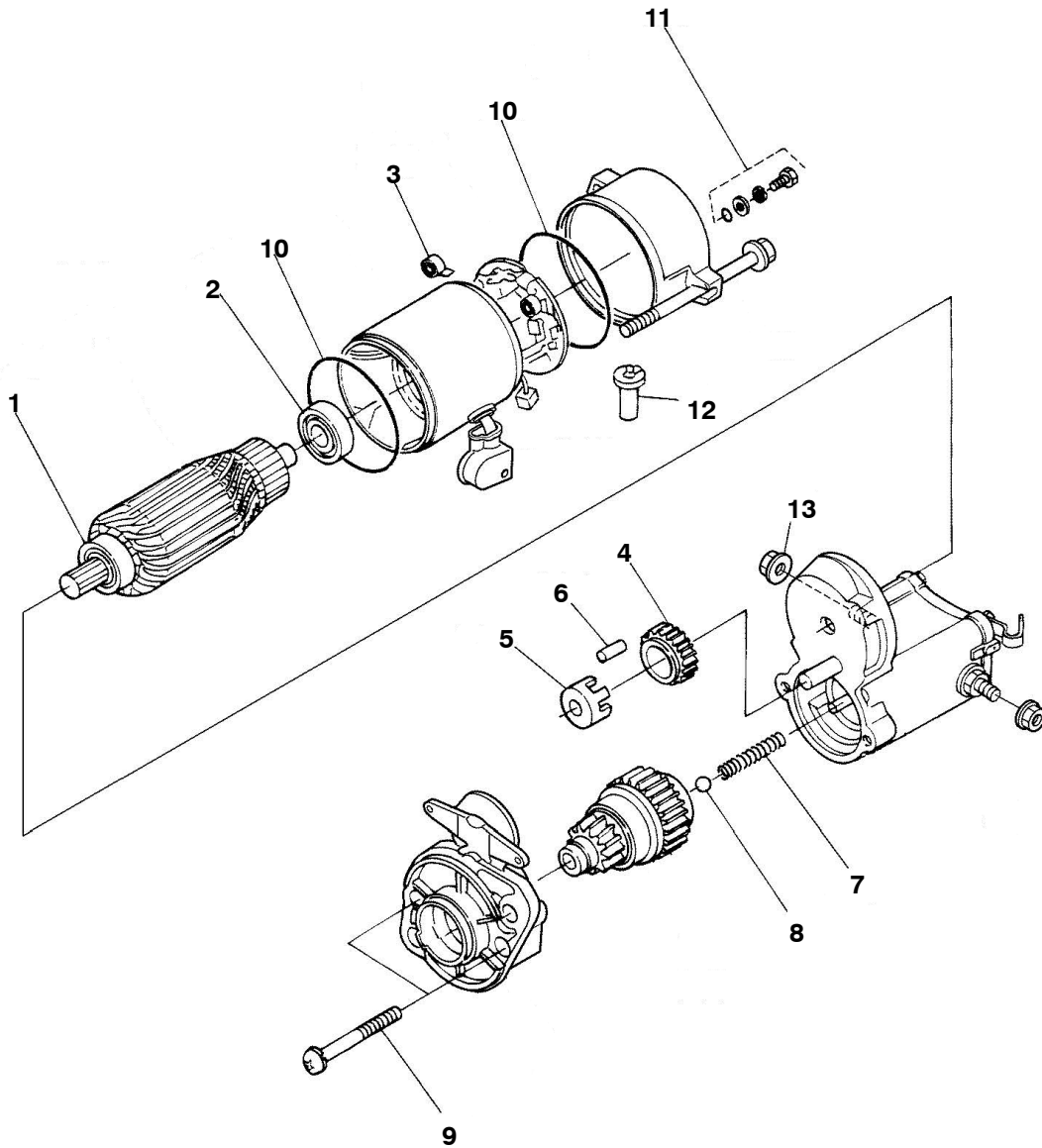
### Starter



Item	Part No.	Description	Qty
1	A049G306	Assy Starter	1
2	0185-2366	Hex, Nut	1
3	0185-2381	Washer, Spring Lock	1

This page is Intentionally blank.

## V2203 Engine Service Parts Starter Components

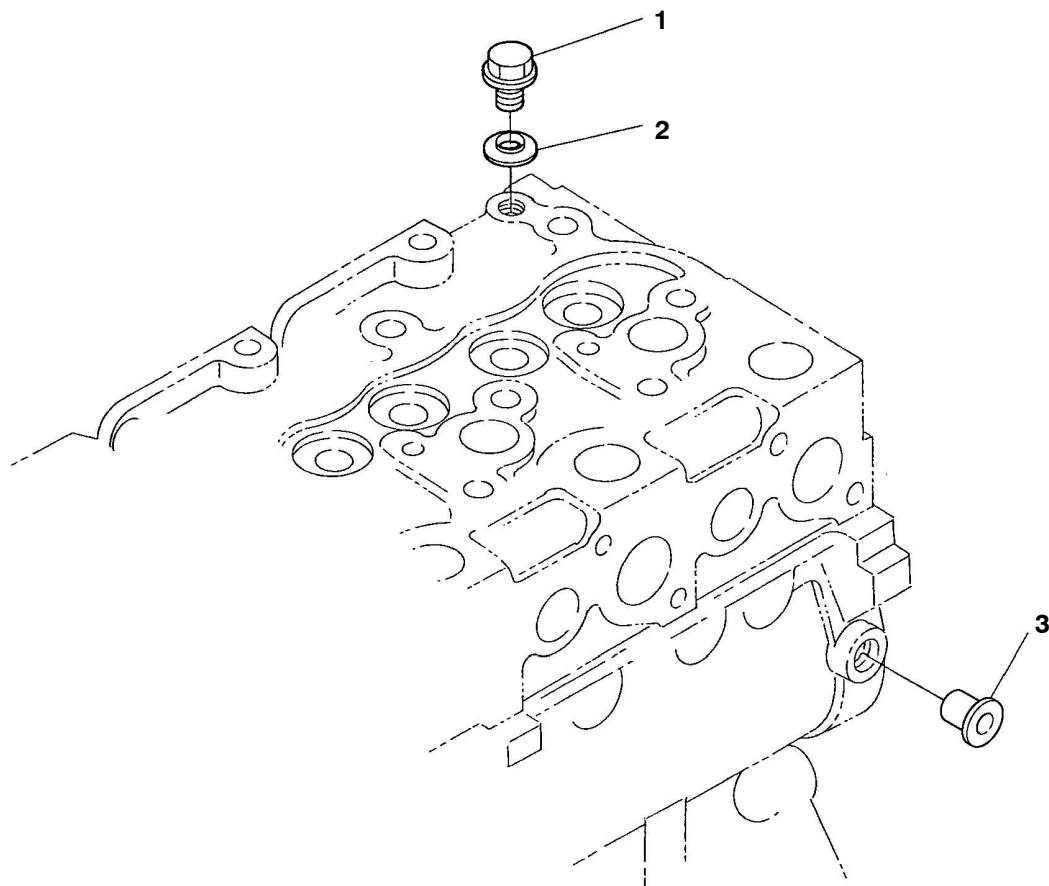


## Starter Components

Item	Part No.	Description	Qty
	A049G306	Assy Starter (Includes parts Listed Below)	1
1	0181-9030	Bearing	1
2	0181-9031	Bearing	1
3	0185-6358	Spring (Brush)	4
4	0181-9025	Gear	1
5	0181-9026	Retainer	1
6	0181-9198	Roller	5
7	0181-9027	Spring	1
8	0181-9199	Ball	1
9	0185-6653	Bolt	2
10	0181-9043	O-Ring	2
11	0185-6655	Bolt, Assy	2
12	0185-6660	Pipe (Drain)	1
13	0185-6656	Nut (Hexagon)	1

## V2203 Engine Service Parts

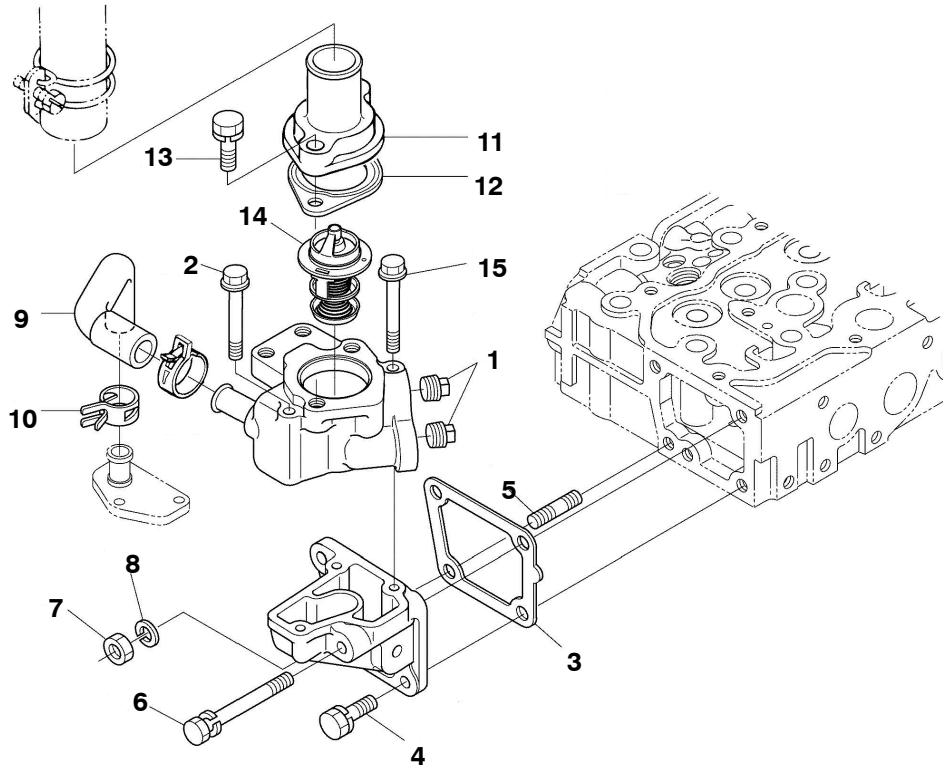
### Plug



Item	Part No.	Description	Qty
1	0185-5867	Plug	1
2	0185-5868	Washer, Seal	1
3	0185-6039	Plug	1

## V2203 Engine Service Parts

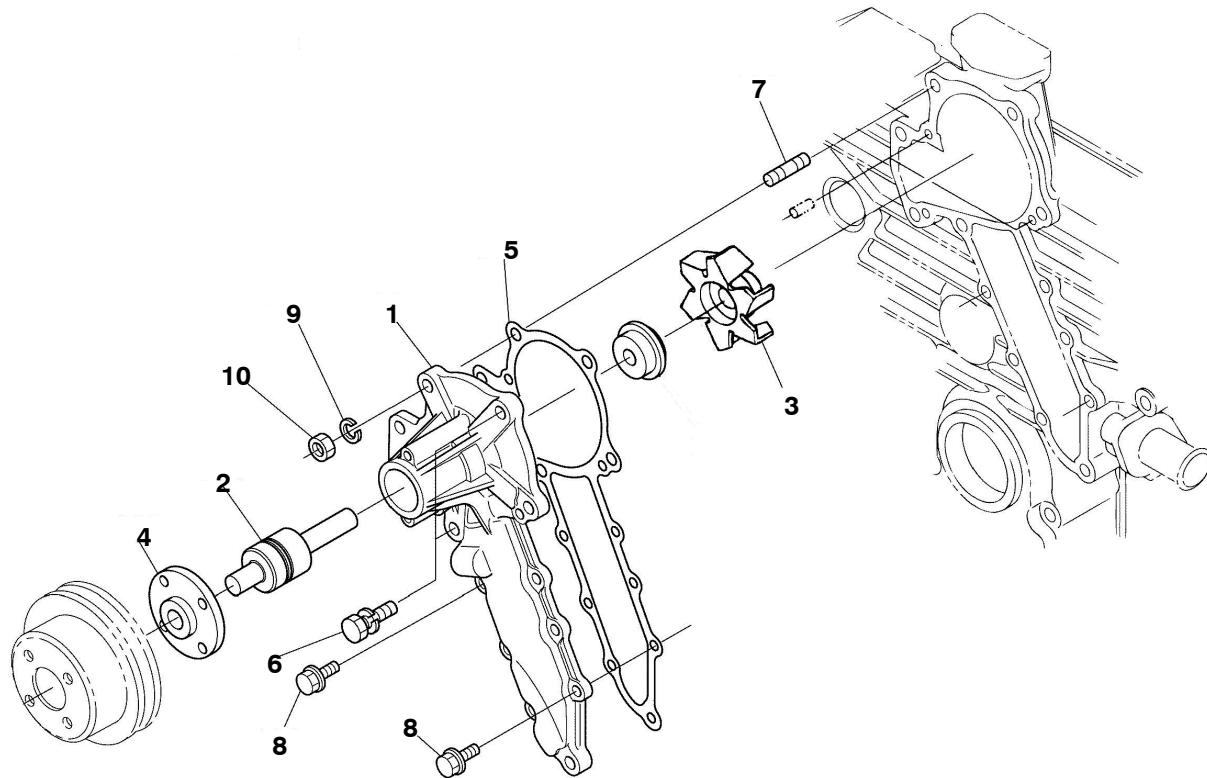
### Water Flange and Thermostat



Item	Part No.	Description	Qty
1	0517-0441	Plug	2
2	0800-6331	Bolt, Flange	2
3	0130-6334	Gasket (Flange, Water)	1
4	0185-2401	Bolt, SEMS	2
5	0185-6033	Stud	1
6	0800-6328	Bolt	1
7	0185-2367	Hex, Nut	1
8	0185-2381	Washer, Spring Lock	1
9	0503-2553	Pipe (Water Return)	1
10	0503-2552	Band, Hose	1
11	0185-7298	Cover (Thermostat)	1
12	0130-6364	Gasket (Thermostat)	1
13	0185-2565	Bolt, SEMS	2
14	0130-6329	Assy Thermostat	1
15	0800-6332	Bolt, Flange	1

## V2203 Engine Service Parts

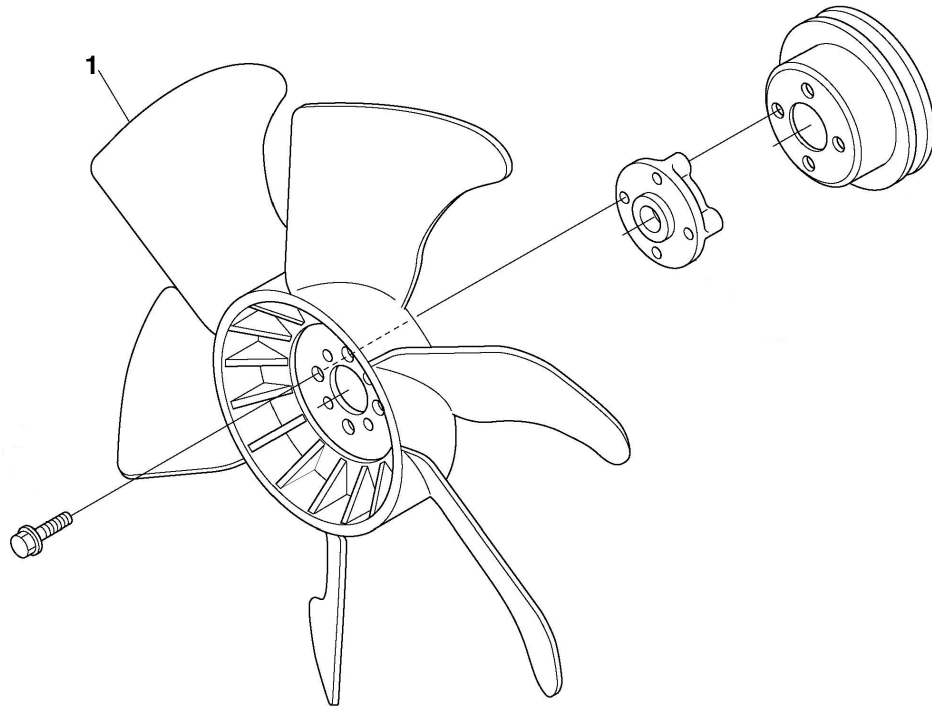
### Water Pump



Item	Part No.	Description	Qty
	0132-0526	Pump, Water – Complete Assembly	1
1	A047E428	Body, Water Pump	1
2	0510-0215	Bearing	1
3	0132-0444	Impeller (Water Pump)	1
4	0130-6347	Flange (Pump, Water Shaft)	1
5	0132-0447	Gasket, Water Pump	1
6	0185-2404	Bolt, SEMS	2
7	0520-2655	Bolt, Stud	1
8	A026E389	Bolt, Flange	6
9	0185-2381	Washer, Spring Lock	1
10	0185-2367	Nut, Hex	1

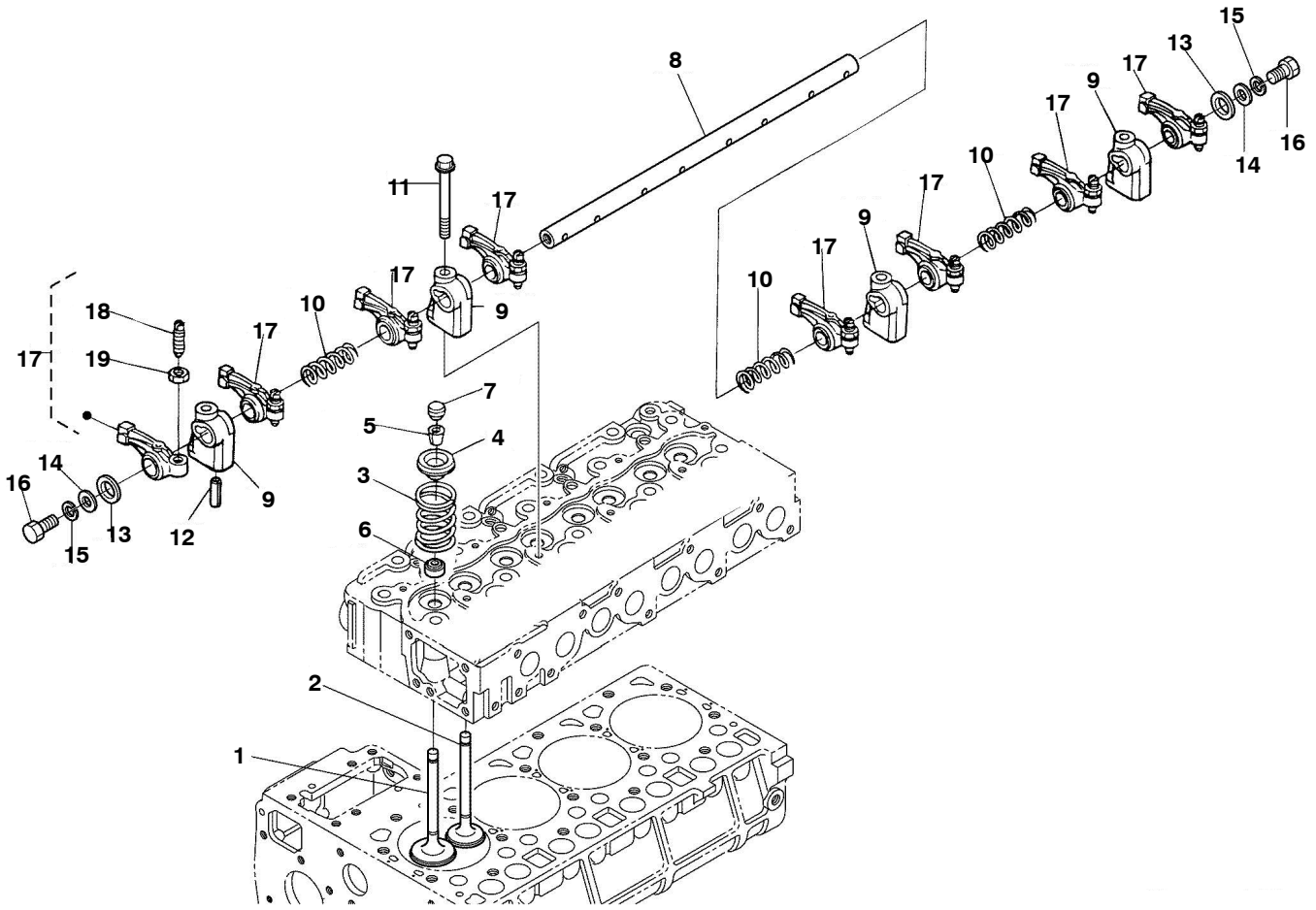


## V2203 Engine Service Parts Cooling Fan



Item	Part No.	Description	Qty
1	A045R294	Fan, FP410	1

## V2203 Engine Service Parts Valve and Rocker Arm

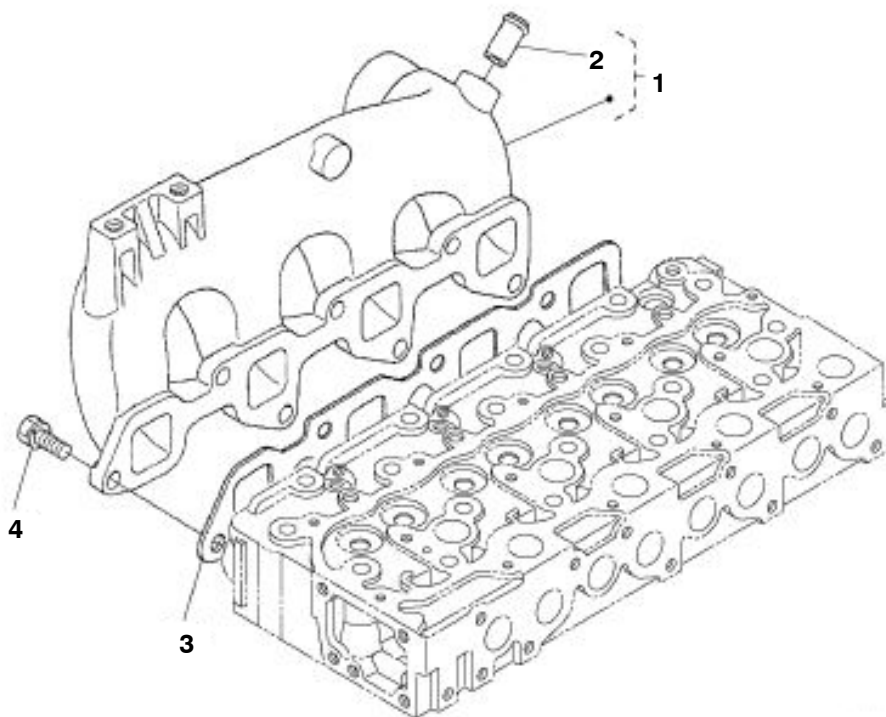


## Valve and Rocker Arm

Item	Part No.	Description	Qty
1	A047E699	Valve, Inlet	4
2	A047E738	Valve, Exhaust	4
3	A047E760	Spring (Valve)	8
4	0185-6017	Retainer, Valve Spring	8
5	0110-3948	Collet, Valve Spring	8
6	0185-6018	Seal (Valve Stem)	8
7	A047E787	Cap, Valve	8
8	0185-6020	Shaft (Rocker Arm)	1
9	A047E803	Bracket, Rocker Arm	4
10	0185-6026	Spring (Arm, Rocker)	3
11	0800-6335	Spring (Arm, Rocker)	4
12	0185-6749	Spring Pin	1
13	0185-6025	Washer (R-Arm.Shaft)	2
14	0185-2377	Washer, Plain	2
15	0185-2381	Washer, Spring Lock	2
16	0800-6327	Bolt, Hex	2
17	0185-6028	Arm, Rocker – Assy	8
18	A047F286	Screw, Adjusting	8
19	0185-6030	Nut	8

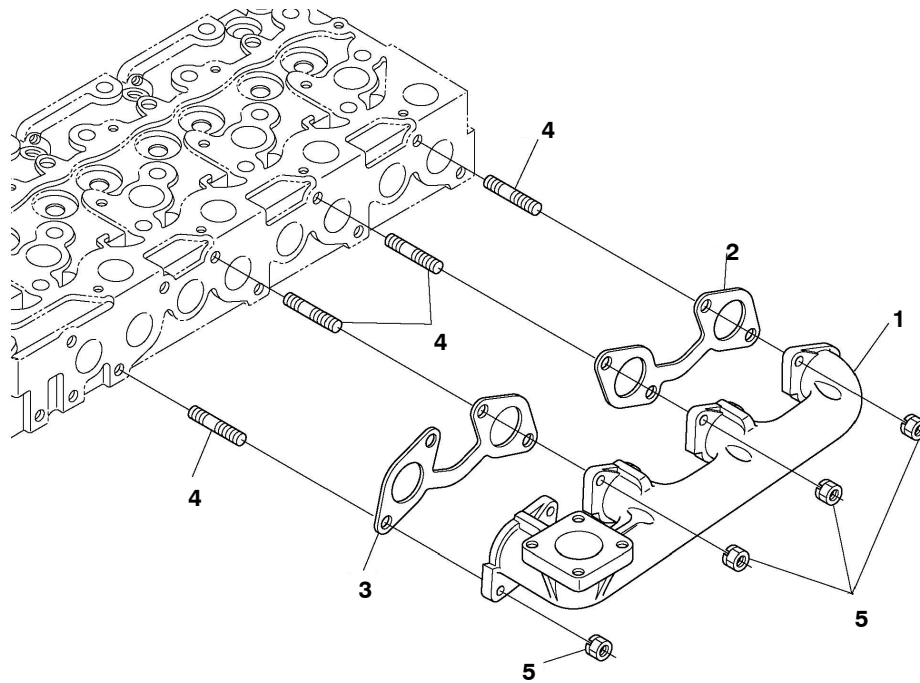
## V2203 Engine Service Parts

### Inlet Manifold



Item	Part No.	Description	Qty
1	A052C437	Manifold, Inlet	1
2	A052C441	Joint, Pipe (Breather)	1
3	A052C447	Gasket, Inlet Manifold	1
4	A047F302	Bolt, SEMS	7

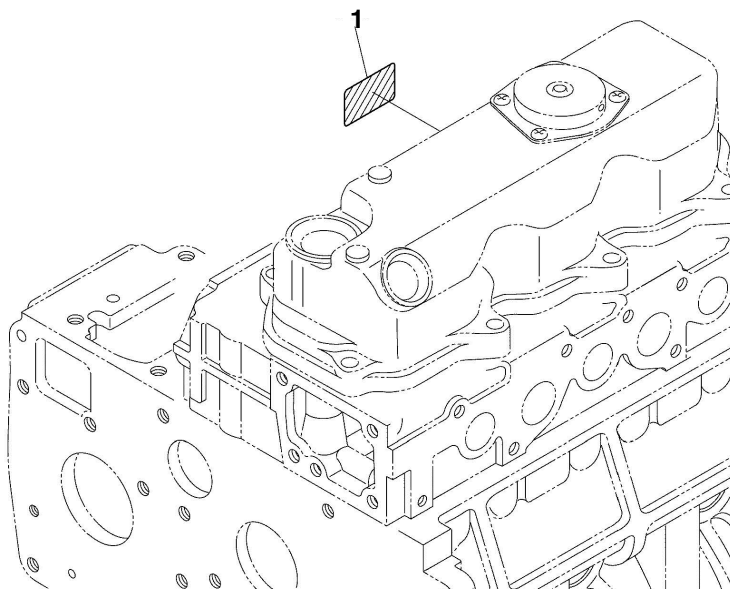
## V2203 Engine Service Parts Exhaust Manifold



Item	Part No.	Description	Qty
1	A026D587	Manifold, Exhaust	1
2	A026D597	Gasket, Exhaust Manifold	1
3	A026D601	Gasket, Exhaust Manifold	1
4	0185-6033	Stud	8
5	0860-2136	Nut (With Lock Washer)	8

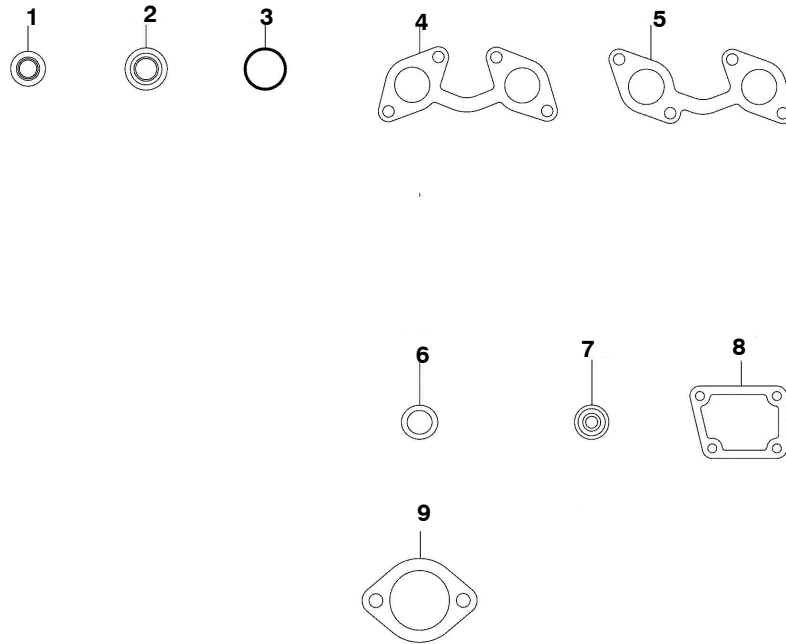
## V2303 Engine Service Parts

### Label



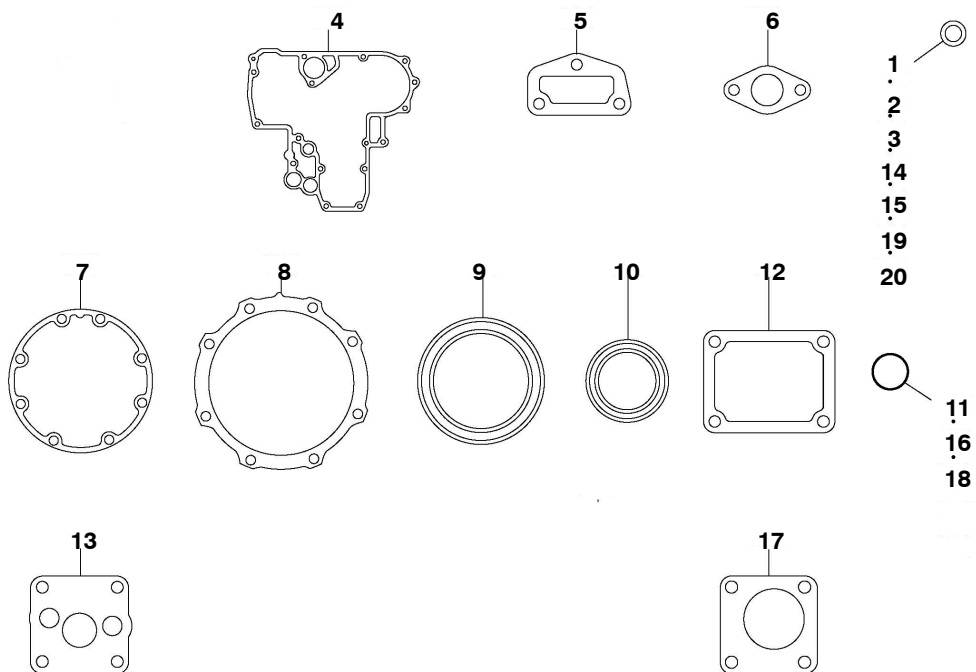
Item	Part No.	Description	Qty
1	0098-8331	Label, Pump	1

## V2203 Engine Service Parts Upper Gasket Kit (Option)



Item	Part No.	Description	Qty
	A026D603	Kit, Upper Gasket (Includes the Following Parts)	
1	0185-5868	Washer, Seal	1
2	0185-6018	Seal (Valve Stem)	8
3	0509-0414	O-Ring	1
4	A026D601	Gasket (Exhaust Manifold)	1
5	A026D597	Gasket (Exhaust Manifold)	1
6	0185-5337	Gasket	4
7	0185-5985	Seal (Heat)	4
8	0130-6334	Gasket (Flange, Water)	1
9	0130-6364	Gasket (Thermostat)	1

### V2203 Engine Service Parts Lower Gasket Kit (Option)

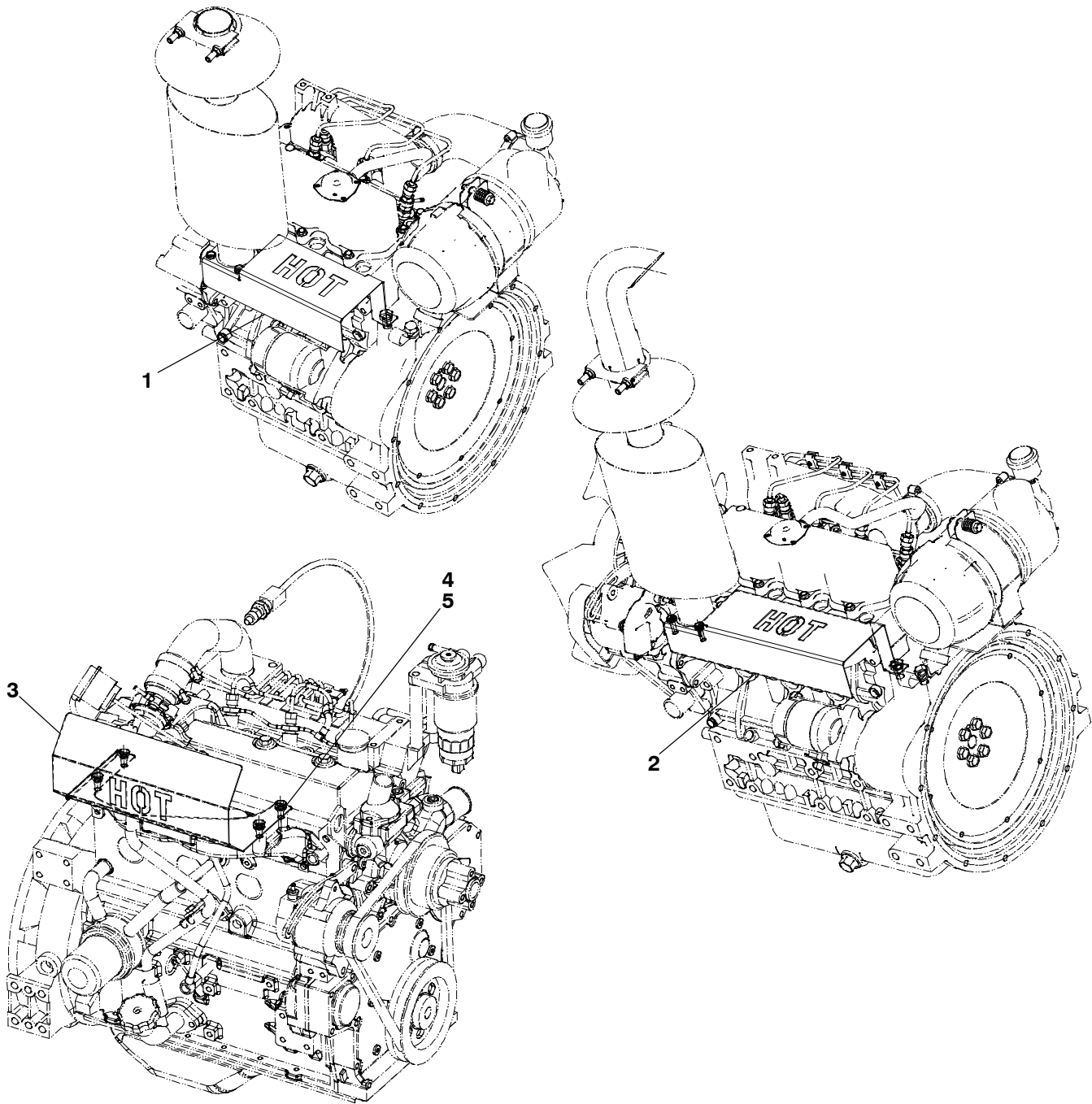




### Lower Gasket Kit (Option)

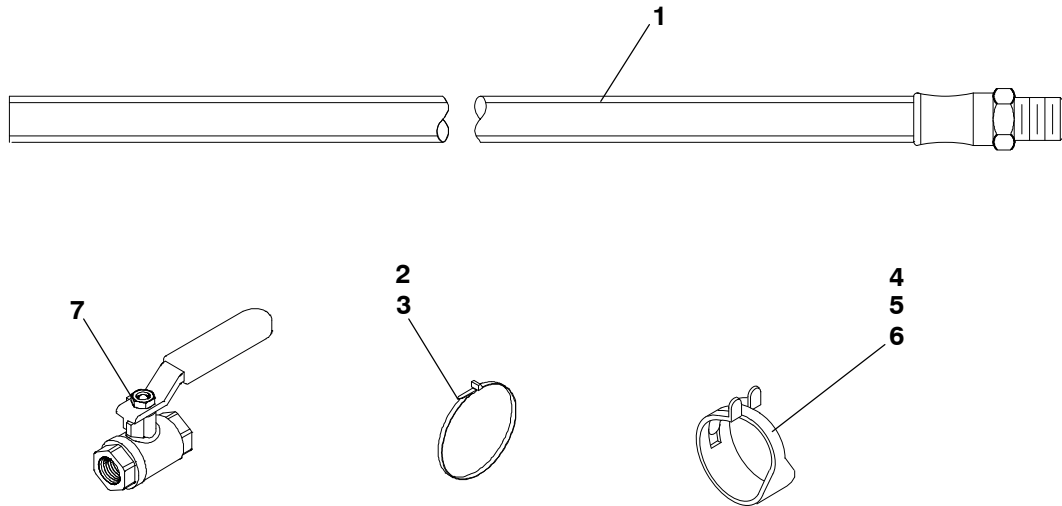
Item	Part No.	Description	Qty
1	0509-0428	Gasket (Pan, Oil)	1
2	0185-6761	Packing	1
3	0185-5495	Gasket	2
4	A047B500	Gasket (Case, Gear)	1
5	A047B582	Gasket (Return Flange)	1
6	0149-2914	Gasket (Fuel Pump)	1
7	0101-0834	Gasket, Bearing Case	1
8	0101-0835	Gasket, Case Cover	1
9	A047C086	Seal, Oil	1
10	A047D095	Seal, Oil	1
11	0185-5929	O-Ring	1
12	0101-0837	Gasket (Pump Cover)	1
13	0120-1355	Gasket, Oil Pum	1
14	0185-2284	Gasket	2
15	A047D313	Gasket	2
16	0509-0409	O-Ring	1
17	0302-2084	Gasket, Hour Meter	1
18	0113-0361	Ring	1
19	0509-0418	Gasket	1
20	0185-2338	Gasket	1

## Heat Shield



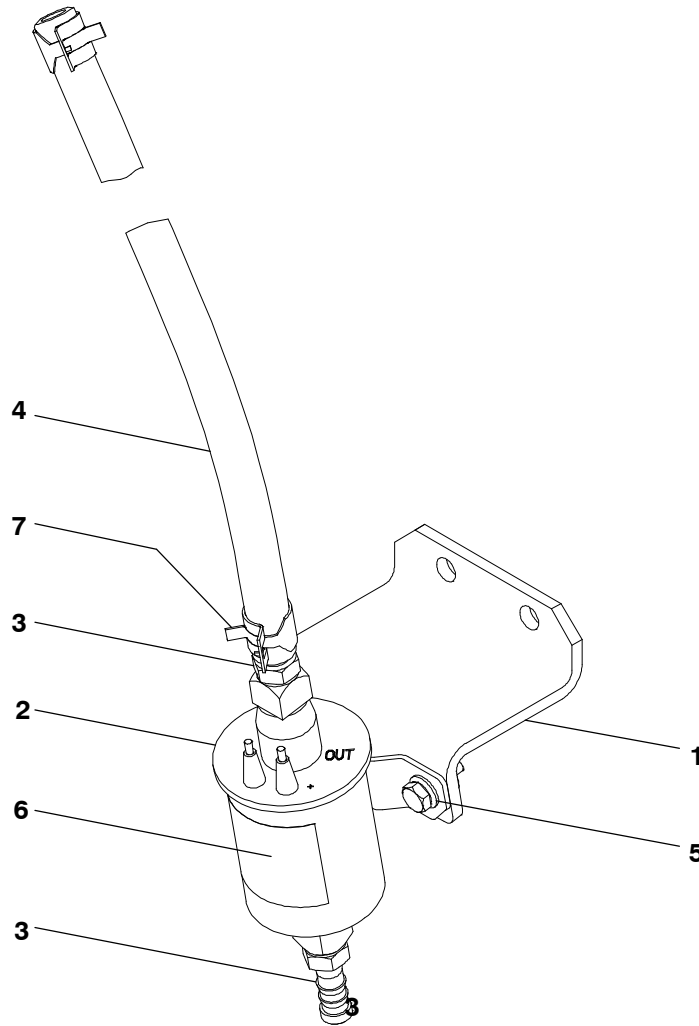
Item	Part No.	Description	Qty
1	A049W326	Shield, Heat (C10 D6, C15 D6)	1
2	A049W238	Shield, Heat (C20 D6)	1
3	A047L074	Shield, Heat (C25 D6, C30 D6, C35 D6, C40 D6, C50 D6, C60 D6)	1
4	A046A715	Washer, Flat (C25 D6, C30 D6, C35 D6, C40 D6, C50 D6, C60 D6)	4
5	0800-2085	Screw, Hex Head (C25 D6, C30 D6, C35 D6, C40 D6, C50 D6, C60 D6)	4

## Fuel Lines



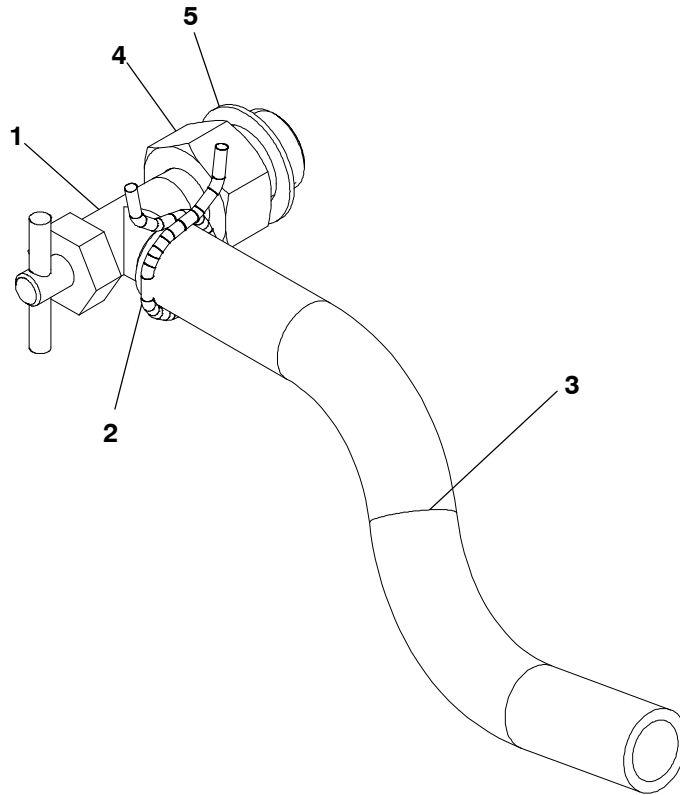
Item	Part No.	Description	Qty
1		Line, Flexible Fuel	
	A048T772	Fuel Supply – C10 D6, C15 D6, C20 D6 – USA	1
	A048T774	Fuel Return – C10 D6, C15 D6, C20 D6 – USA	1
	A048T768	Fuel Supply – C25 D6, C30 D6, C35 D6, C40 D6, C50 D6, C60 D6 – USA	1
	A048T770	Fuel Return – C25 D6, C30 D6, C35 D6, C40 D6, C50 D6, C60 D6 – USA	1
	A047S215	Fuel Supply – C10 D6, C15 D6, C20 D6 – Canada	1
	A047S218	Fuel Return – C10 D6, C15 D6, C20 D6 – Canada	1
	A048T768	Fuel Supply – C25 D6, C30 D6, C35 D6, C40 D6, C50 D6, C60 D6 – Canada	1
	A048T770	Fuel Return – C25 D6, C30 D6, C35 D6, C40 D6, C50 D6, C60 D6 – Canada	1
2	0332-0941	Tie, Cable	6
3	0332-1794	Tie, Cable	1
4	0503-1445-06	Clamp – C10 D6, C15 D6, C20 D6	1
5	A034F794	Clamp, Loop – C10 D6, C15 D6, C20 D6	1
6	A028X735	Clamp – C25 D6, C30 D6, C35 D6, C40 D6, C50 D6, C60 D6	2
7	A048T646	Valve, Shutoff	1

**Fuel Pump – C25 D6, C30 D6, C35 D6, C40 D6, C50 D6, C60 D6**



Item	Part No.	Description	Qty
1	A029Z267	Bracket, Pump	1
2	A047N911	Pump, Fuel	1
3	A048W056	Fitting, Hose Barb	2
4	0503-2885-01	Hose, Fuel	1
5	0821-6002-03	Screw, Hex Head	2
6	A026C516	Label, Instruction	1
7	A028X735	Clamp	2

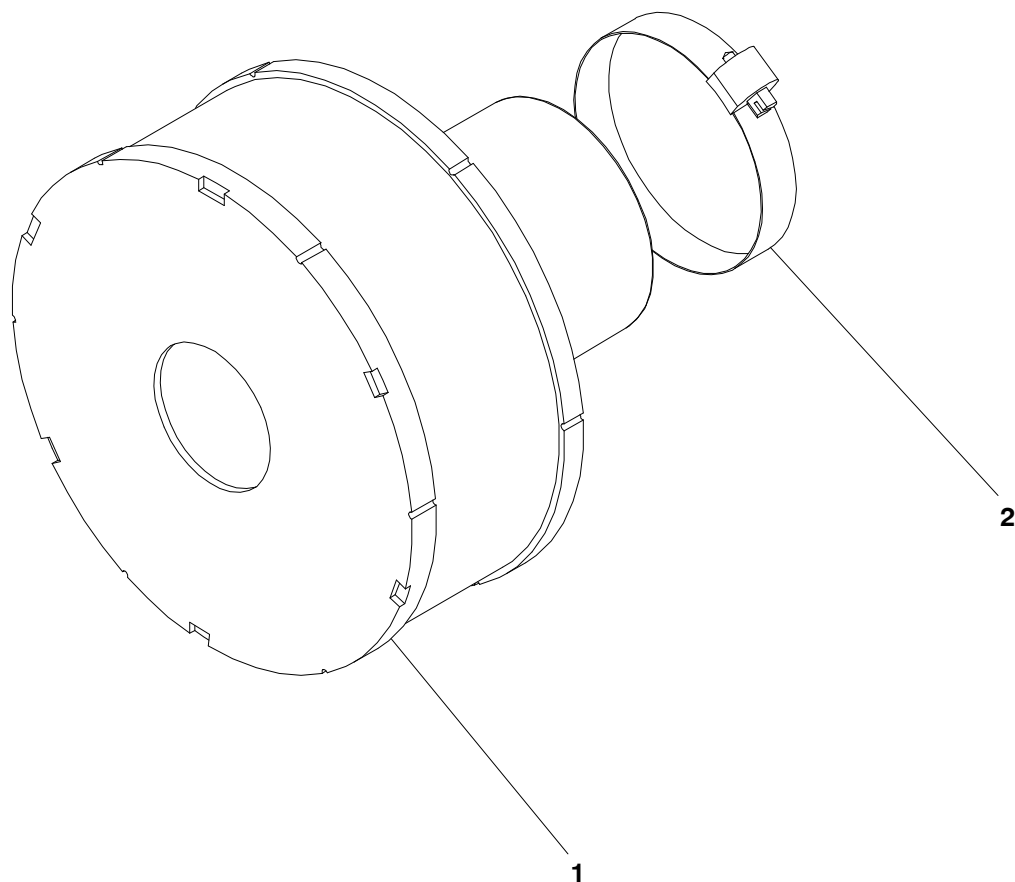
**Oil Drain – C25 D6, C30 D6, C35 D6, C40 D6, C50 D6, C60 D6**



Item	Part No.	Description	Qty
1	0504-0176	Valve	1
2	A030R616	Clamp, Hose	1
3	0503-1660-08	Hose, Fuel	1
4	0102-1448-02	Adapter, Oil Drain	1
5	0526-0329	Screw, Hex Head	1

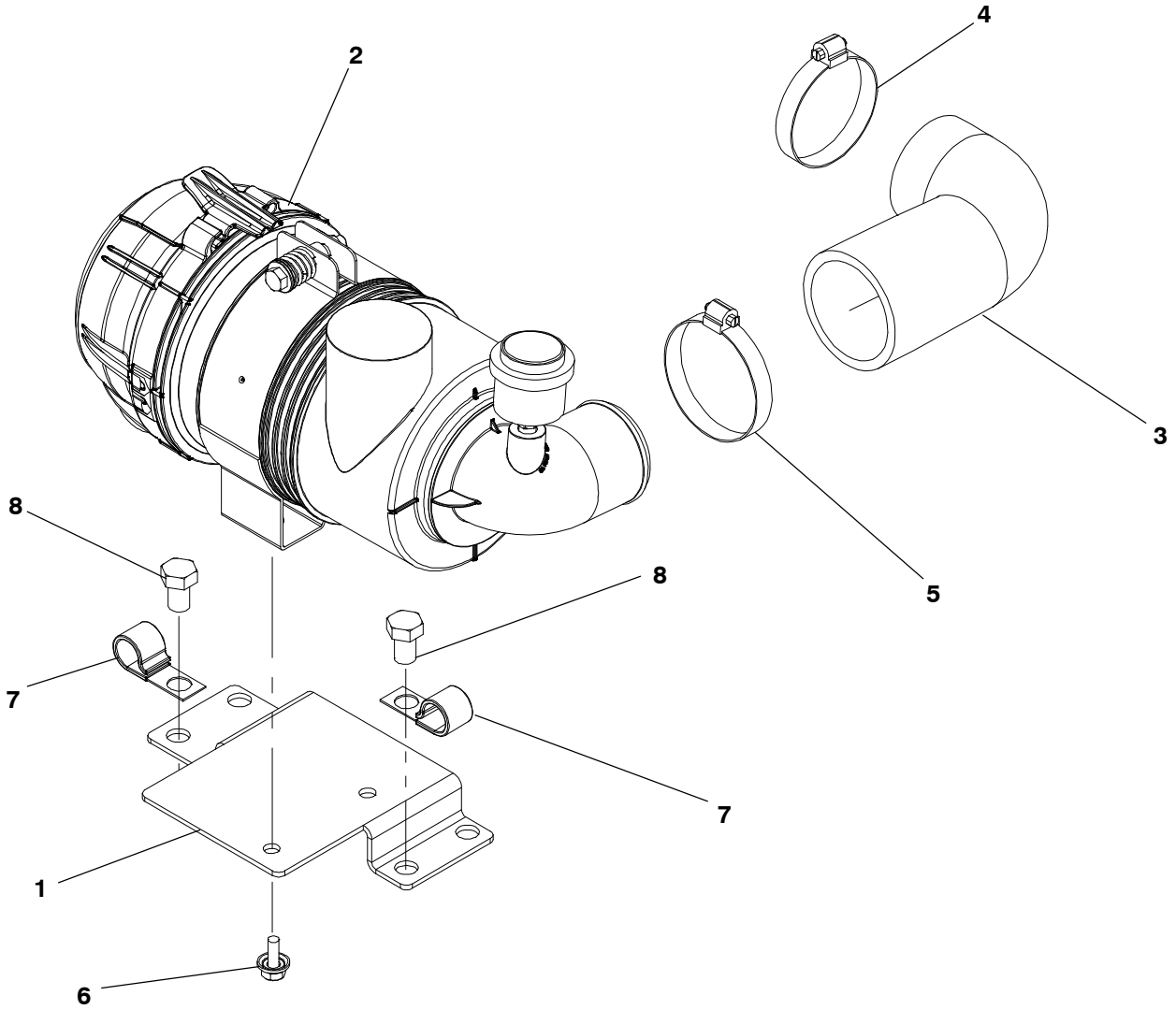
## Air Cleaner

Normal Duty – C25 D6, C30 D6, C35 D6, C40 D6, C50 D6, C60 D6



Item	Part No.	Description	Qty
1	A044A853	Filter, Air	1
2	0503-1870-05	Clamp, Hose	1

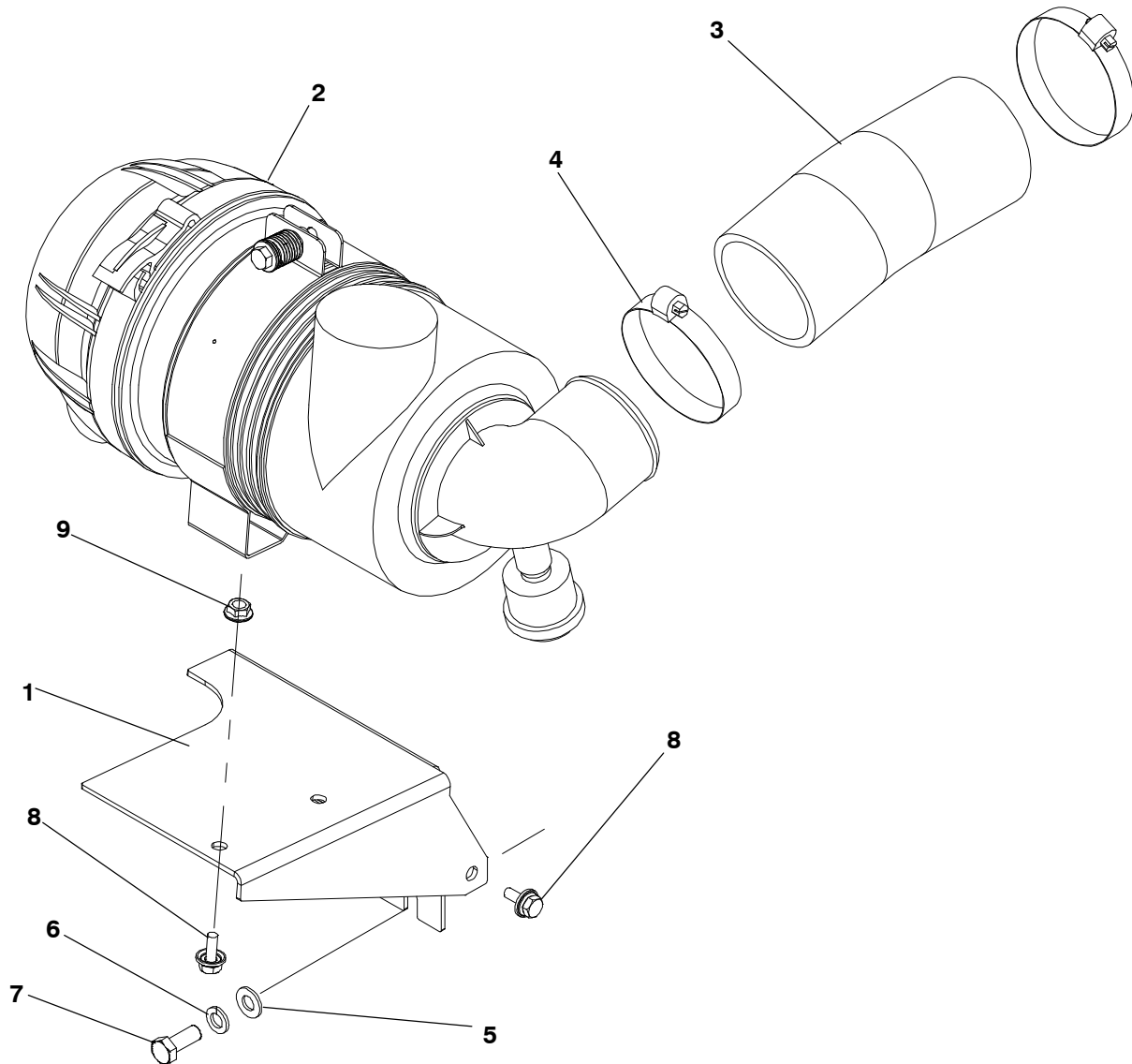
**Air Cleaner – Heavy Duty**  
**C10 D6, C15 D6, C20 D6**



Item	Part No.	Description	Qty
1	A045G933	Bracket, Air Filter	1
2	A046R235 A045Z959	Filter, Air Element, Air Cleaner	1 1
3	A045H510	Hose, Intake	1
4	0503-1142	Clamp	1
5	0503-1144	Clamp	1
6	0821-6003-01	Screw, Hex Head	2
7	0332-2921	Clamp, J	2
8	0800-0088	Screw, Hex Head	4

## Air Cleaner – Heavy Duty

C25 D6, C30 D6, C35 D6, C40 D6, C50 D6, C60 D6

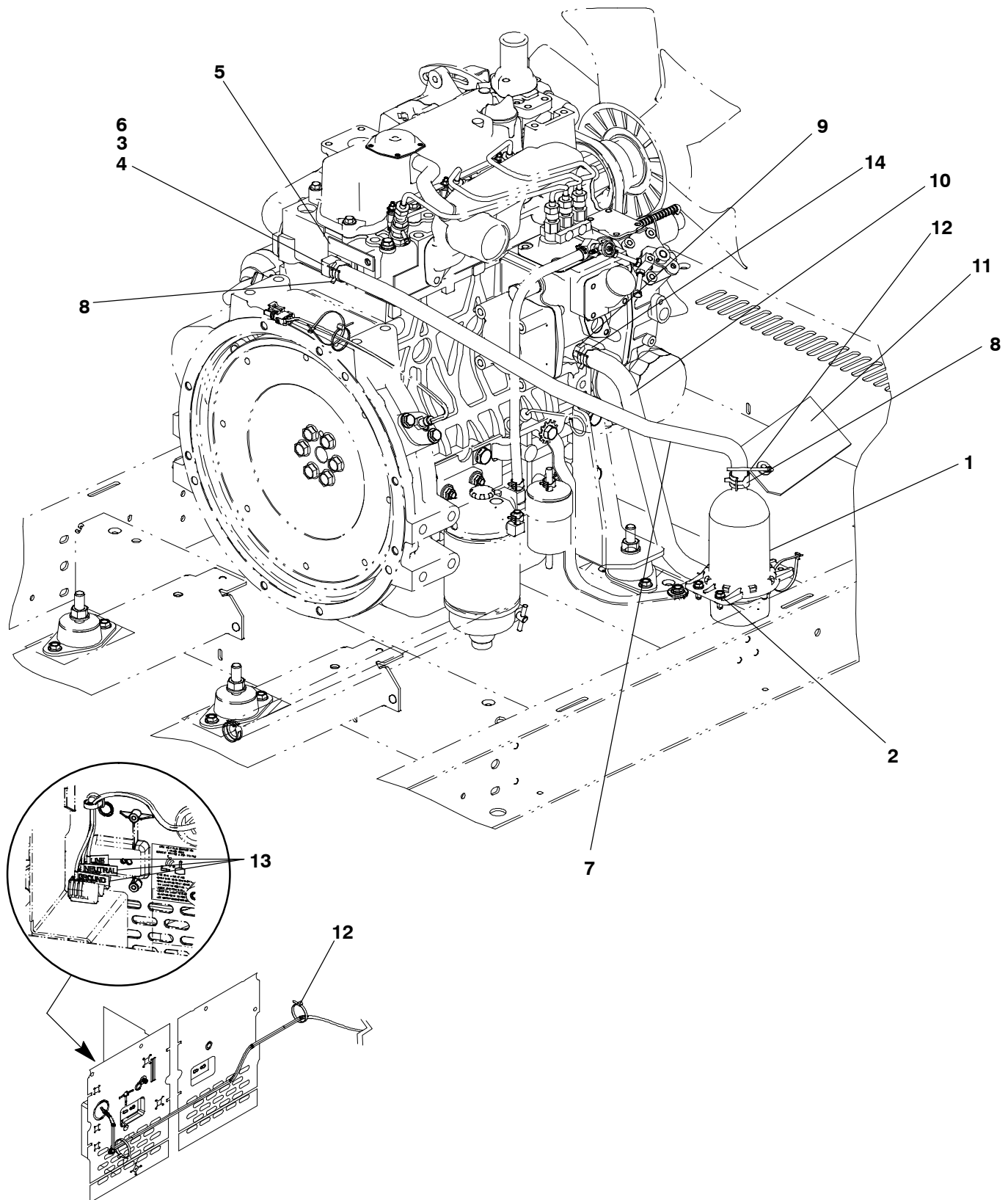


Item	Part No.	Description	Qty
1	A046X520	Bracket, Air Filter	1
2	A046Z288	Filter, Air	1
	0140-4186	Element, Air Cleaner	1
3	A046Z563	Hose, Intake	1
4	0503-1870-05	Clamp	2
5	0526-2120	Washer, Flat	2
6	0850-2010	Washer, Lock	2
7	0800-2086	Screw, Hex Head	2
8	0821-6003-01	Screw, Hex Head	3
9	0870-2055	Nut, Flange Lock	2



This page is Intentionally blank.

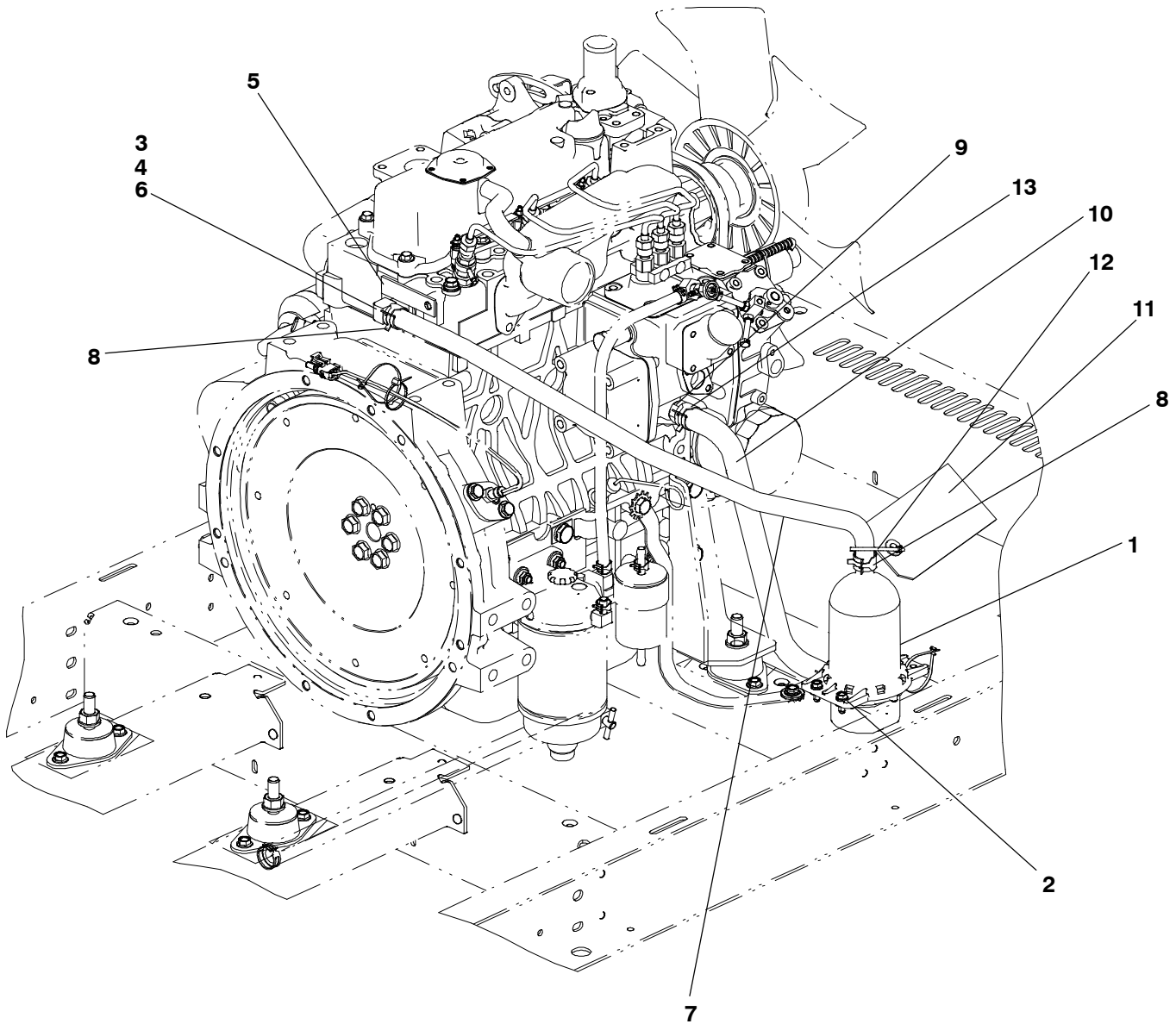
### Coolant Heater – USA C10 D6, C15 D6



**Coolant Heater – C10 D6, C15 D6 – USA**

Item	Part No.	Description	Qty
1		Heater, Coolant	
	A042V042	500W	1
	A046S627	1000W	1
2	0815-0941-03	Screw, Hollow Head	2
3	0508-1089-02	Bushing	1
4	0509-0306	Seal, O Ring	1
5	0333-0544	Bracket	1
6	0502-0942	Elbow, 90° Hose	1
7	A046B161	Hose, Coolant	
8	A028X740	Clamp	2
9	0333-0543-02	Adapter, Hose	1
10	A047M897	Hose, Coolant	1
11	0098-6030	Tag, Caution	1
12	0332-1794	Tie, Cable	A/R
13	A046G477	Label, Marking	1
14	A028X743	Clamp	2

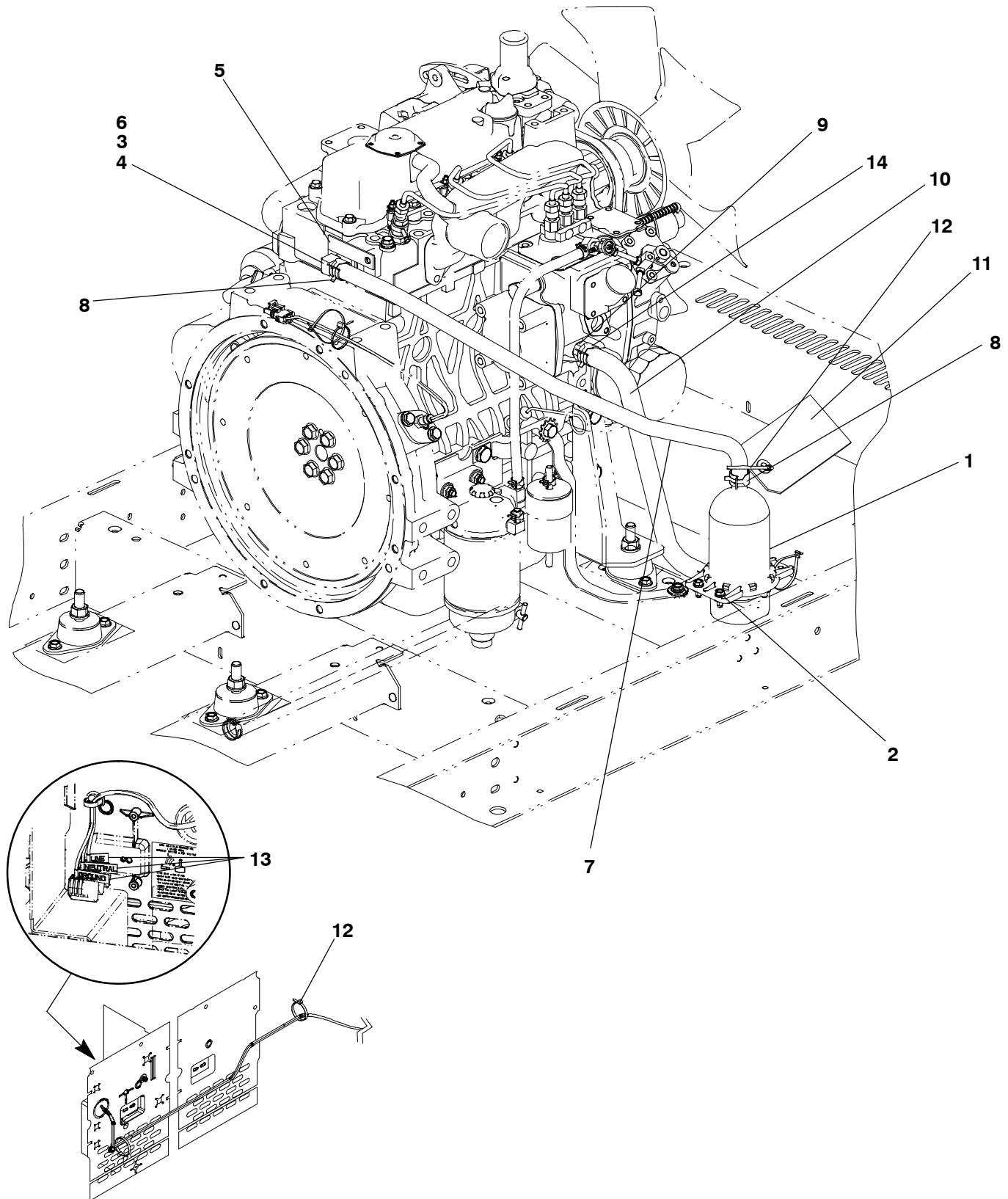
### Coolant Heater – Canada C10 D6, C15 D6



**Coolant Heater – Canada**  
**C10 D6, C15 D6**

<b>Item</b>	<b>Part No.</b>	<b>Description</b>	<b>Qty</b>
1	0333-0588-01	Heater, Coolant	1
2	0815-0941-03	Screw, Hollow Head	2
3	0508-1089-02	Bushing	1
4	0509-0306	Seal, O Ring	1
5	0333-0544	Bracket	1
6	0502-0942	Elbow, 90° Hose	1
7	A046B161	Hose, Coolant	1
8	A028X740	Clamp	2
9	0333-0543-02	Adapter, Hose	1
10	A047M897	Hose, Coolant	1
11	A048Y038	Tag, Caution	1
12	0332-1794	Tie, Cable	2
13	A028X743	Clamp	2

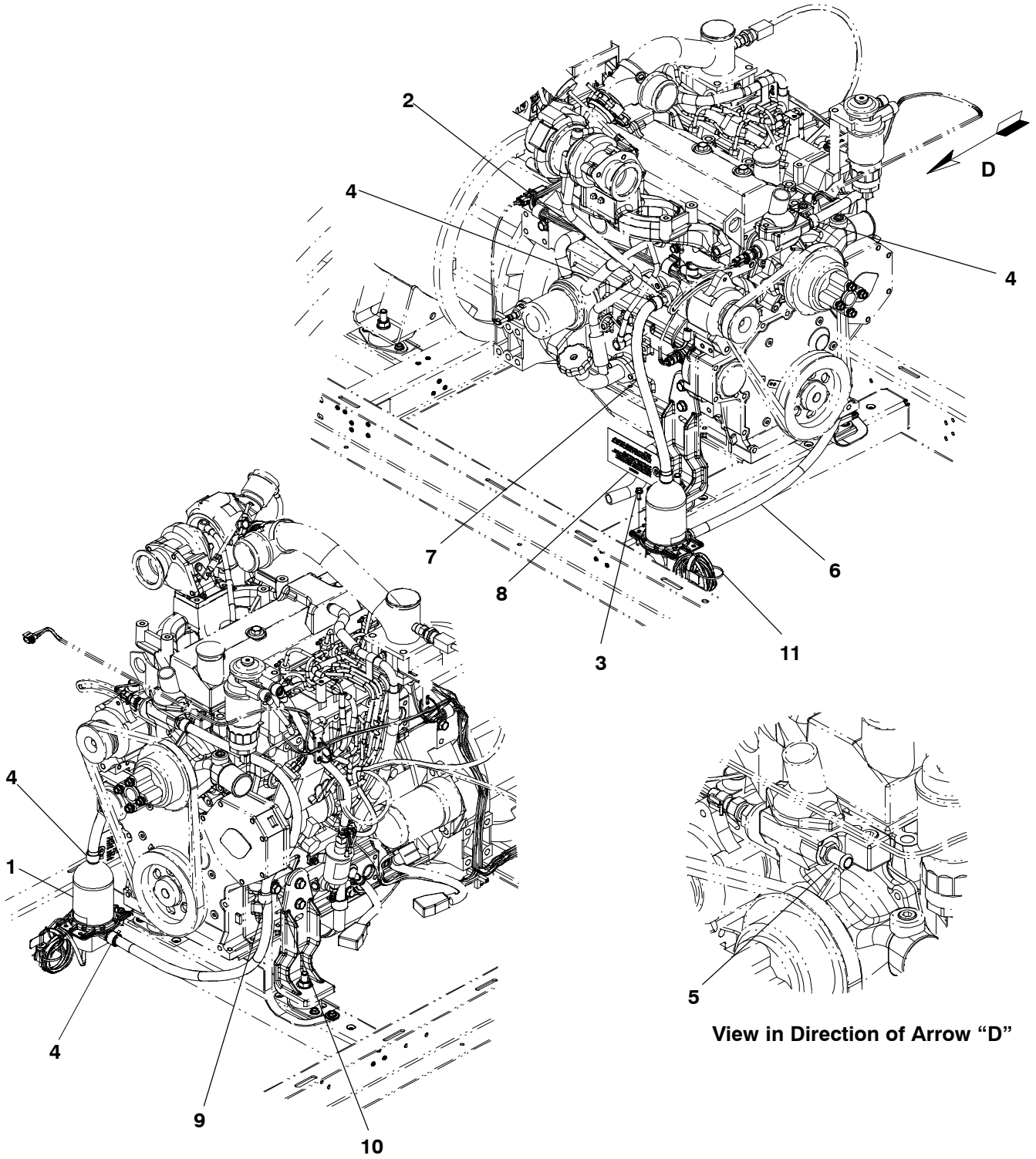
### Coolant Heater – C20 D6 – USA



### Coolant Heater – C20 D6 – USA

Item	Part No.	Description	Qty
1		Heater, Coolant	
	A042V042	500W	1
	A046S627	1000W	1
2	0815-0941-03	Screw, Hollow Head	2
3	0508-1089-02	Bushing	1
4	0509-0306	Seal, O Ring	1
5	0333-0544	Bracket	1
6	0502-0942	Elbow, 90° Hose	1
7	A046B928	Hose, Coolant	
8	A028X740	Clamp	2
9	0333-0543-02	Adapter, Hose	1
10	A047M897	Hose, Coolant	1
11	0098-6030	Tag, Caution	1
12	0332-1794	Tie, Cable	A/R
13	A046G477	Label, Marking	1
14	A028X743	Clamp	2

### Coolant Heater – Canada C20 D6

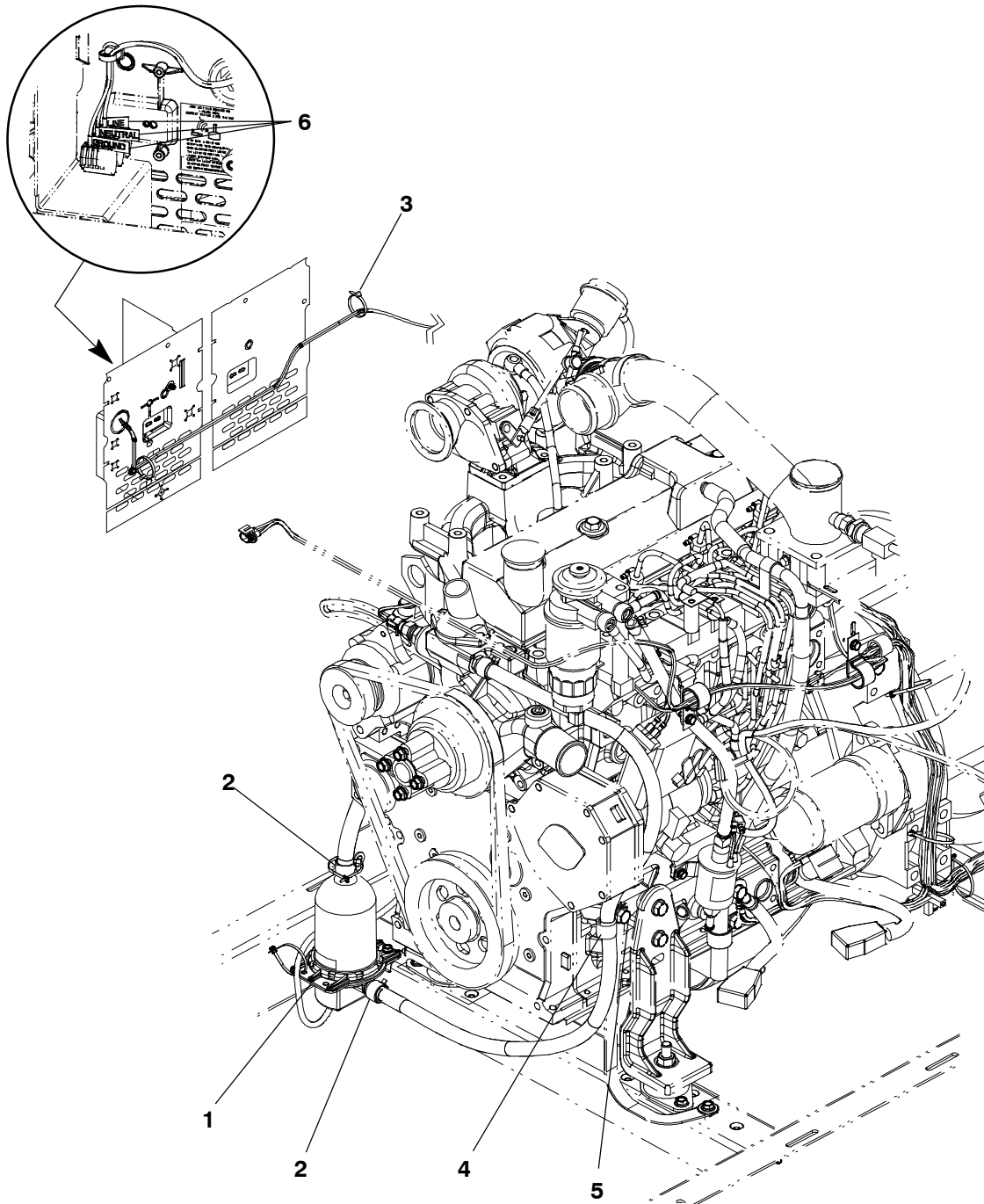




## Coolant Heater – Canada C20 D6

Item	Part No.	Description	Qty
1	0333-0588-01	Heater, Coolant	1
2	0502-0943	Fitting, Hose Connector	1
3	0815-0941-03	Screw, Hollow Head	2
4	A028X740	Clamp	4
5	A046F091	Connector, Hose	1
6	A045M347	Hose, Coolant	1
7	A043S938	Hose, Coolant	1
8	A048Y038	Tag, Caution	1
9	0332-2634	Clamp, J	1
10	0821-6004-01	Screw, Hex Head	1
11	0332-1794	Tie, Cable	2

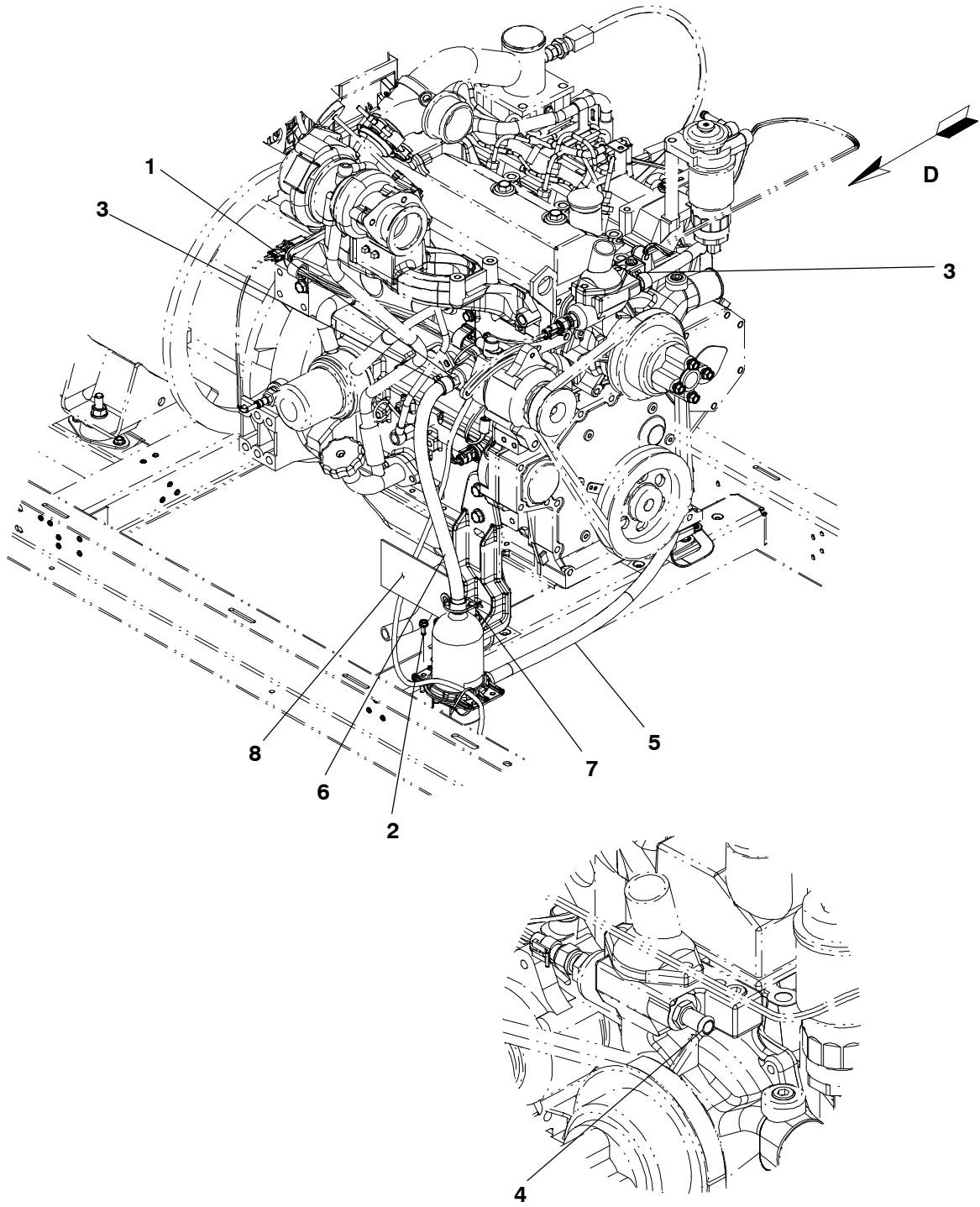
**Coolant Heater – C25 D6, C30 D6, C35 D6, C40 D6, C50 D6, C60 D6 – USA (Illustration #1)**



Item	Part No.	Description	Qty
1	A046S627	Heater, Coolant (1000w)	1
2	A028X740	Clamp	4
3	0332-1794	Tie, Cable	6
4	0332-2634	Clamp, J	1
5	0821-6004-01	Screw, Hex Head	1
6	A046G477	Label, Marking	1

This page is Intentionally blank.

**Coolant Heater – C25 D6, C30 D6, C35 D6, C40 D6, C50 D6, C60 D6 – USA (Illustration #2)**

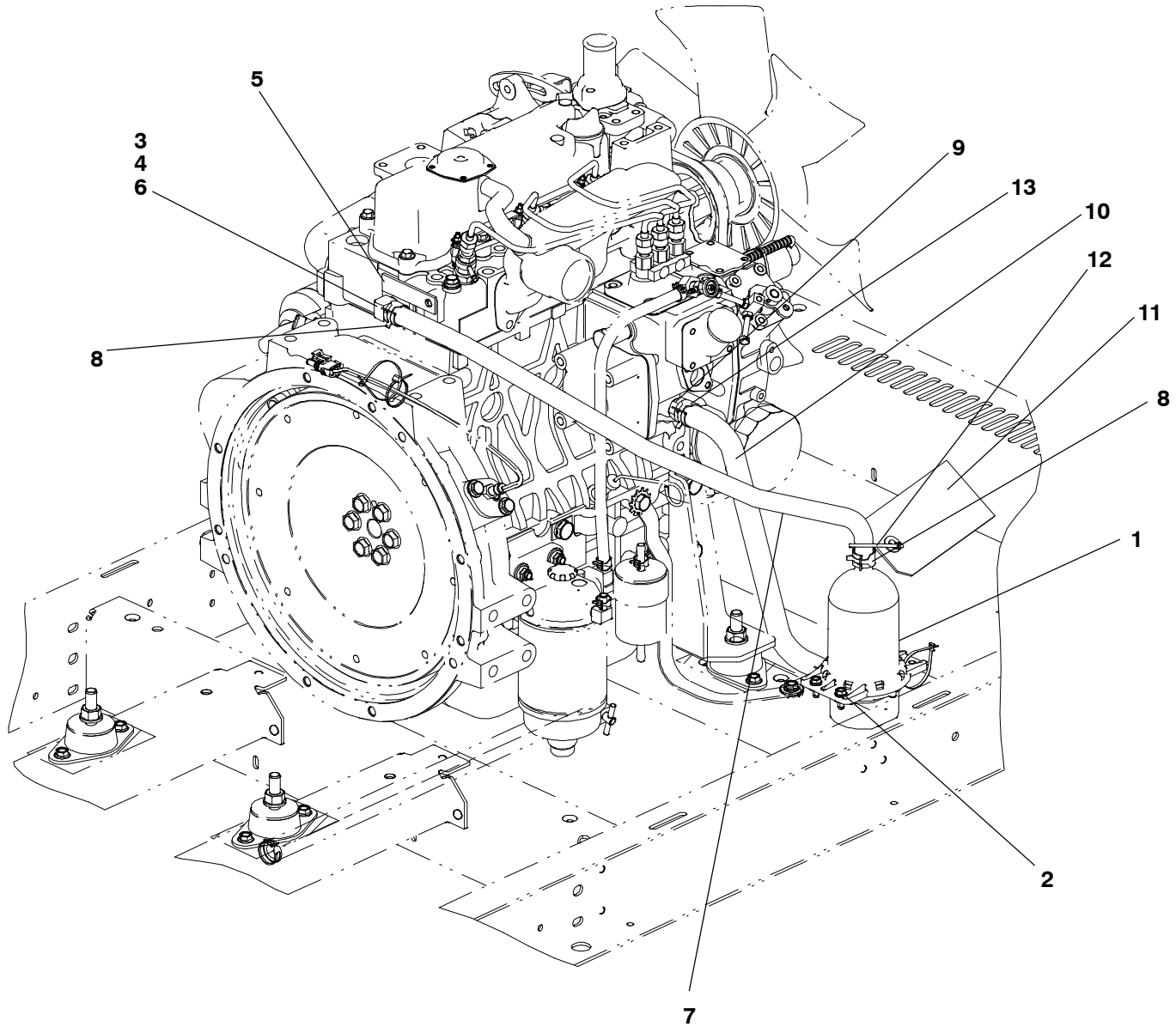


**View in Direction of Arrow "D"**

**Coolant Heater – C25 D6, C30 D6, C35 D6, C40 D6, C50 D6, C60 D6 – USA (Illustration #2)**

<b>Item</b>	<b>Part No.</b>	<b>Description</b>	<b>Qty</b>
1	0502-0943	Fitting, Hose Connector	1
2	0815-0941-03	Screw, Hollow Head	2
3	A028X740	Clamp	4
4	A046F091	Connector, Hose	4
5	A045M347	Hose, Coolant	1
6	A043S938	Hose, Coolant	1
7	0332-1794	Tie, Cable	6
8	0098-6030	Tag, Caution	1

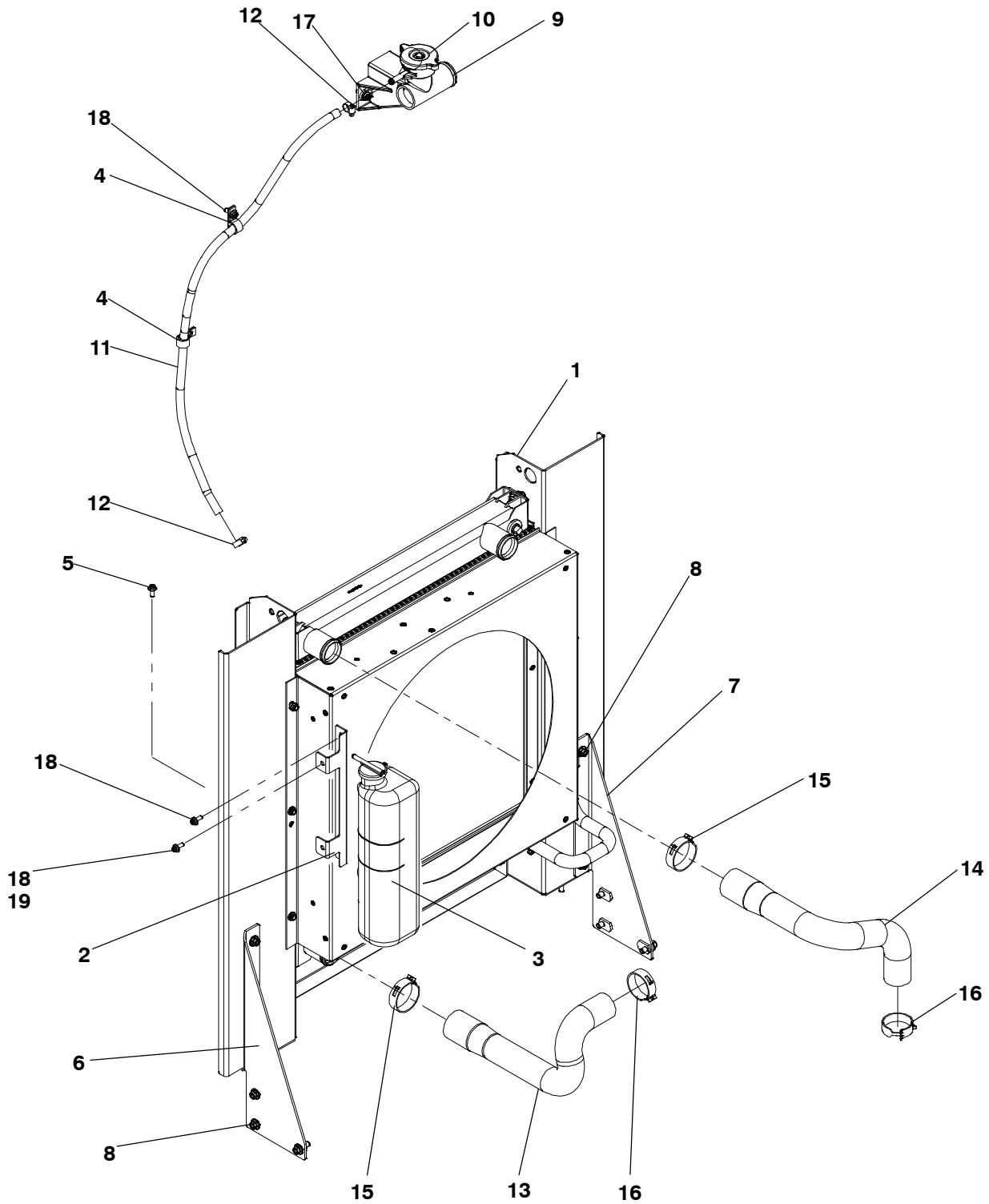
### Coolant Heater – Canada C25 D6, C30 D6, C35 D6, C40 D6, C50 D6, C60 D6



**Coolant Heater – Canada**  
**C25 D6, C30 D6, C35 D6, C40 D6, C50 D6, C60 D6**

<b>Item</b>	<b>Part No.</b>	<b>Description</b>	<b>Qty</b>
1	0333-0588-01	Heater, Coolant	1
2	0815-0941-03	Screw, Hollow Head	2
3	0508-1089-02	Bushing	1
4	0509-0306	Seal, O Ring	1
5	0333-0544	Bracket	1
6	0502-0942	Elbow, 90° Hose	1
7	A046B928	Hose, Coolant	1
8	A028X740	Clamp	2
9	0333-0543-02	Adapter, Hose	1
10	A047M897	Hose, Coolant	1
11	A048Y038	Tag, Caution	1
12	0332-1794	Tie, Cable	2
13	A028X743	Clamp	2

## Cooling System C10 D6, C15 D6, C20 D6



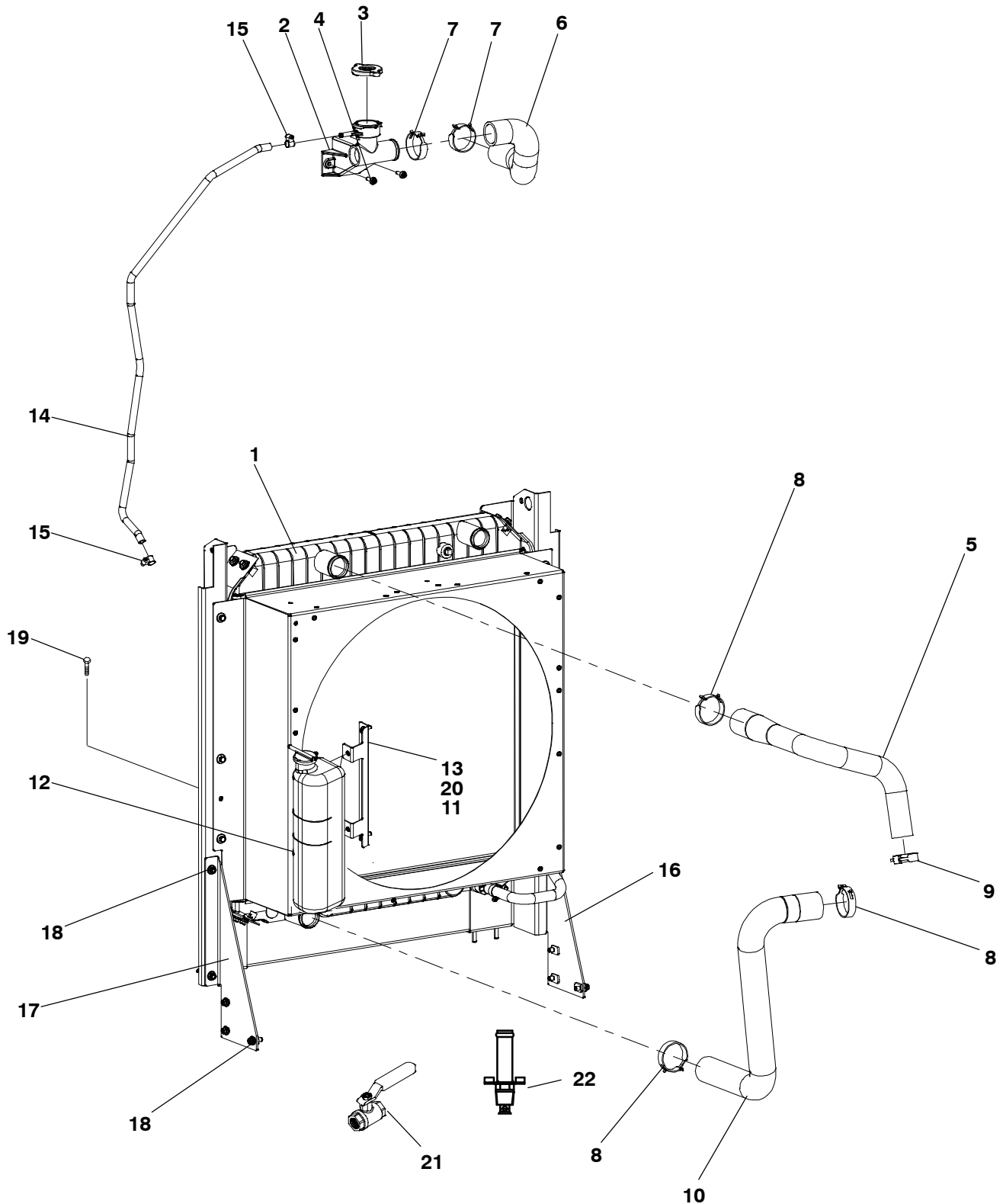


**Cooling System**  
**C10 D6, C15 D6, C20 D6**

Item	Part No.	Description	Qty
1	A045N041	Radiator	1
2	A044E947	Bracket	1
3	A044E935	Tank, Coolant	1
4	0518-0548-08	Clamp	2
5	0815-0781	Screw, Hollow Head	4
6	A045K678	Brace, Radiator	1
7	A045K681	Brace, Radiator	1
8	0815-0858-02	Screw, Hex Flange Head	10
9	A045E692	Tube, Fill	1
10	0130-3721-01	Cap, Pressure	1
11	A044F118	Hose	1
12	0503-0685	Clamp	2
13	A045L439	Hose, Coolant	1
14	A045L441	Hose, Coolant	1
15	A028X755	Clamp	2
16	A028X752	Clamp	2
17	0815-0857-03	Screw, Hex Head	2
18	0815-0857-02	Screw, Hex Head	5
19	0870-0506	Nut, Nylon Lock	2

## Cooling System

C25 D6, C30 D6, C35 D6, C40 D6

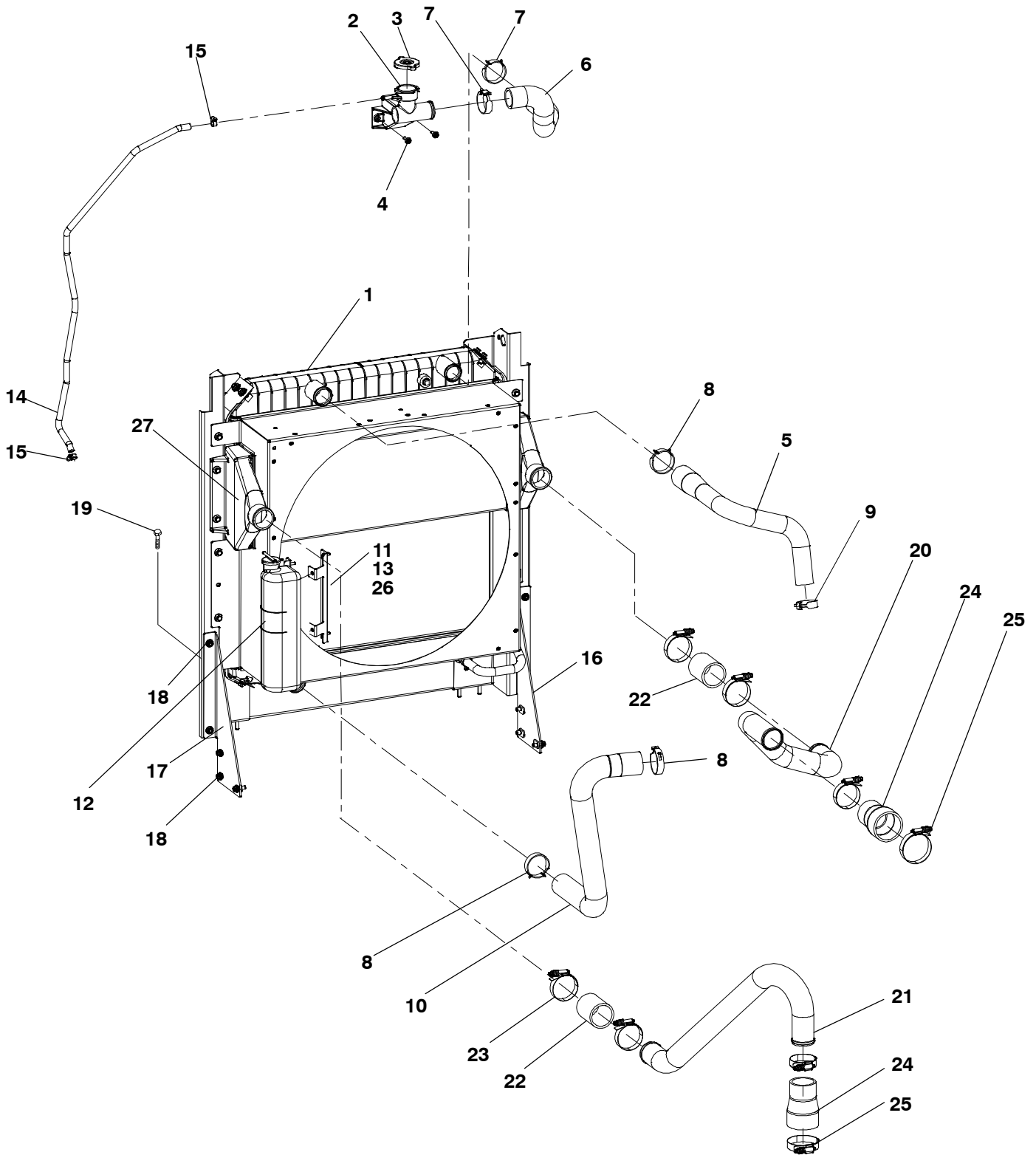


## Cooling System

### C25 D6, C30 D6, C35 D6, C40 D6

Item	Part No.	Description	Qty
1	A045D947	Radiator	1
2	A045E692	Tube, Fill	1
3	0130-3721-01	Cap, Pressure	1
4	0815-0857-03	Screw, Hex Head	2
5	A045D913	Hose, Coolant	1
6	A045D915	Hose, Coolant	1
7	A028X755	Clamp	2
8	A028X758	Clamp	3
9	A028X752	Clamp	1
10	A045D917	Hose, Coolant	1
11	A044E947	Bracket	1
12	A044E935	Tank, Coolant	1
13	0815-0857-02	Screw, Hex Head	4
14	A044F116	Hose	1
15	0503-0183	Clamp	2
16	A044L223	Brace, Radiator	1
17	A044L221	Brace, Radiator	1
18	0815-0858-02	Screw, Hex Flange Head	10
19	0815-0781	Screw, Hollow Head	4
20	0870-0506	Nut, Nylon Lock	2
21	A048T646	Valve, Shutoff	1
22	A047C585	Tap, Drain	1

### Cooling System C50 D6, C60 D6

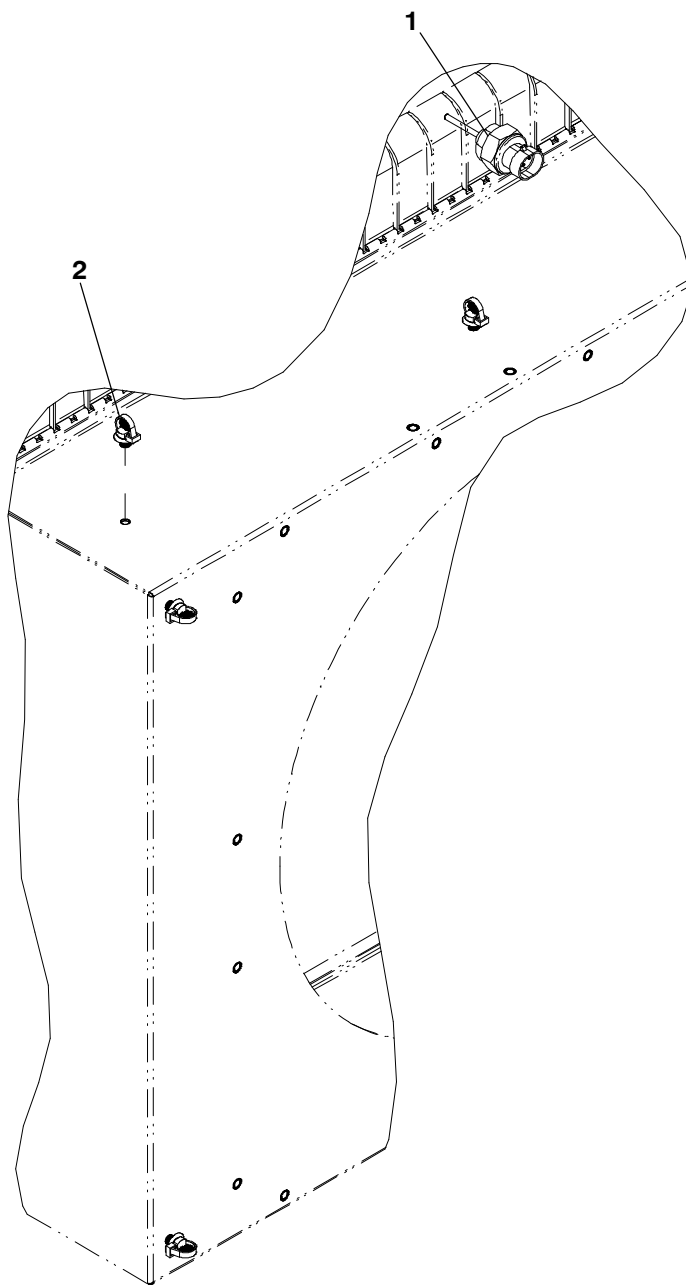


## Cooling System

### C50 D6, C60 D6

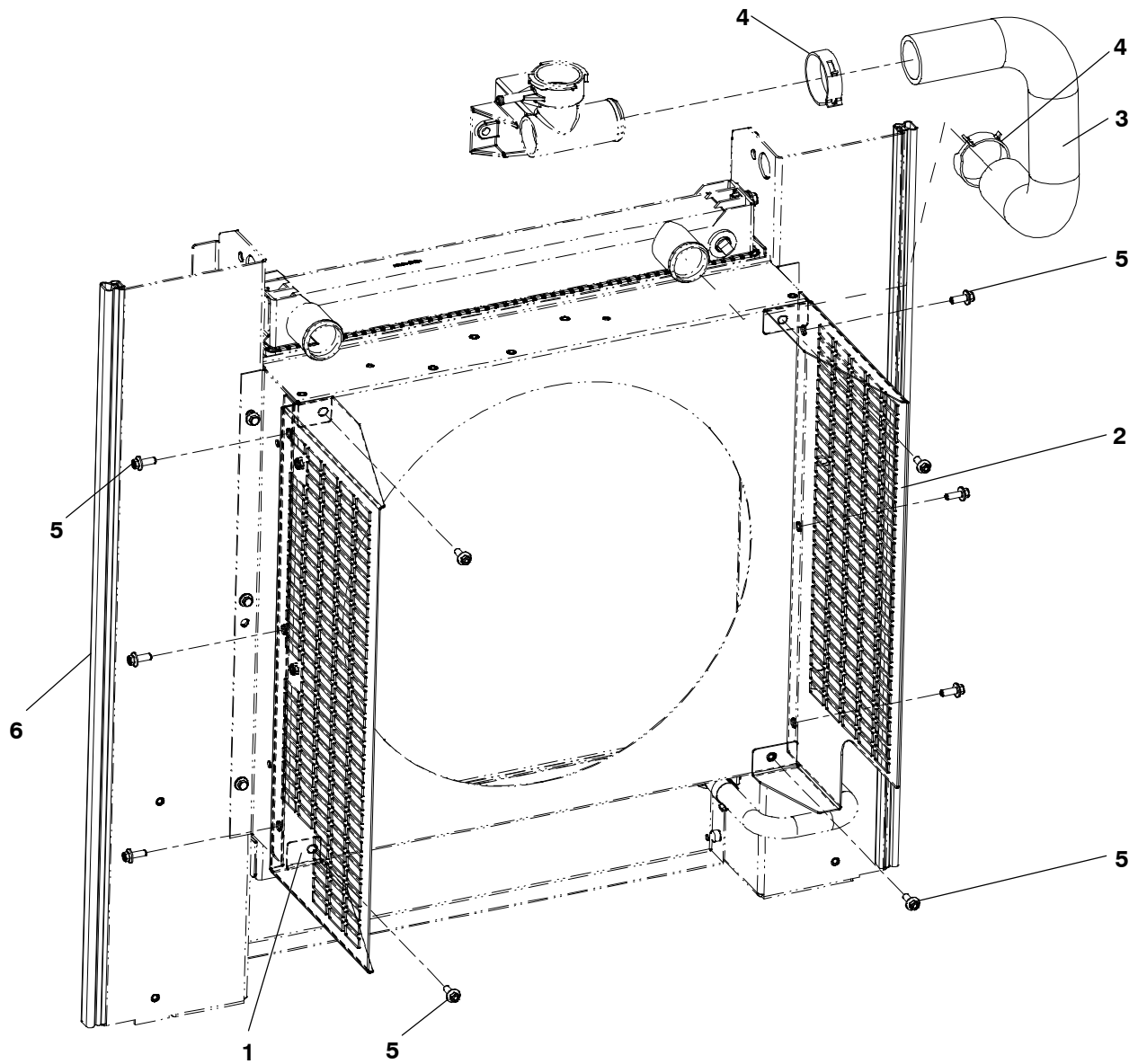
Item	Part No.	Description	Qty
1	A044B996	Radiator	1
2	A045E692	Tube, Fill	1
3	0130-3721-01	Cap, Pressure	1
4	0815-0857-03	Screw, Hex Head	2
5	A045D913	Hose, Coolant	1
6	A045D915	Hose, Coolant	1
7	A028X755	Clamp	2
8	A028X758	Clamp	3
9	A028X752	Clamp	1
10	A045D917	Hose, Coolant	1
11	A044E947	Bracket	1
12	A044E935	Tank, Coolant	1
13	0815-0857-02	Screw, Hex Head	4
14	A044F116	Hose	1
15	0503-0685	Clamp	2
16	A044L223	Brace, Radiator	1
17	A044L221	Brace, Radiator	1
18	0815-0858-02	Screw, Hex Flange Head	10
19	0815-0781	Screw, Hollow Head	4
20	A044B638	Tube, Air Inlet	1
21	A044B911	Tube, Air Inlet	1
22	A041E329	Hose, Air	2
23	0503-1872-03	Clamp, Hose	6
24	A044B920	Hose, Air	2
25	0503-1872-04	Clamp, Hose	2
26	0870-0506	Nut, Nylon Lock	2
27	A044B140	Cooler, Charge Air	1

## Low Coolant Sensor



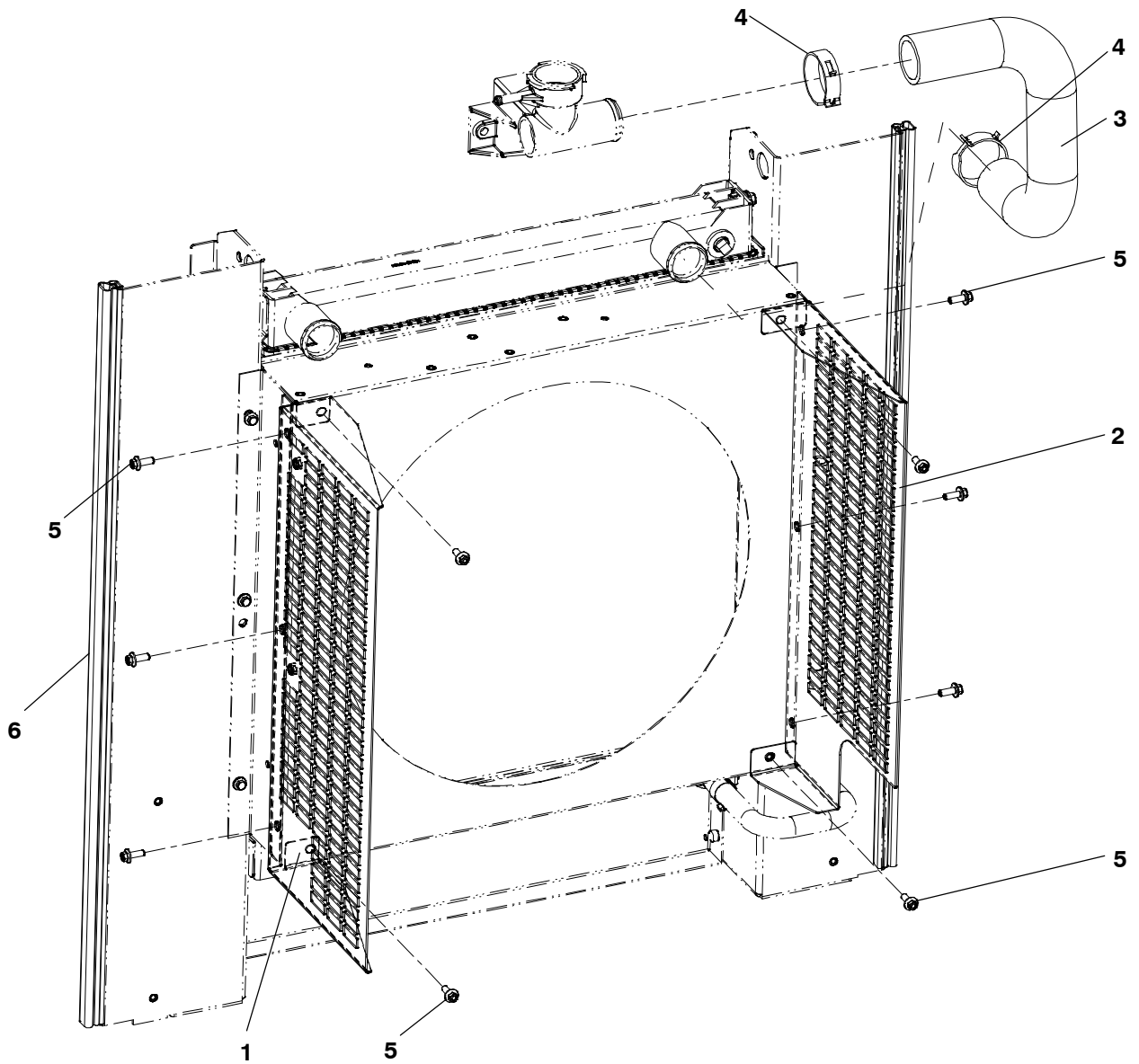
Item	Part No.	Description	Qty
1	A055G562	Sender, Low Coolant	1
2	A044D694	Tie, Cable	4

### Radiator Guards – Enclosed Sets (C10 D6, C15 D6)



Item	Part No.	Description	Qty
1	A045L435	Guard, Radiator	1
2	A045K857	Guard, Radiator	1
3	A045L443	Hose, Coolant	1
4	A028X755	Clamp	2
5	0815-0857-02	Screw, Hex Head	10
6	A044F082	Seal, Edge	2

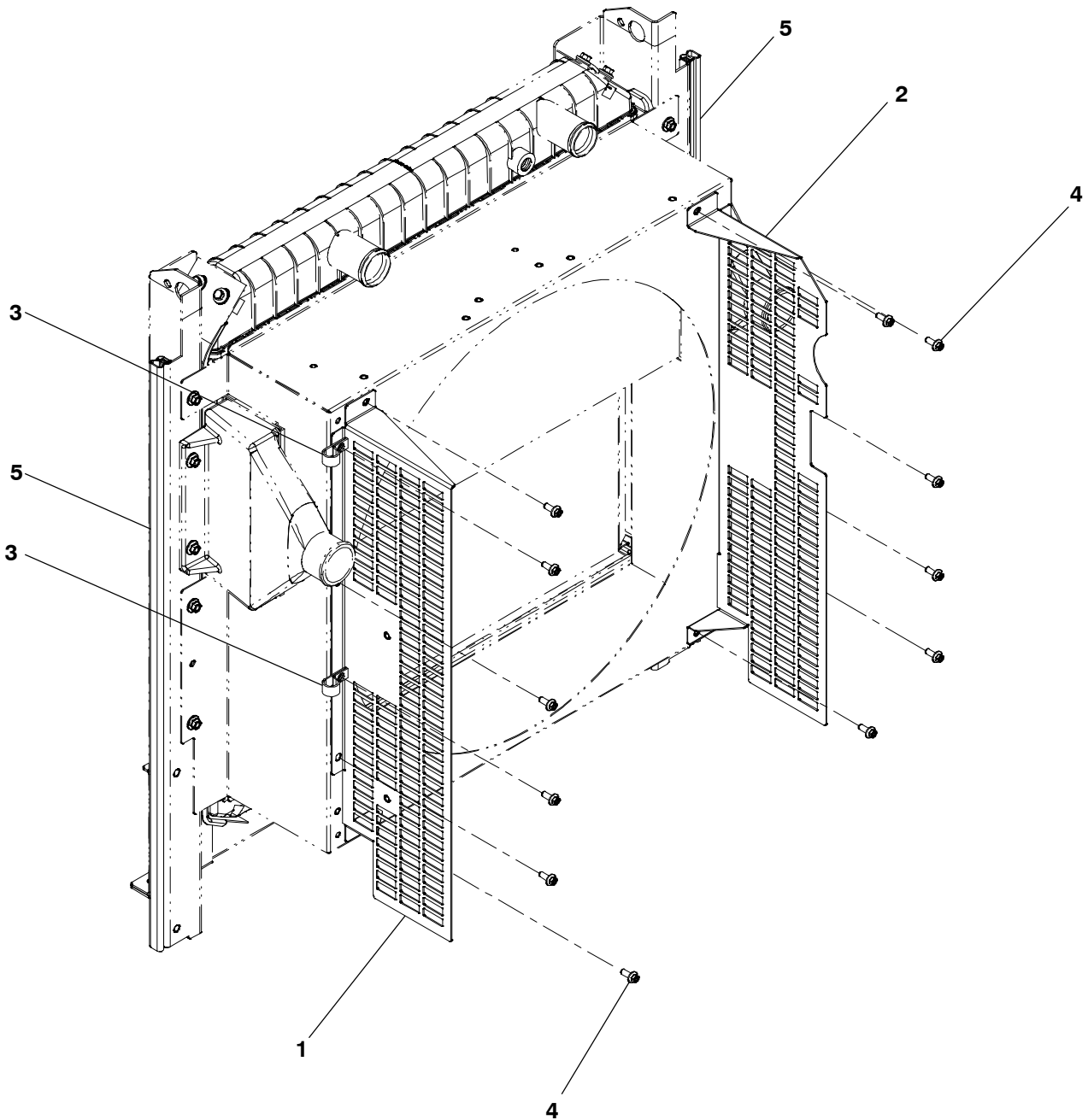
### Radiator Guards – Enclosed Sets (C20 D6)



Item	Part No.	Description	Qty
1	A045L435	Guard, Radiator	1
2	A045K857	Guard, Radiator	1
3	A045L692	Hose, Coolant	1
4	A028X755	Clamp	2
5	0815-0857-02	Screw, Hex Head	10
6	A044F082	Seal, Edge	2

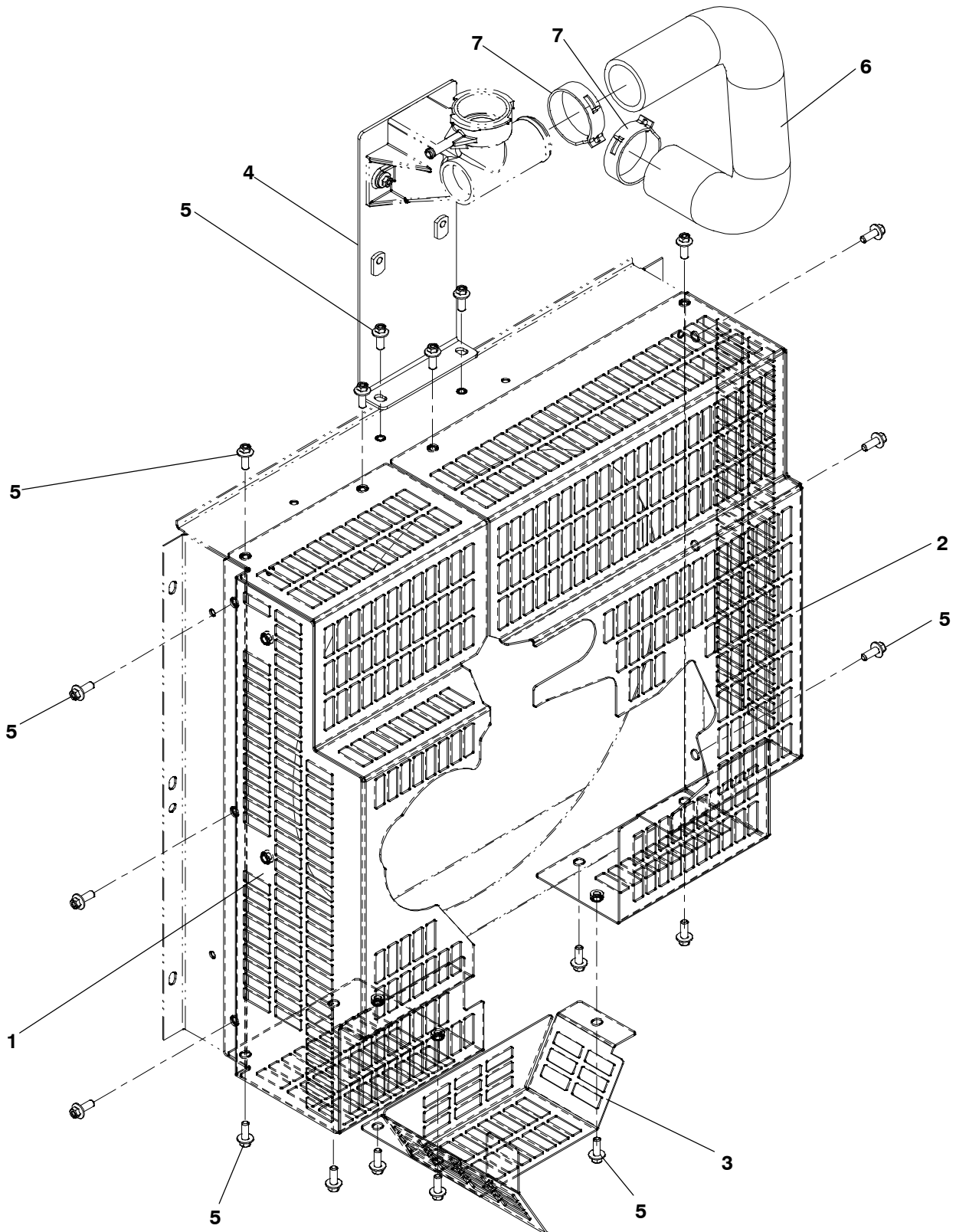


**Radiator Guards – Enclosed Sets (C25 D6, C30 D6, C35 D6, C40 D6, C50 D6, C60 D6)**



Item	Part No.	Description	Qty
1	A048W206	Guard, Radiator	1
2	A048W202	Guard, Radiator	1
3	0518-0548-08	Clamp	2
4	0815-0857-02	Screw, Hex Head	12
5	A044F082	Seal, Edge	2

### Radiator Guards – Open Sets (C10 D6, C15 D6, C20 D6)

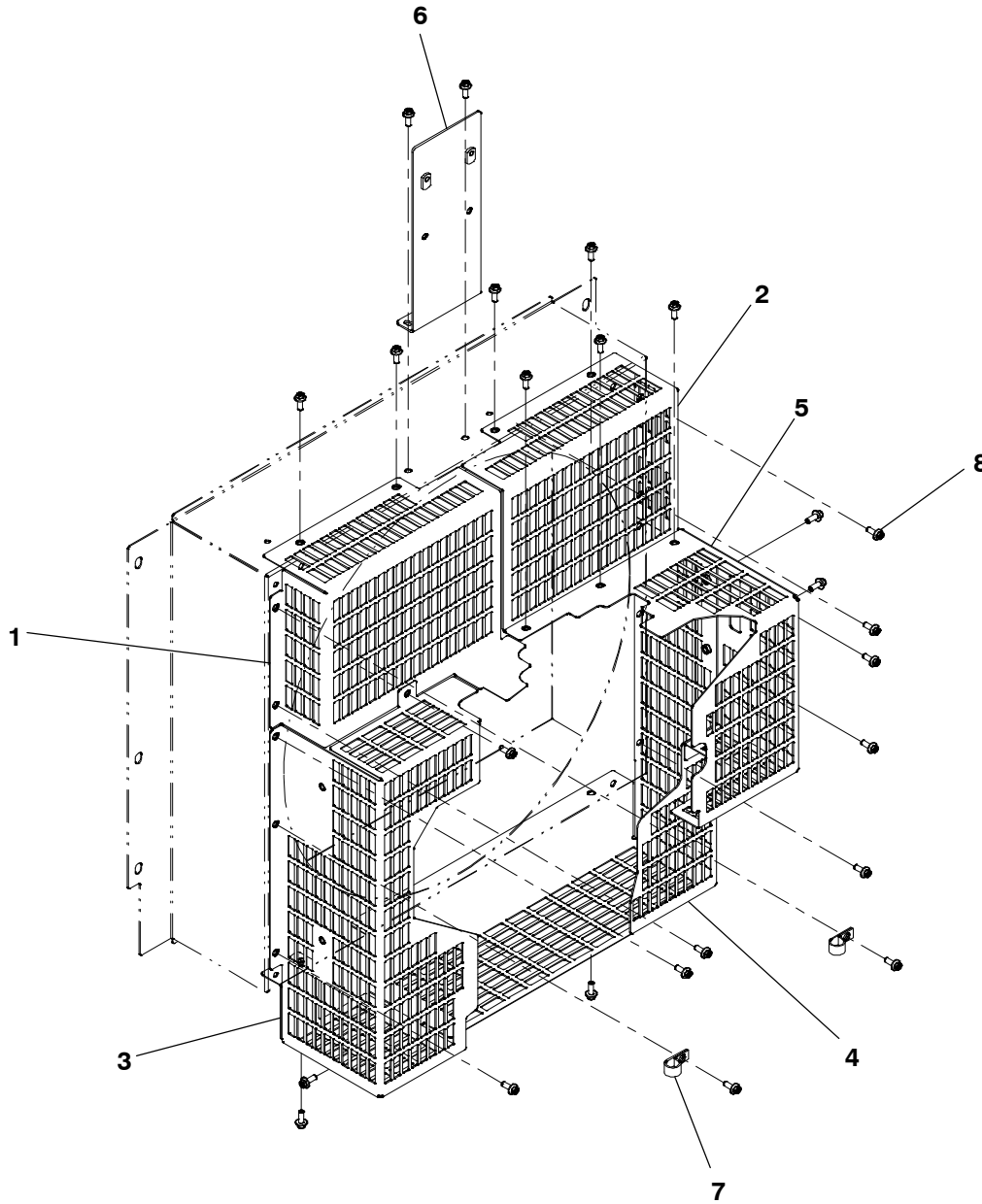


---

### Radiator Guards – Open Sets (C10 D6, C15 D6, C20 D6)

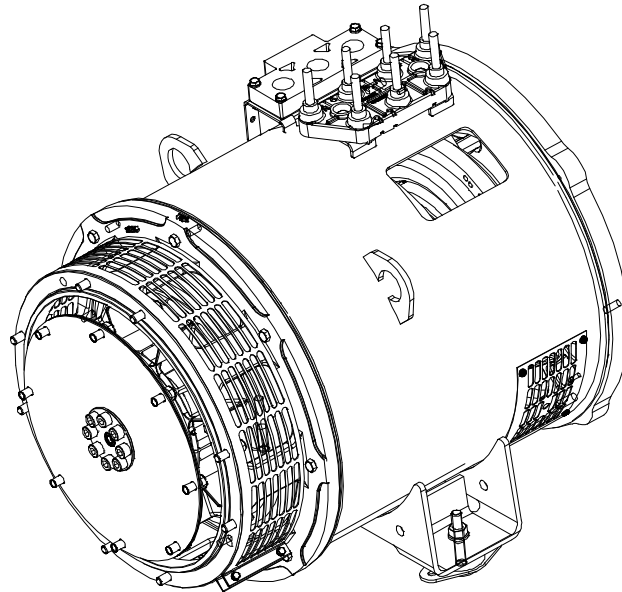
<b>Item</b>	<b>Part No.</b>	<b>Description</b>	<b>Qty</b>
1	A045L644	Guard, Radiator	1
2	A045L642	Guard, Radiator	1
3	A045L636	Guard, Radiator	1
4	A045K849	Bracket	1
5	0815-0857-02	Screw, Hex Head	19
6	A045L443	Hose, Coolant	1
7	A028X755	Clamp	2

**Radiator Guards – Open Sets (C25 D6, C30 D6, C35 D6, C40 D6, C50 D6, C60 D6)**



Item	Part No.	Description	Qty
1	A049V501	Guard, Radiator	1
2	A045G592	Guard, Radiator	1
3	A049V545	Guard, Radiator	1
4	A045G523	Guard, Radiator	1
5	A045J562	Guard, Radiator	1
6	A045K849	Bracket	1
7	0518-0548-08	Clamp	2
8	0815-0857-02	Screw, Hex Head	26

## Generator – Complete



Item	Part No.	Description	Qty
		<b>60Hz, 12L, 480/277V, 120C, 40C Ambient</b>	
	A045L961	C10 D6	
	A045L887	C15 D6, C20 D6, C25 D6	
	A045L891	C30 D6	
	A045L933	C35 D6	
	A045L938	C40 D6	
	A045L942	C50 D6	
	A045L965	C60 D6	
		<b>60Hz, 12L, 208/120V, 120C, 40C Ambient</b>	
	A045L963	C10 D6	
	A045L889	C15 D6, C20 D6, C25 D6	
	A045L931	C30 D6	
	A045L935	C35 D6	
	A045L940	C40 D6	
	A045L944	C50 D6	
	A045L967	C60 D6	
		<b>60Hz, 4L, 240/120V, 1Ph, 120C, 40C Ambient</b>	
	A045L960	C10 D6	
	A045L886	C15 D6, C20 D6, C25 D6	
	A045L890	C30 D6	
	A045L932	C35 D6	
	A045L937	C40 D6	
	A045L941	C50 D6	
	A045L964	C60 D6	
		<b>Continued...</b>	

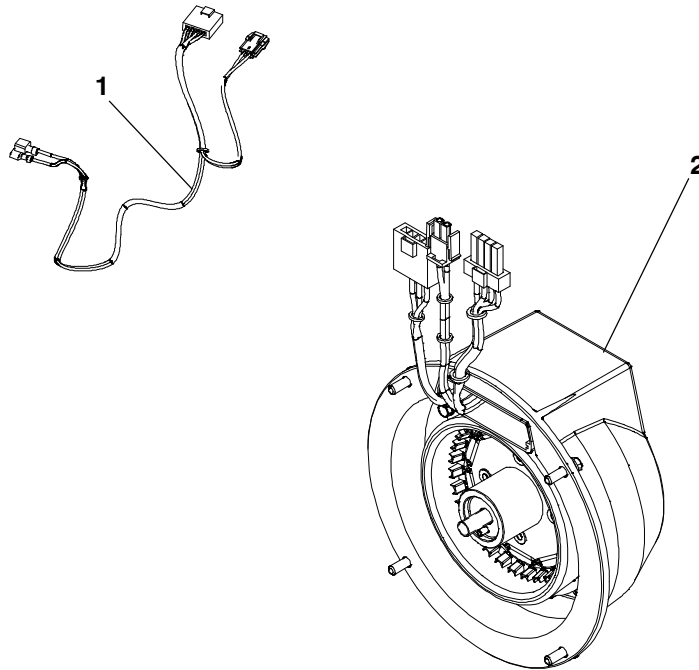
**Generator – Complete (Continued)**

Item	Part No.	Description	Qty
		<b>60Hz, 6L, 600/347V, 120C, 40C Ambient</b>	
	A045L962	C10 D6	
	A045L888	C15 D6, C20 D6, C25 D6	
	A045L930	C30 D6	
	A045L934	C35 D6	
	A045L939	C40 D6	
	A045L943	C50 D6	
	A045L966	C60 D6	
		<b>60Hz, 6L, 480/277V, 120C, 40C Ambient, IMS</b>	
	A045L891	C25 D6	
	A045L933	C30 D6	
	A045L938	C35 D6	
	A045L942	C40 D6	
	A045L965	C50 D6	
		<b>60Hz, 12L, 208/120V, 105C, 40C Ambient, IMS</b>	
	A045L931	C25 D6	
	A045L935	C30 D6	
	A045L940	C35 D6	
	A045L944	C40 D6	
	A045L967	C50 D6	
		<b>60Hz, 4L, 240/120V, 1Ph, 105C, 40C Ambient, IMS</b>	
	A045L890	C25 D6	
	A045L932	C30 D6	
	A045L937	C35 D6	
	A045L941	C40 D6	
	A045L964	C50 D6	
		<b>60Hz, 6L, 600/347V, 120C, 40C Ambient, IMS</b>	
	A045L930	C25 D6	
	A045L934	C30 D6	
	A045L939	C35 D6	
	A045L943	C40 D6	
		<b>60Hz, 12L, 240/120V, 120C, 40C Ambient</b>	
	A045L963	C10 D6	
	A045L889	C15 D6, C20 D6, C25 D6	
	A045L931	C30 D6	
	A045L935	C35 D6	
	A045L940	C40 D6	
	A045L944	C50 D6	
	A045L967	C60 D6	

**Generator – Complete (Continued)**

Item	Part No.	Description	Qty
		<b>60Hz, 12L, 240/120V, 105C, 40C Ambient, IMS</b>	
	A045L931	C25 D6	
	A045L935	C30 D6	
	A045L940	C35 D6	
	A045L944	C40 D6	
	A045L967	C50 D6	
		<b>60Hz, 12L, 600/347V, 105C, 40C Ambient, IMS</b>	
	A045L930	C25 D6	
	A045L934	C30 D6	
	A045L939	C35 D6	
	A045L943	C40 D6	
	A045L966	C50 D6	

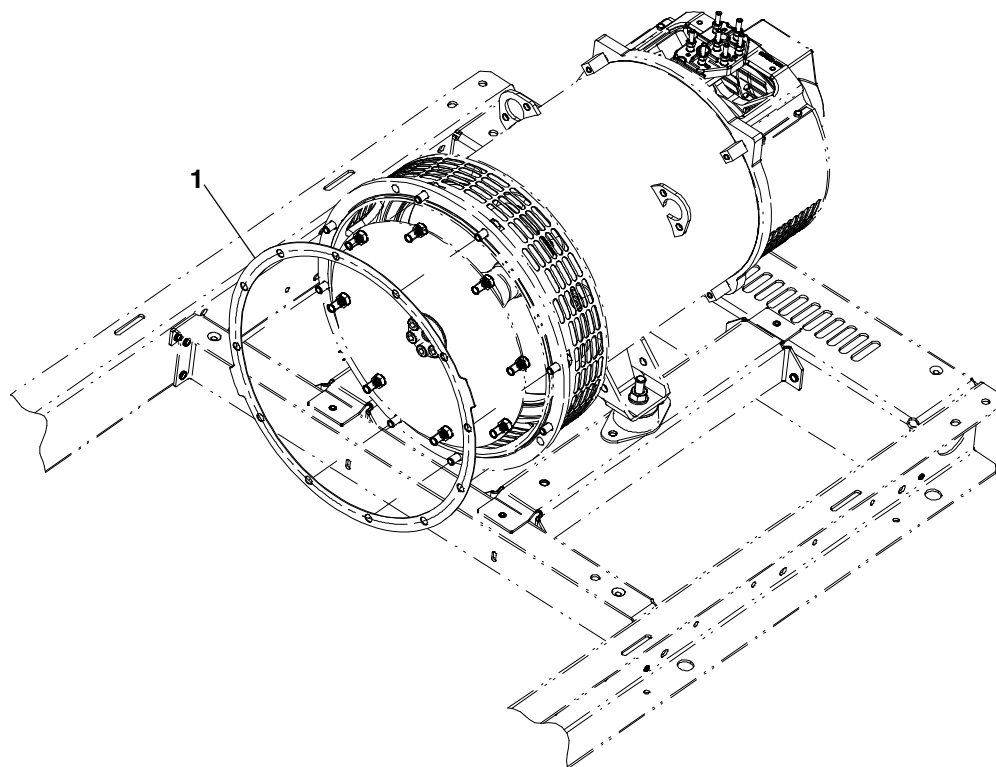
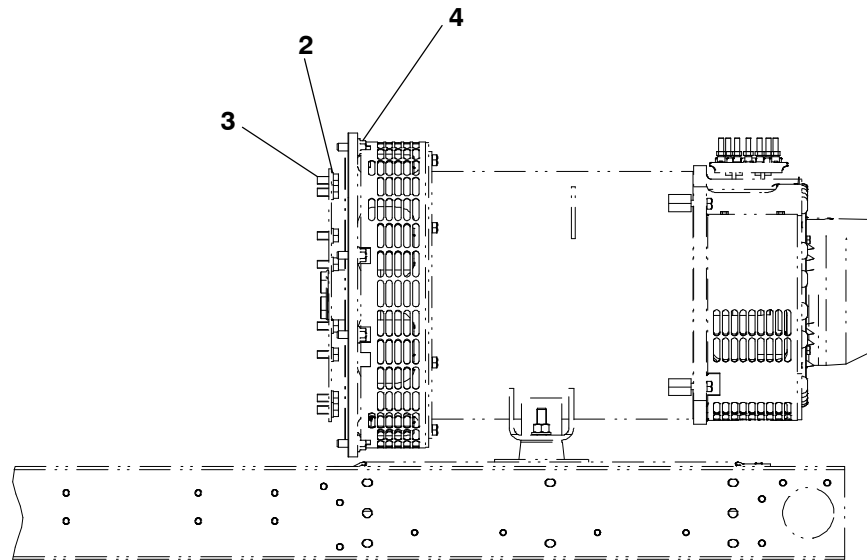
**EBS**  
**CA115**



Item	Part No.	Description	Qty
1	A049Y191	Harness, Alternating Current	1
2	A044G633	Kit, Excitation Boost System (Consists of the Following Parts)	1
	450-16006	Housing, Excitation Boost	1
	450-1048	Stator, Excitation Boost	1
	450-1043	Rotor, Excitation Boost	1
	450-16009	Cover, Generator End	1
	A045Y858	Cover, Generator End	1
	E000-14851	Module, Excitation Boost	1
	054-20508	Pin, Dowel	1
	005-04109	Screw, Hex Head	4
	016-40612	Screw, Hex Head	3
	005-04074	Screw, Hex Head	4
	052-45003	Tie, Cable	3
	015-41816	Bolt, Hex Head	1
	028-31509	Washer, Spring	1
	028-31506	Washer, Spring	6
	016-40620	Screw, Hex Head	3

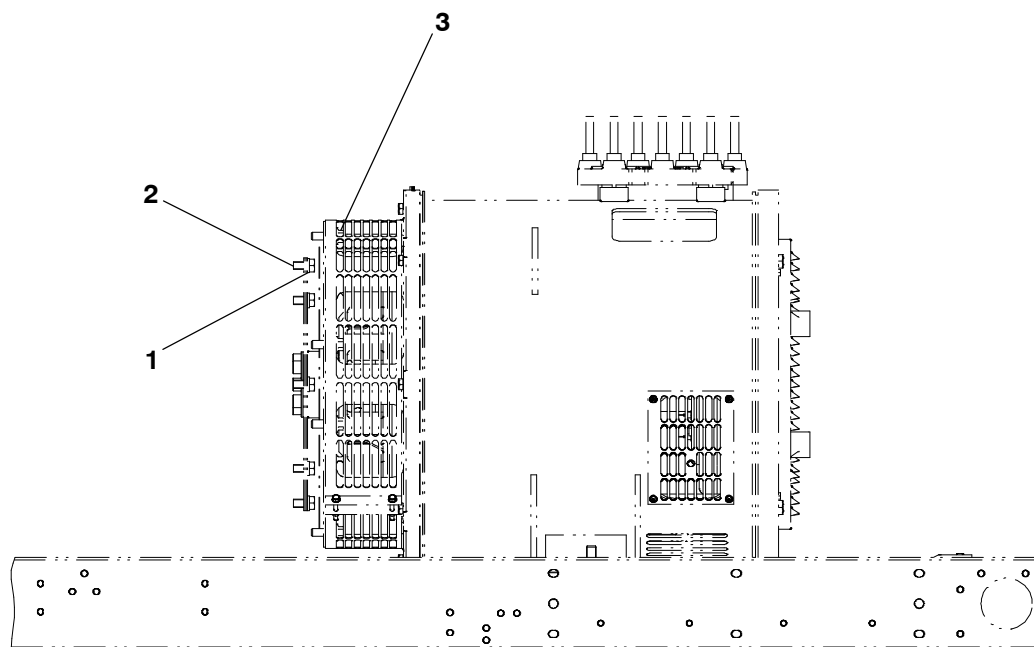


### Generator Fasteners – C10 D6, C15 D6, C20 D6



Item	Part No.	Description	Qty
1	A045J285	Spacer	1
2	A046A715	Washer, Flat	8
3	0800-2085	Screw, Hex Head	8
4	A046B991	Screw, Hex Flange Head	8

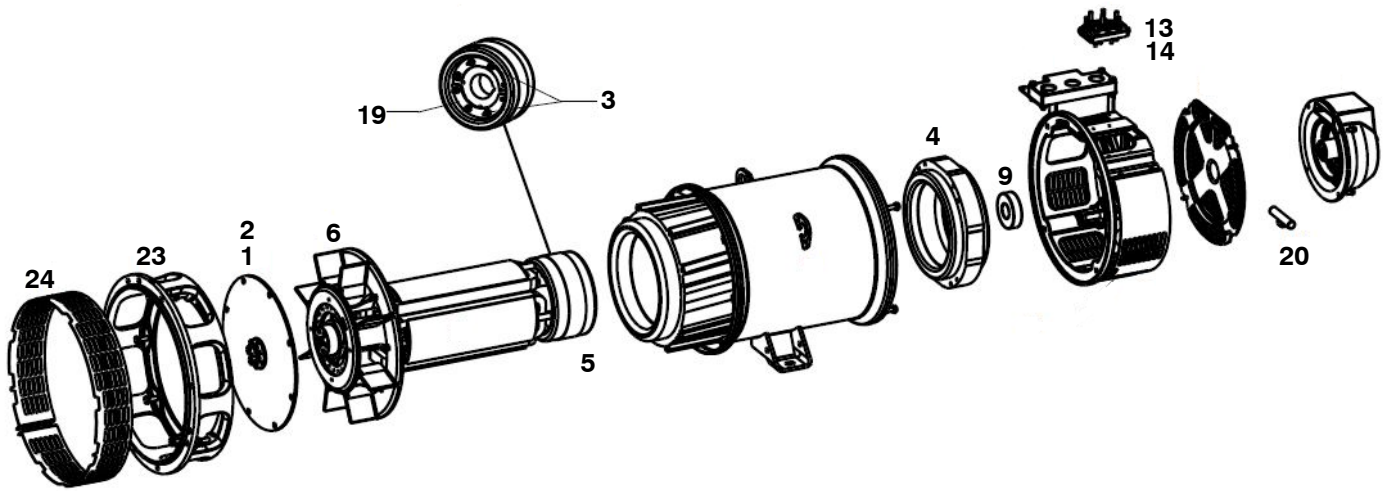
**Generator Fasteners – C25 D6, C30 D6, C35 D6, C40 D6, C50 D6, C60 D6**



Item	Part No.	Description	Qty
1	A046A715	Washer, Flat	8
2	0800-2085	Screw, Hex Head	8
3	A044B045	Screw, Hex Flange Head	8

This page is Intentionally blank.

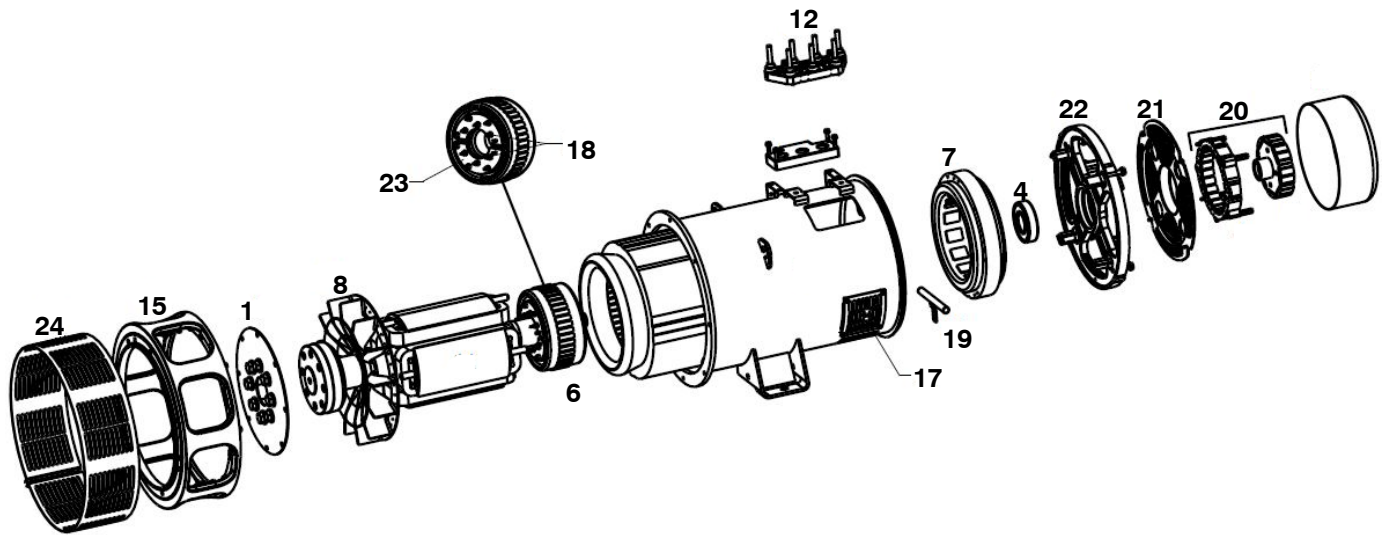
### Generator Service Parts (CA115)



## Generator Service Parts (CA115)

Item	Part No.	Description	Qty
1	A050J578	Kit, Generator Coupling Spares – 1.5MM (Includes Parts Marked *)	1
2	A050J565	Kit, Generator Coupling Spares – 3.0MM (Includes Parts Marked ^)	1
3	RSK-1101	Service Kit, Rectifier (Includes Parts Marked #)	1
4		Stator, Exciter	
	001-102712	20MM	1
	001-102713	25MM	1
	001-102714	30MM	1
	001-102715	34MM	1
	001-102716	38MM	1
5		Rotor, Exciter	
	190-1041	25MM	1
	191-1072	30MM	1
	190-1040	20MM	1
	191-1063	34MM	1
	191-1064	38MM	1
6		Fan	
	191-10042	290 DIA	1
	130-21296	230 DIA	1
	191-10059	344 DIA	1
7	003-25158	Grommet	1
8	050-11035	Circlip, External	1
9	45-0866	Bearing, NDE	1
10	051-21784	O'Ring	1
11	051-21792	O'Ring	1
12	130-21388	Hub, Fan – BC1	1
13	191-10252	Board, Terminal	1
14	191-10057	Block, Terminal	1
15	191-10143	Label, Connection	1
16	191-10197	Link, Terminal – P0/P1	1
17	450-16391	Label, Earthing – P0/P1	1
18	450-16430	Harness, Sensing	1
19	45-0427	Rotating Rectifier Assy	1
20	A045Z792	Heater, Cartridge	1
21	A042T816	CT Mounting Bracket, NDE	1
22	A042T818	CT Mounting Bracket, DE	1
23	A043Z322	Adapter	1
24	A044G874	Screen, DE	1
25	024-70618	*Screw, Cap Head (M10 x 35)	6
26	191-10078	*Disc, Coupling – SAE 10	1
27	130-21017	*Plate, Pressure – BC1	1
28	130-21017	^Plate, Coupling Pressure	1
29	024-70618	^Screw, Cap Head	6
30	191-10081	^Disc, Coupling	3
31	073-08063	#Varistor	1
32	130-1413	#Recitier, FWD – BC1	3
33	130-1414	#Recitier, REV – BC1	3

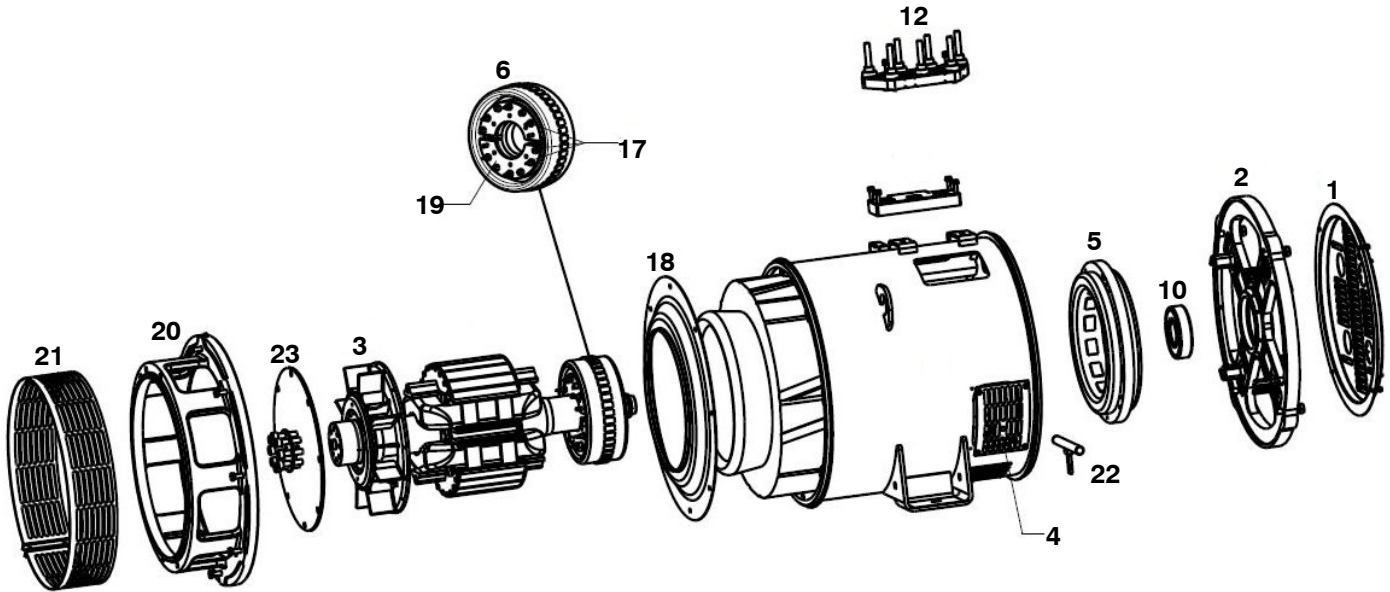
## Generator Service Parts (CA125)



## Generator Service Parts (CA125)

Item	Part No.	Description	Qty
1	A050J709	Kit, Generator Coupling Spares (Includes Parts Marked *)	2
2	030-02030	Label, Lighting	1
3	050-11035	Circlip, External	1
4	45-0867	Kit, NDE Bearing	1
5	051-21784	O'Ring	1
6		Rotor, Exciter	
	230-1000	30 MM	1
	230-1001	40 MM	1
7		Stator, Exciter	
	230-1208	30 MM	1
	230-1209	40 MM	1
8	230-10397	Fan, Diecast	1
9	330-10147	Link, Terminal	1
10	450-14875	Washer, Coupling Disc	1
11	450-15125	Label, Warning	1
12	450-15617	Panel, Terminal	1
13	450-16430	Harness, Sensing	1
14	A039Z973	Label, Connection	1
15	A042R604	Adapter, DE – SAE 4	1
16	A042R942	Bracket, NDE	1
17	A042T944	Screen, NDE Bottom	1
18	RSK-1101	Service Kit, Rectifier	1
19	A045Z790	Heater, Cartridge	1
20	A044G815	Kit, Complete PMG	1
21	A043U485	Cover, NDE (For Use Without PMG)	1
22	A042R942	Bracket, NDE	1
23	45-0427	Rotating Rectifier Assy.	1
24	A044G876	Screen, DE	1
25	230-10201	*Disc, Coupling – SAE 10	2
26	016-31144	*Screw, Hex Head (M16 x 35)	8
27	016-40917	*Screw, Hex Head	4
28	027-41209	*Nut, Hex	4
29	029-61109	*Washer, Flat	8
30	450-14875	*Washer, Flat	8

### Generator Service Parts (CA135)

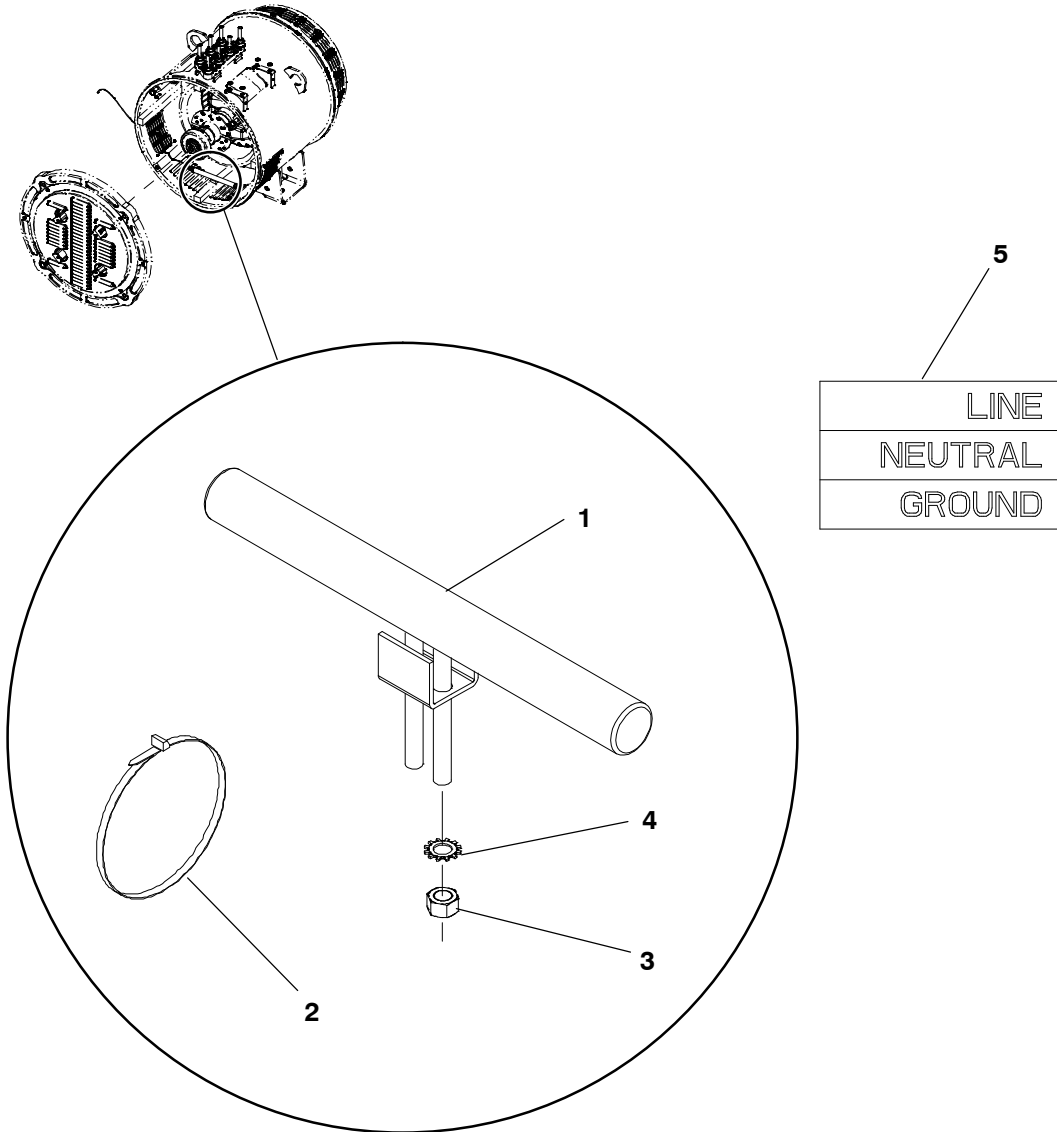




## Generator Service Parts (CA135)

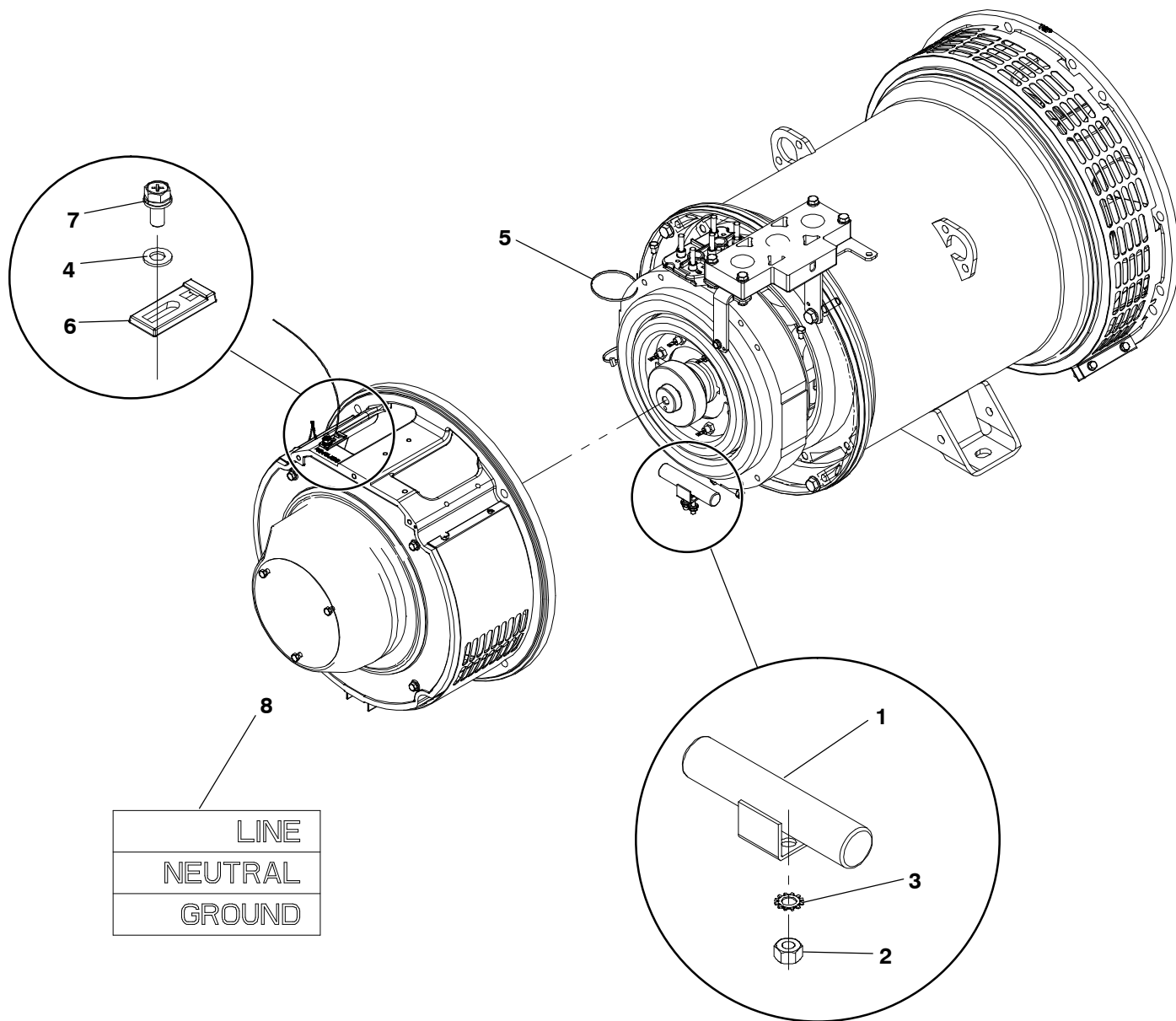
Item	Part No.	Description	Qty
1	001-102355	Cover, NDE – W/O PMG	1
2	001-102572	Bracket, NDE End	1
3	001-102711	Fan, 360 Diameter	1
4	001-102736	Cover, Access – NDE Bottom	1
5	001-102754	Stator, Exciter	1
6	001-102755	Rotor, Exciter	1
7	024-70618	*Screw, Cap Head	8
8	030-02030	Label, Lighting	1
9	050-11035	Circlip, External	1
10	45-0867	Bearing, NDE	1
11	051-21784	O'Ring	1
12	230-10624	Panel, Terminal	1
13	330-10147	Link, Terminal	1
14	450-15125	Label, Warning	1
15	450-16430	Harness, Sensing	1
16	A039Z973	Label, Connection	1
17	RSK-2001	Service Kit, Rectifier	1
18	A044B890	Baffle	1
19	45-0427	Rotating Rectifier Assy.	1
20	A044B086	Kit, Adapter	1
21	A044G878	Screen, DE	1
22	A043V417	Heater, Cartridge	1
23	A050J723	Kit – Generator Coupling Spares (Includes Parts Marked *)	1
24	016-40917	*Screw, Hex Head	4
25	027-41209	*Nut	4
26	029-61109	*Washer, Flat	8
27	001-102581	*Disc, Coupling	3
28	001-102609	*Plate, Pressure	1

**Generator Heater**  
**120V, 100W**



Item	Part No.	Description	Qty
1	A045Z790	Heater, Generator	1
2	0332-0942	Tie, Cable	2
3	0860-2006	Nut, Hex	2
4	0853-2005	Washer, Lock	2
5	A046G477	Label, Marking	1

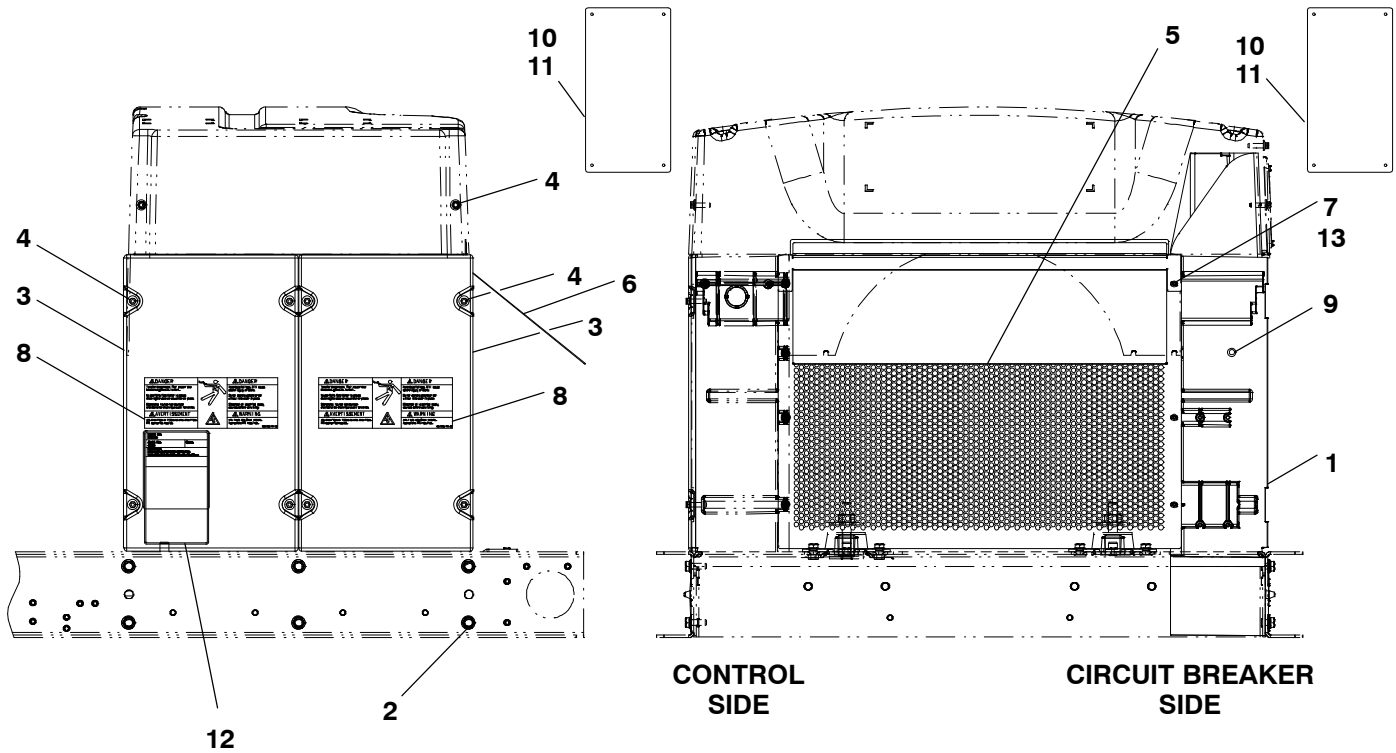
## Generator Heater 120V, 30W



Item	Part No.	Description	Qty
1	A045Z792	Heater, Generator	1
2	0860-2006	Nut, Hex	2
3	0853-2005	Washer, Lock	2
4	0526-2060	Washer, Flat	1
5	0332-0942	Tie, Cable	2
6	A046F900	Base, Cable Tie	1
7	0815-1556-03	Screw, Hex Head	1
8	A046G477	Label, Marking	1

## Terminal Box

C25 D6, C30 D6, C35 D6, C40 D6, C50 D6, C60 D6



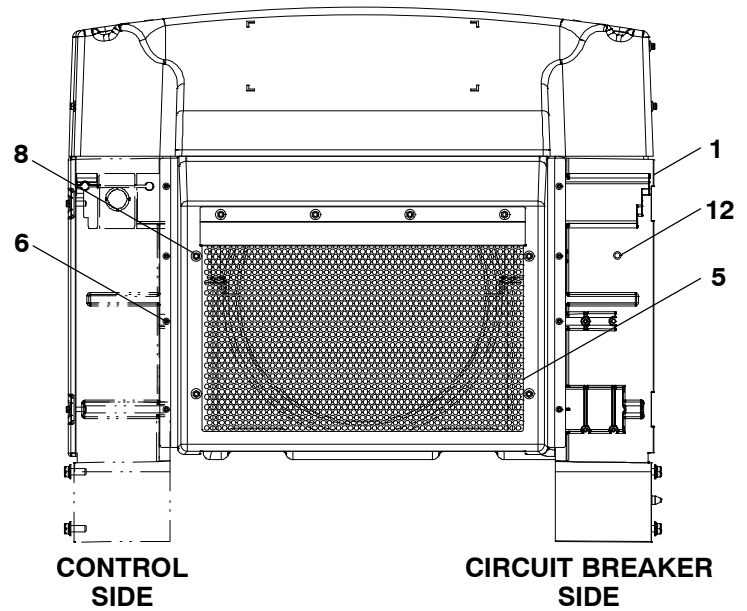
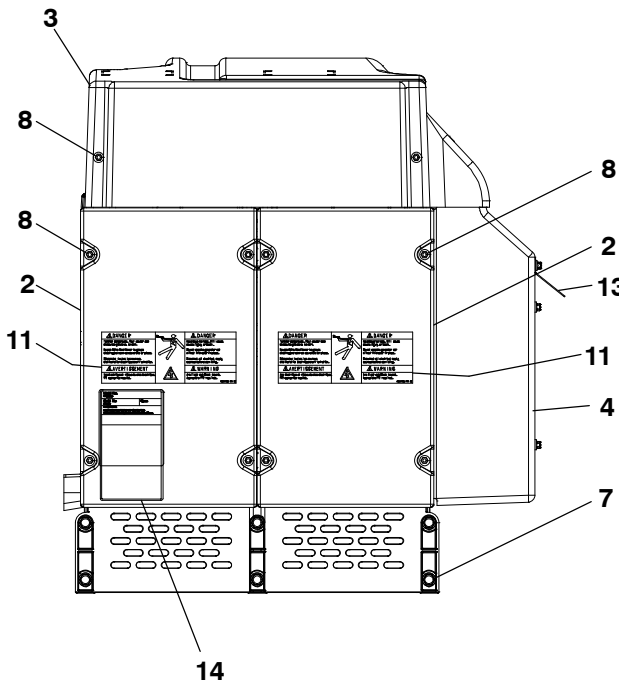
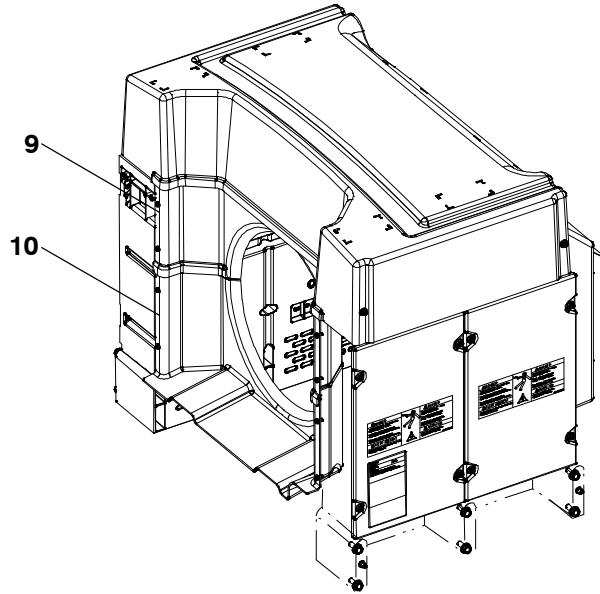
CA115 Configuration Shown

Item	Part No.	Description	Qty
1	A042X733	Box, Plastic	1
2	0800-6524-02	Screw, Hex Flange Head	12
3	A042X758	Cover, Box	2
4	0815-0857-02	Screw, Hex Head	14
5	A043M830	Panel, Mesh	1
6	A046L032	Shield, Rain	1
7	A048E352	Screw, Pan Head	8
8	A044F254	Label, Warning	2
9	A041K566	Button, Push	1
10		Panel, Terminal Box	
	A043U936	Used With CA115	2
	A044C631	Used With CA125	2
11	A048E352	Screw, Pan Head	4
12	0878-0034-02	Laminate, Label Cover	1
13	0526-0008	Washer, Flat	6

This page is Intentionally blank.

# Terminal Box

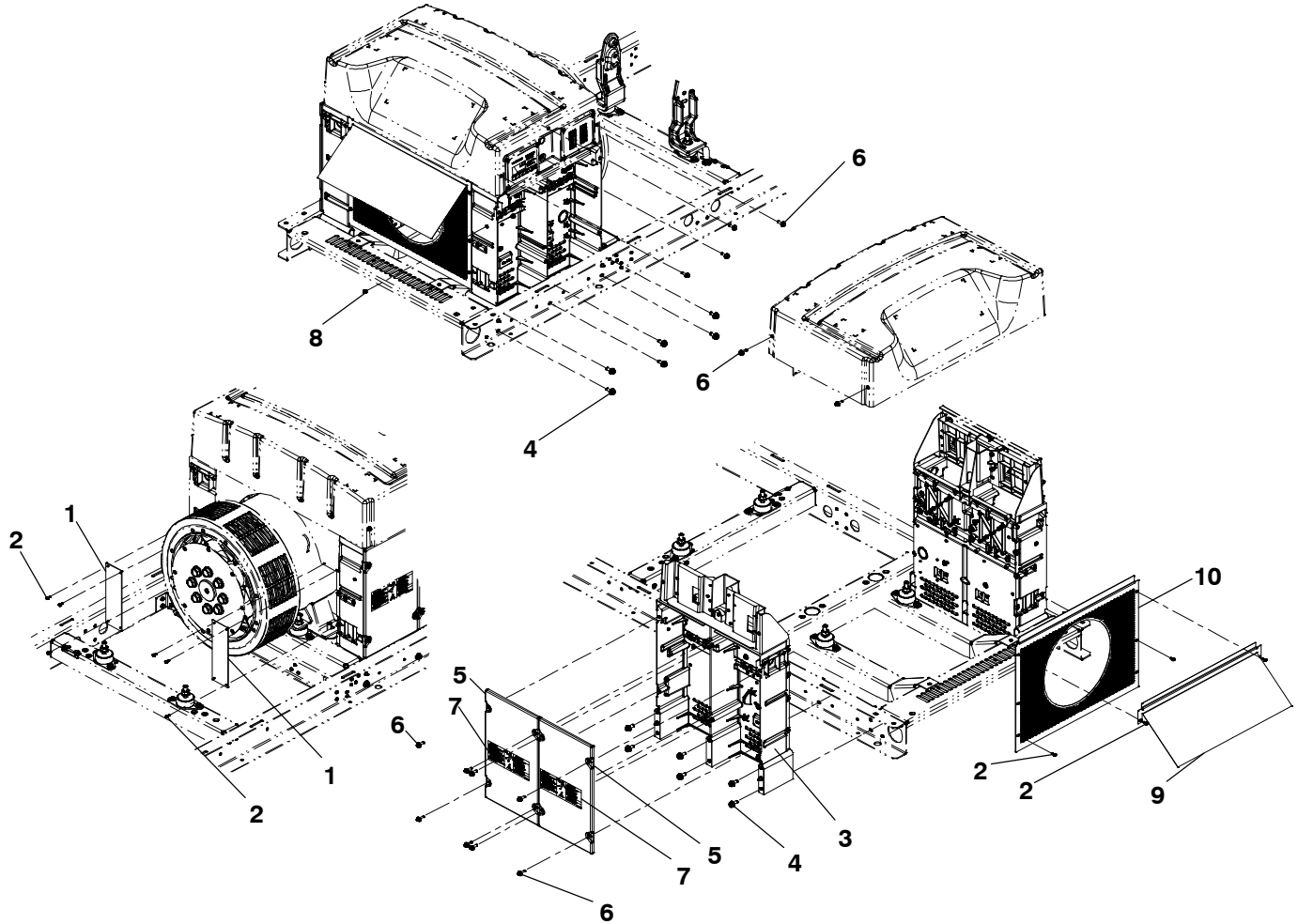
## C10 D6, C15 D6, C20 D6



**Terminal Box**  
**C10 D6, C15 D6, C20 D6**

Item	Part No.	Description	Qty
1	A042X733	Box, Plastic	1
2	A042X758	Cover, Box	2
3	A044H451	Cover, Terminal Block	1
4	A044C838	Guard, Alternator	1
5	A044N178	Panel, Mesh	1
6	A048E352	Screw, Pan Head	16
7	0800–6524–02	Screw, Hex Flange Head	12
8	0815–0857–02	Screw, Hex Head	22
9	A044H456	Guard, Alternator	1
10	A044H459	Guard, Alternator	1
11	A044F254	Label, Warning	2
12	A041K566	Button, Push	1
13	A046L034	Shield, Rain	1
14	0878–0034–02	Laminate, Label Cover	1

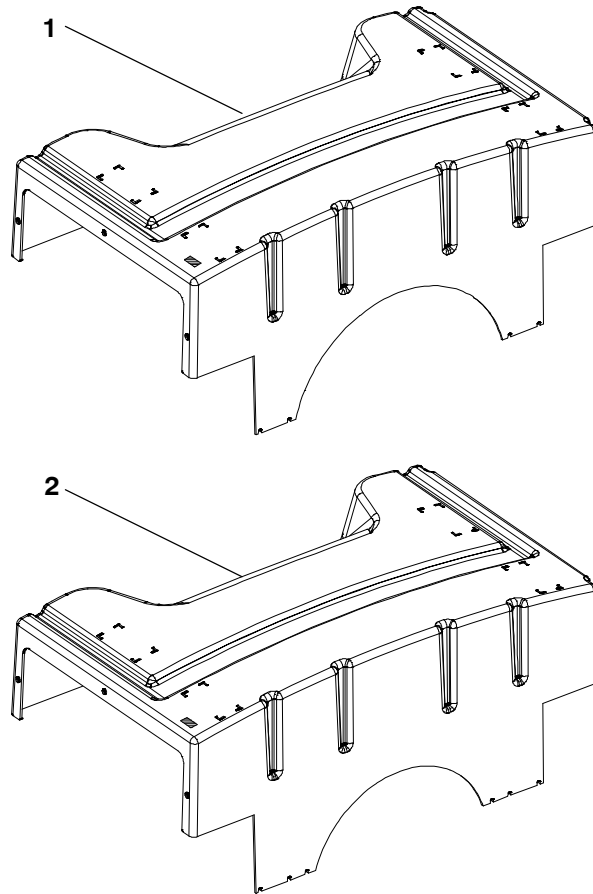
**Terminal Box (CA125, CA135)  
 C40 D6, C50 D6, C60 D6**



Item	Part No.	Description	Qty
1	A044C631	Panel, Terminal Box	2
2	A042Y727	Screw, Pan Head	12
3	A042X733	Box, Plastic	1
4	0800-6524-02	Screw, Hex Flange Head	12
5	A042X758	Cover, Box	2
6	0815-0857-03	Screw, Hex Head	14
7	A044F254	Label, Warning	2
8	A041K566	Button, Push	1
9	A046L032	Shield, Rain	1
10	A043C496	Panel, Mesh	1

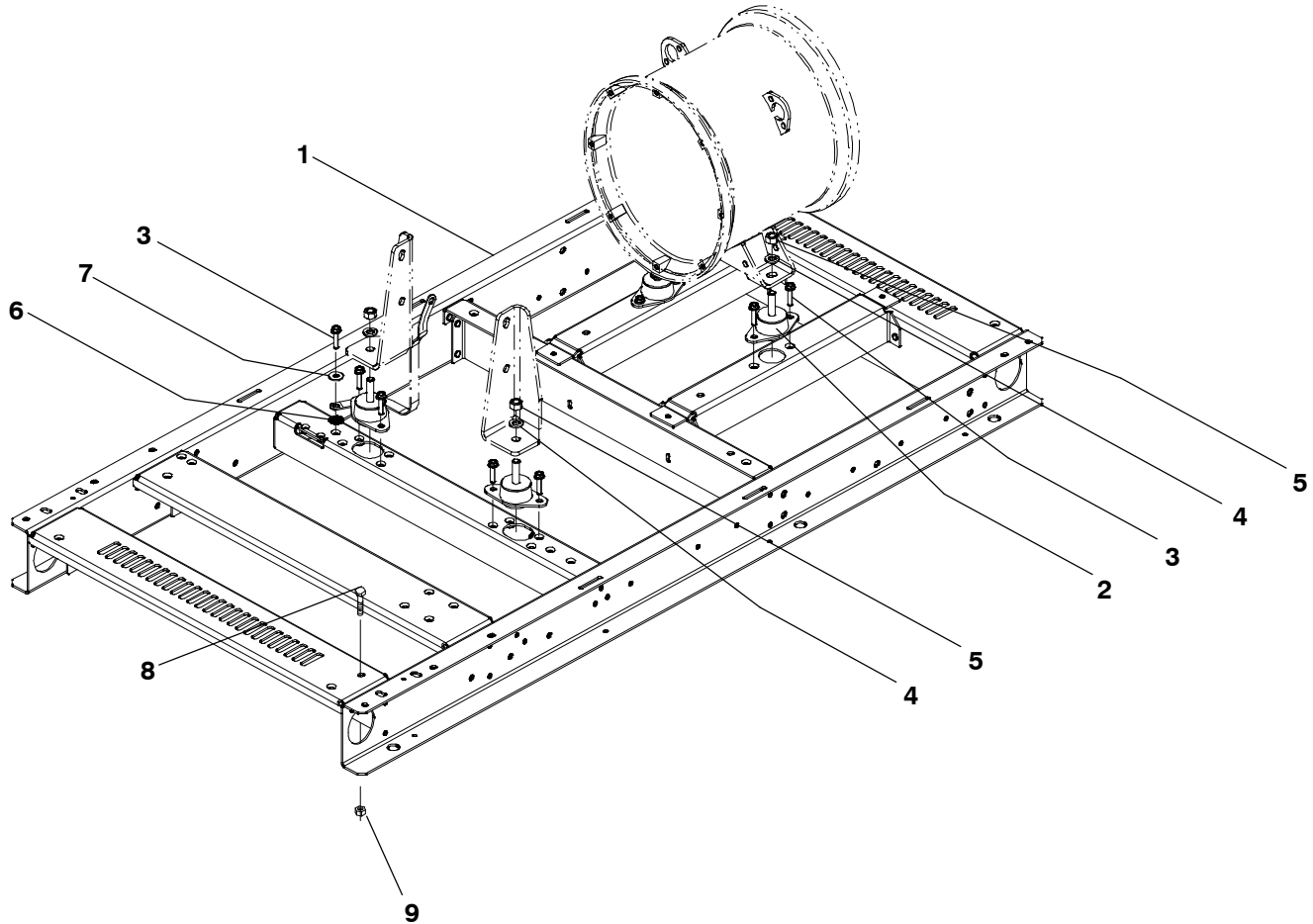


## Panel Roof



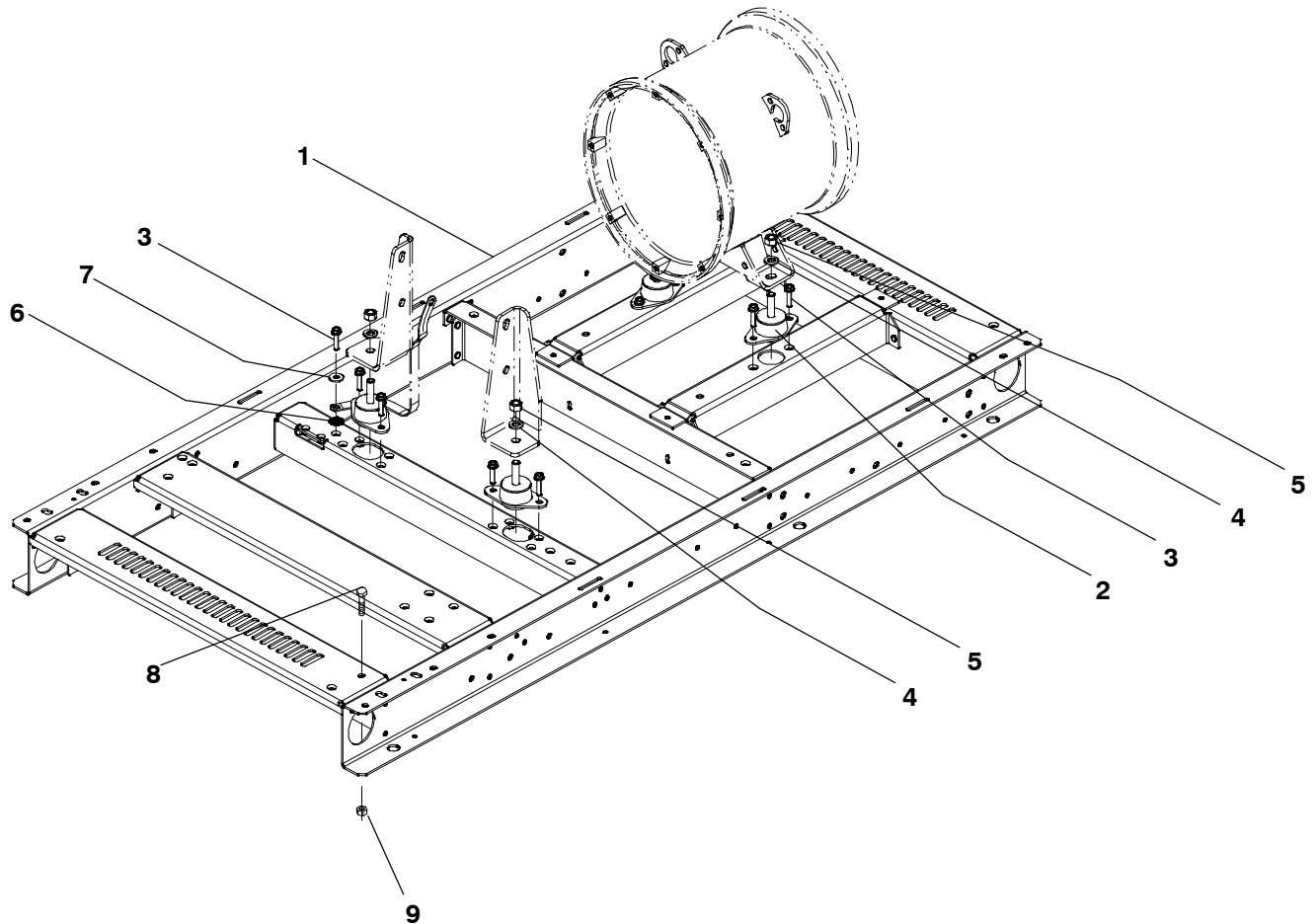
Item	Part No.	Description	Qty
1	A044A515	Roof, Panel (CA125) – C35 D6, C40 D6, C50 D6, C60 D6	1
2	A043Y556	Roof, Panel (CA115) – C25 D6, C30 D6, C35 D6, C40 D6	1

**Skid**  
**C10 D6, C15 D6**



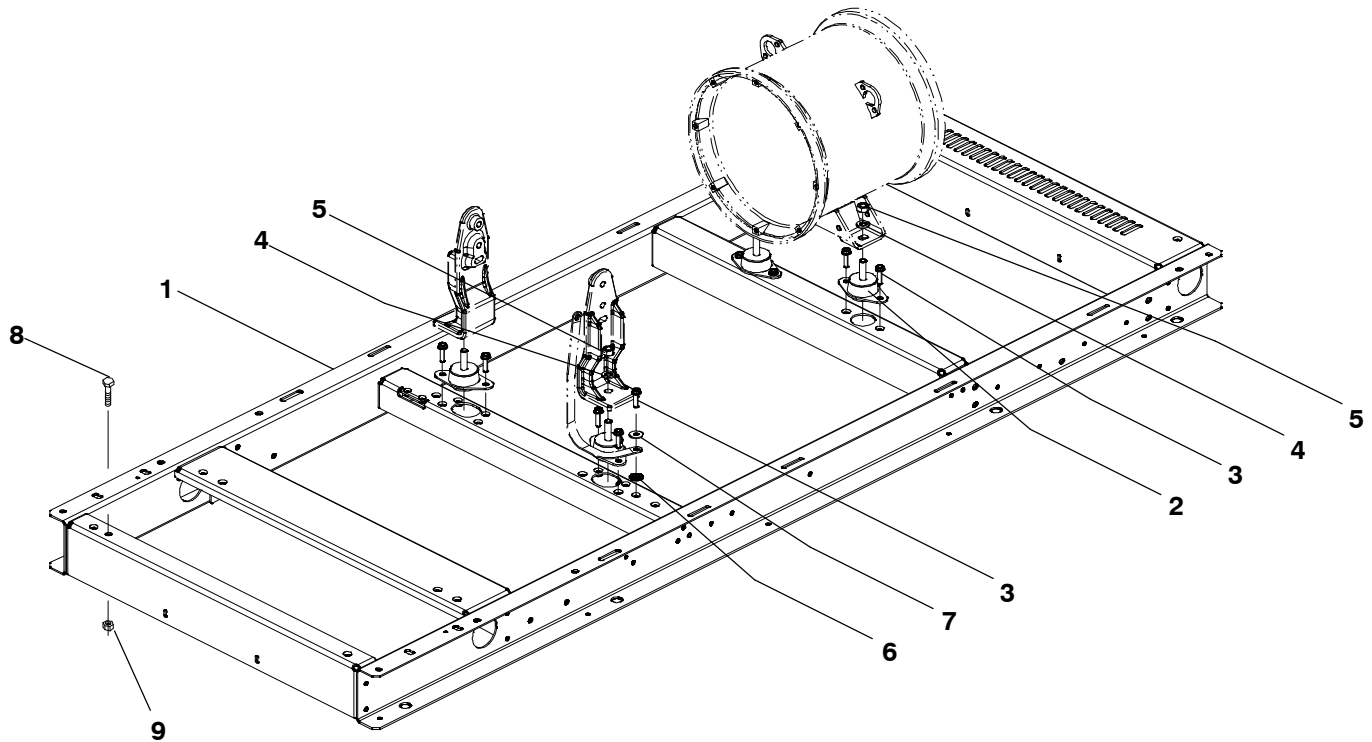
Item	Part No.	Description	Qty
1	A060D281	Chassis	1
2	A043Y321	Isolator, Vibration	4
3	0815-0781	Screw, Hollow Head	9
4	A045U373	Washer, Flat	4
5	0862-0026-57	Nut, Hex	4
6	0856-0010	Washer, Lock	1
7	0526-0399-61	Washer, Flat	1
8	0821-6002-02	Screw, Hex Head	6
9	0870-2065-02	Nut, Hex Flange	6

**Skid  
 C20 D6**



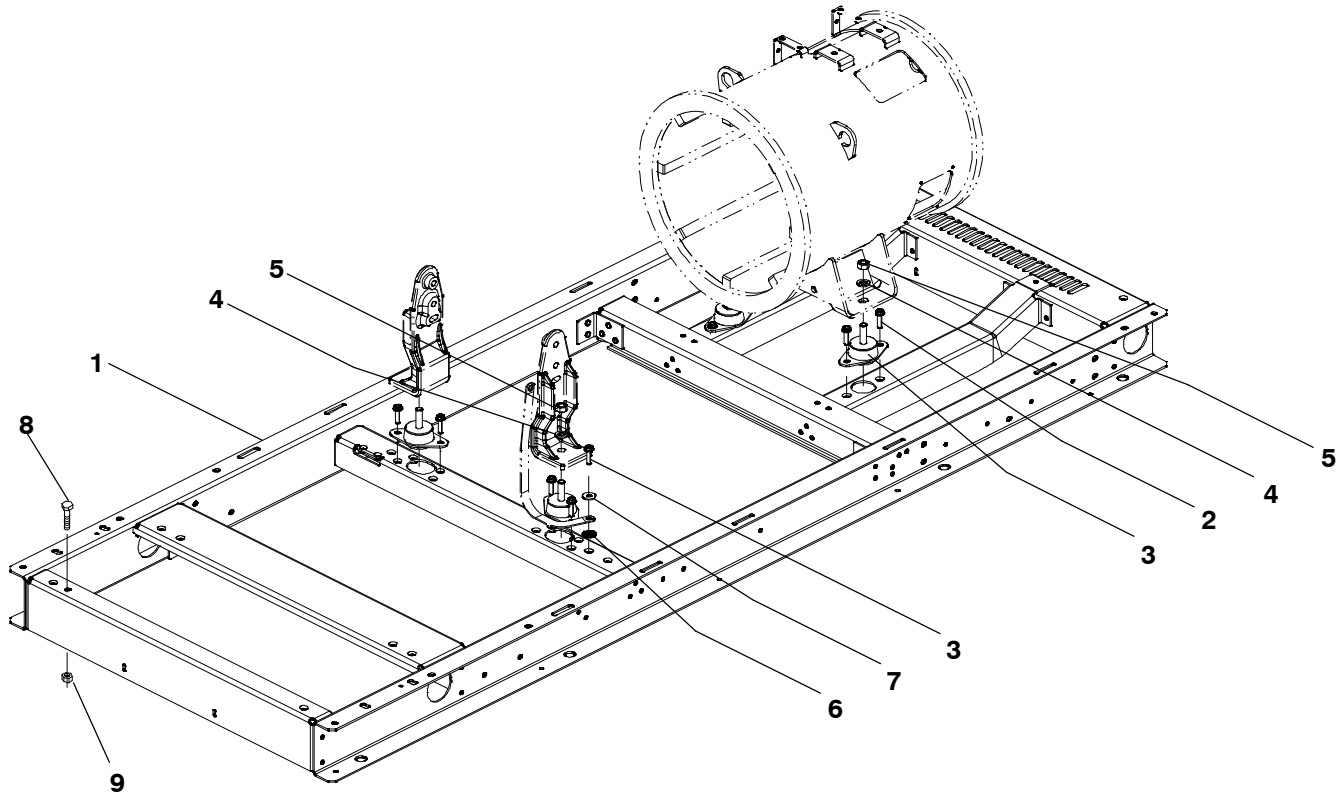
Item	Part No.	Description	Qty
1	A060D287	Chassis	1
2	A043Y321	Isolator, Vibration	4
3	0815-0781	Screw, Hollow Head	9
4	A045U373	Washer, Flat	4
5	0862-0026-57	Nut, Hex	4
6	0856-0010	Washer, Lock	1
7	0526-0399-61	Washer, Flat	1
8	0821-6002-02	Screw, Hex Head	6
9	0870-2065-02	Nut, Hex Flange	6

**Skid – C25 D6, C30 D6, C35 D6, C40 D6**



Item	Part No.	Description	Qty
1	A060D291	Chassis	1
2	A043Y321	Isolator, Vibration	4
3	0815-0781	Screw, Hollow Head	9
4	A045U373	Washer, Flat	4
5	0862-0026-57	Nut, Hex	4
6	0856-0010	Washer, Lock	1
7	0526-0399-61	Washer, Flat	1
8	0821-6002-02	Screw, Hex Head	6
9	0870-2065-02	Nut, Hex Flange	6

**Skid – C35 D6, C40 D6, C50 D6, C60 D6**

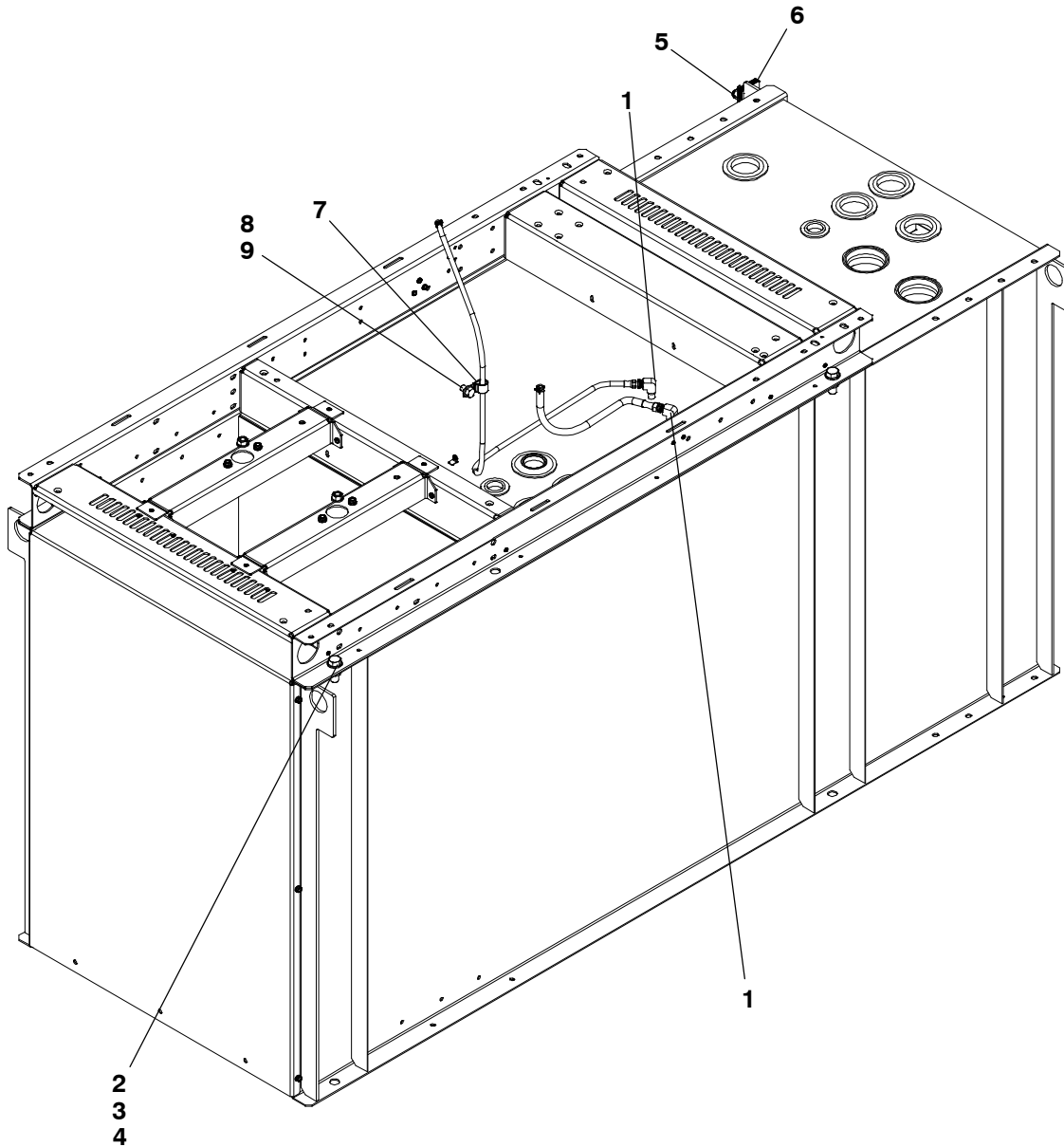


Item	Part No.	Description	Qty
1	A060D293	Chassis	1
2	A043Y321	Isolator, Vibration	4
3	0815-0781	Screw, Hollow Head	9
4	A045U373	Washer, Flat	4
5	0862-0026-57	Nut, Hex	4
6	0856-0010	Washer, Lock	1
7	0526-0399-61	Washer, Flat	1
8	0821-6002-02	Screw, Hex Head	6
9	0870-2065-02	Nut, Hex Flange	6

## Fuel Tank

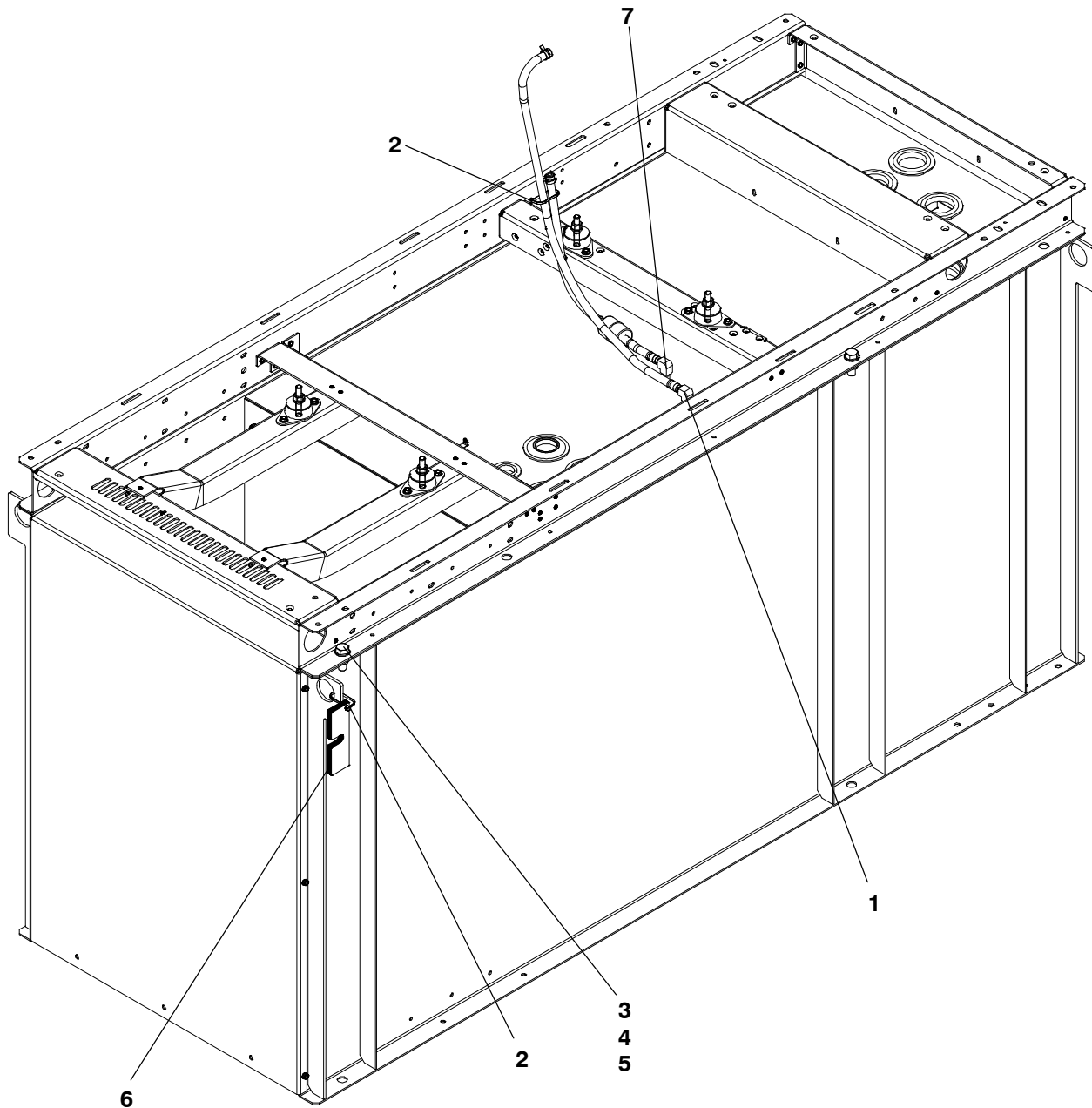
Item	Part No.	Description	Qty
		<b>Tank, Fuel – Basic, 2 Wall, Sub Base, 24Hr Minimum</b>	
1	A045T328	46 Gallon (C10 D6, C15 D6, C20 D6)	1
2	A045T332	132 Gallon (C35 D6, C40 D6, C50 D6, C60 D6)	1
3	A045T330	74 Gallon (C25 D6, C30 D6)	1
		<b>Tank, Fuel – Basic, 2 Wall, Sub Base, 48Hr Minimum</b>	
4	A045T334	91 Gallon (C10 D6, C15 D6, C20 D6)	1
5	A045D209	263 Gallon (C50 D6, C60 D6)	1
6	A045T336	195 Gallon (C30 D6, C35 D6, C40 D6)	1
7	A045T332	132 Gallon (C25 D6)	1
		<b>Tank, Fuel – Regional, 2 Wall, Sub Base, 24Hr Minimum</b>	
8	A045T330	74 Gallon (C10 D6, C15 D6, C20 D6)	1
9	A045T342	132 Gallon (C35 D6, C40 D6, C50 D6, C60 D6)	1
10	A045T340	74 Gallon (C25 D6, C30 D6)	1
		<b>Tank, Fuel – Regional, 2 Wall, Sub Base, 48Hr Minimum</b>	
11	A045T332	132 Gallon (C20 D6)	1
12	A045T330	74 Gallon (C10 D6, C15 D6)	1
13	A045T344	195 Gallon (C30 D6, C35 D6, C40 D6)	1
14	A045T342	132 Gallon (C25 D6)	1
15	A046U786	263 Gallon (C50 D6, C60 D6)	1
		<b>Tank, Fuel – Regional, 2 Wall, Sub Base, 72Hr Minimum</b>	
16	A045T336	195 Gallon (C20 D6)	1
17	A045T332	132 Gallon (C10 D6, C15 D6)	1
18	A045T344	195 Gallon (C25 D6)	1
19	A046U828	389 Gallon (C40 D6, C50 D6, C60 D6)	1
20	A046U786	263 Gallon (C30 D6, C35 D6)	1
		<b>Tank, Fuel – Regional, 2 Wall, Sub Base, 96Hr Minimum</b>	
21	A045T336	195 Gallon (C15 D6, C20 D6)	1
22	A045T332	132 Gallon (C10 D6)	1
23	A046U828	389 Gallon (C30 D6, C35 D6, C40 D6)	1
24	A046U786	263 Gallon (C25 D6)	1

### Fuel Tank Line Connections – C10 D6, C15 D6, C20 D6



Item	Part No.	Description	Qty
1	A048T648	Elbow, Female	2
2	0526-0399-66	Washer, Flat	8
3	0800-3017-73	Screw, Hex Head	4
4	0862-0026-58	Nut, Hex	4
5	0332-0941	Tie, Cable	1
6	A046V710	Shim	10
7	0332-2921	Clamp, J	1
8	0526-0219	Washer, Flat	1
9	0800-0088	Screw, Hex Head	1

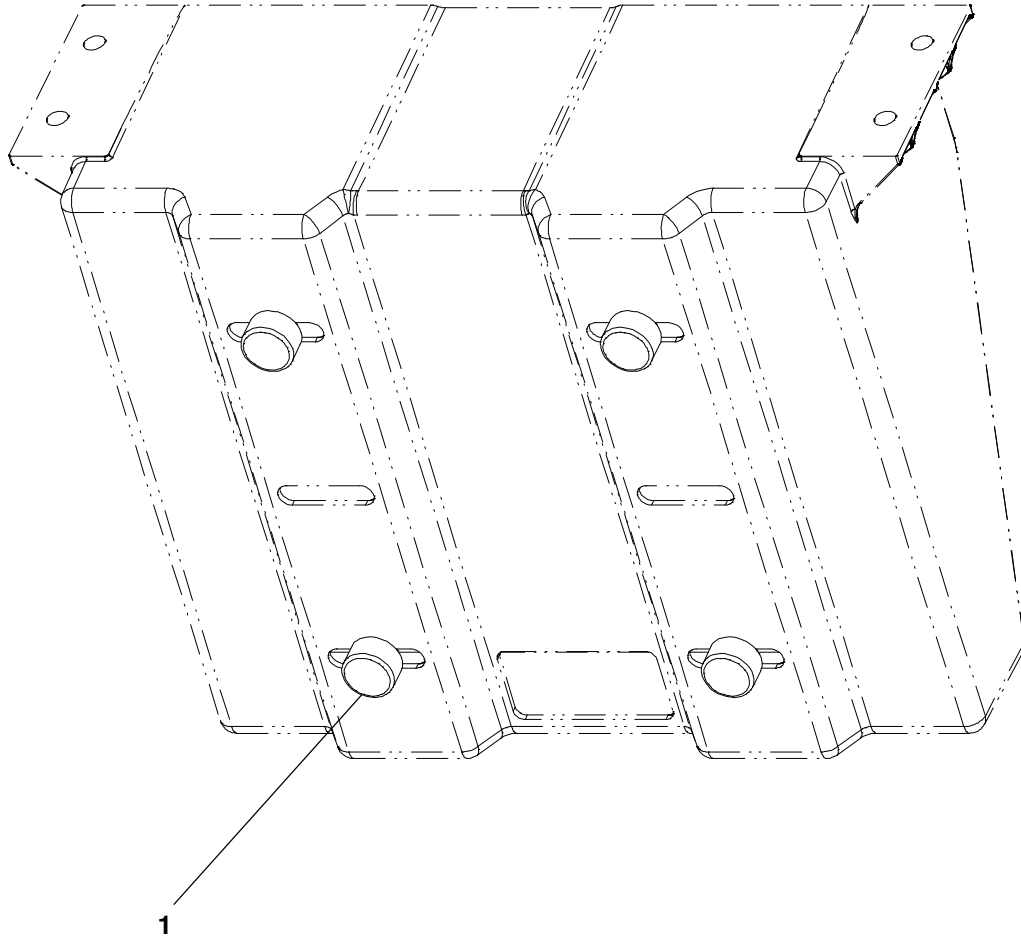
**Fuel Tank Line Connections – C25 D6, C30 D6, C35 D6, C40 D6, C50 D6, C60 D6**



Item	Part No.	Description	Qty
1	A048T648	Elbow, Female	1
2	0332-0941	Tie, Cable	2
3	0526-0399-66	Washer, Flat	8
4	0800-3017-73	Screw, Hex Head	4
5	0862-0026-58	Nut, Hex	4
6	A046V710	Shim	10
7	A048T650	Elbow, Male Female	1

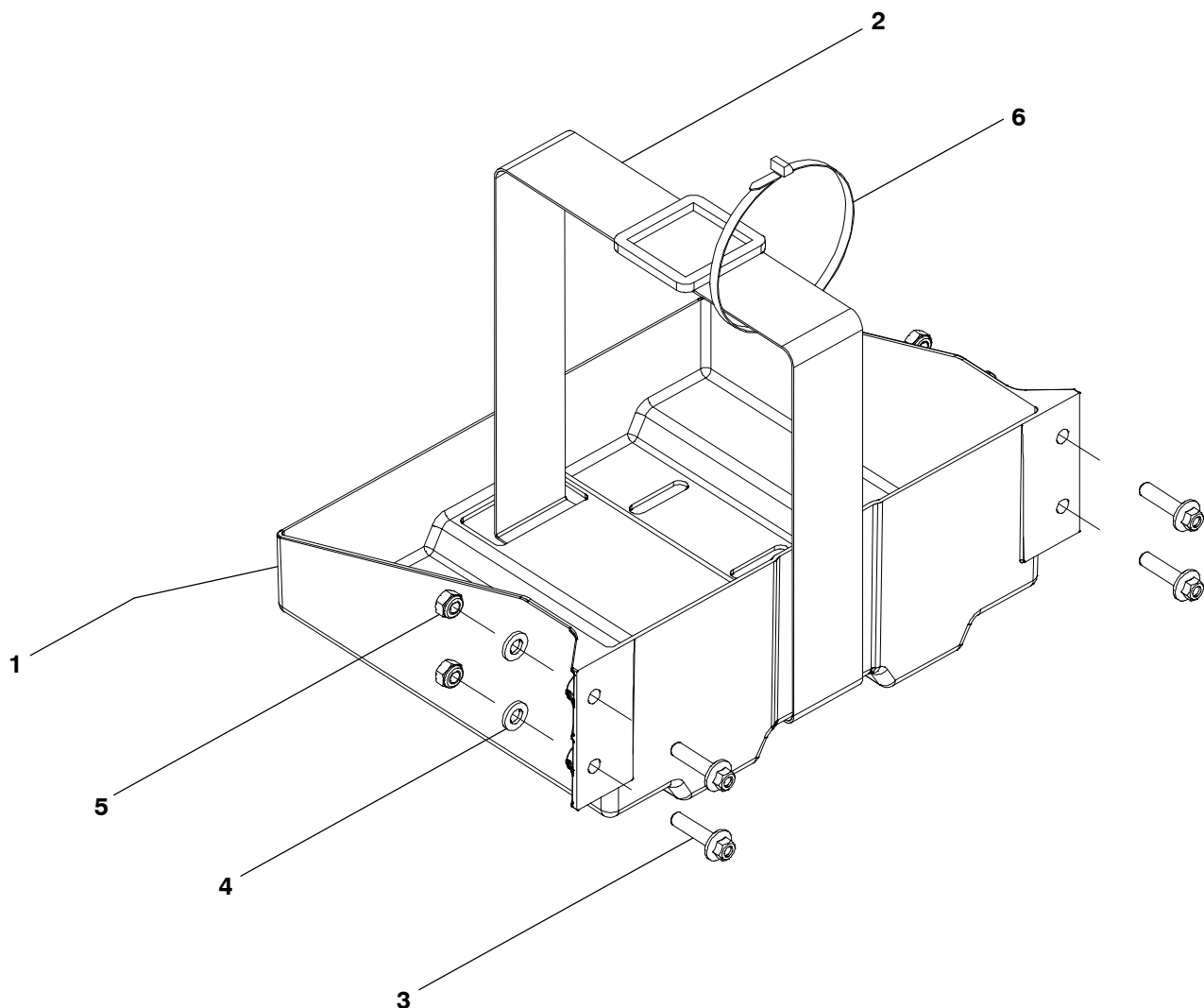


### Battery Tray Spacer (Used With Fuel Tanks)



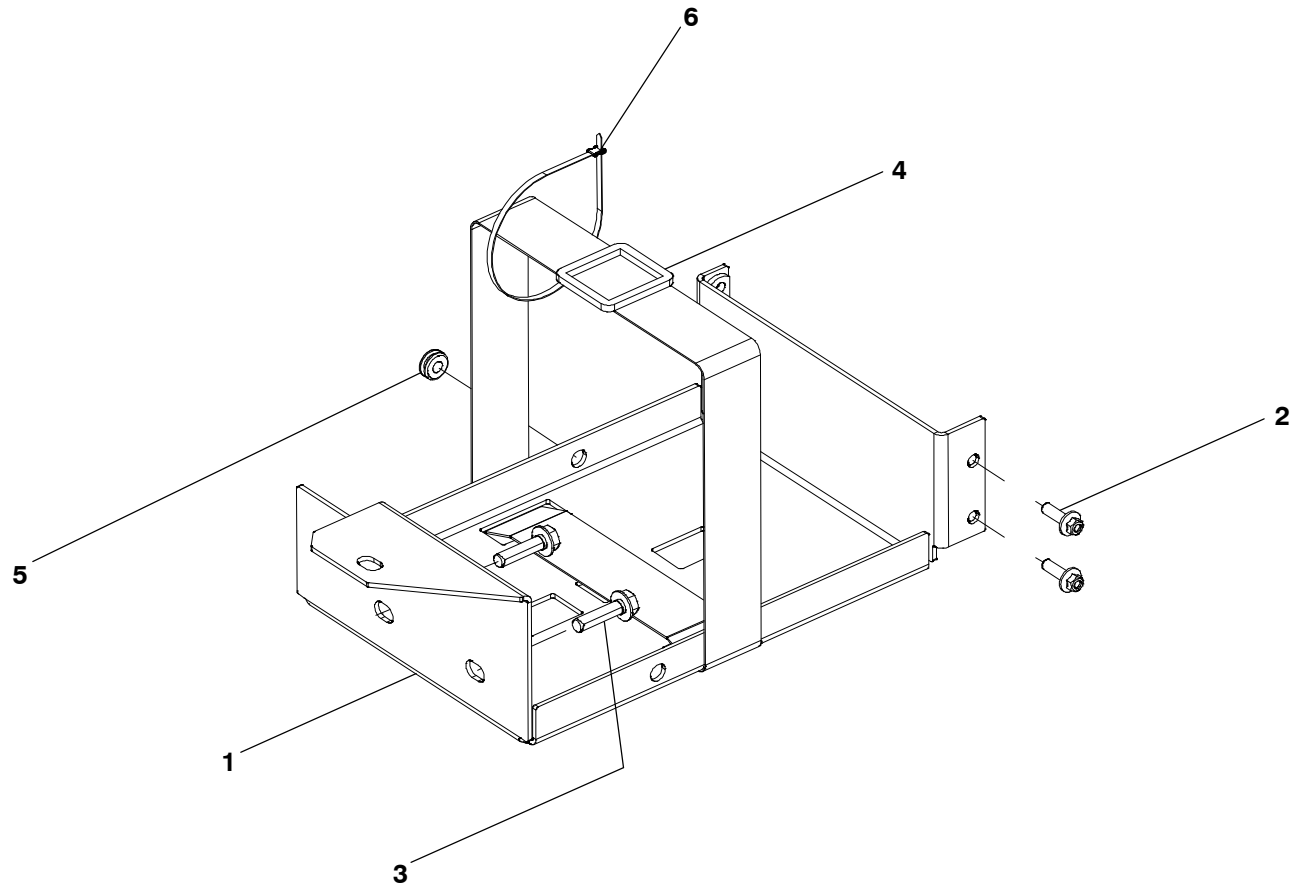
Item	Part No.	Description	Qty
1	A046W954	Bumper	4

## Battery Tray



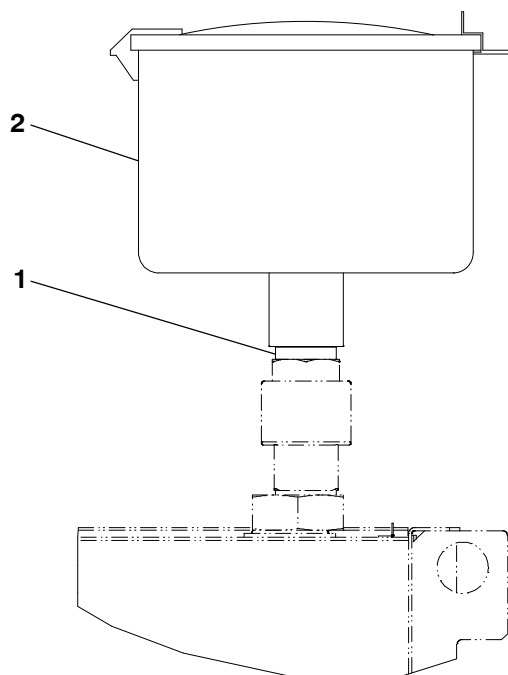
Item	Part No.	Description	Qty
1	A043F517	Tray, Battery	1
2	A044G477	Strap, Battery	1
3	0815-0857-04	Screw, Hex Head	4
4	0526-0018	Washer, Flat	4
5	0870-0506	Nut, Nylon Lock	4
6	0332-1794	Tie, Cable	1

### Battery Tray – Cold Weather



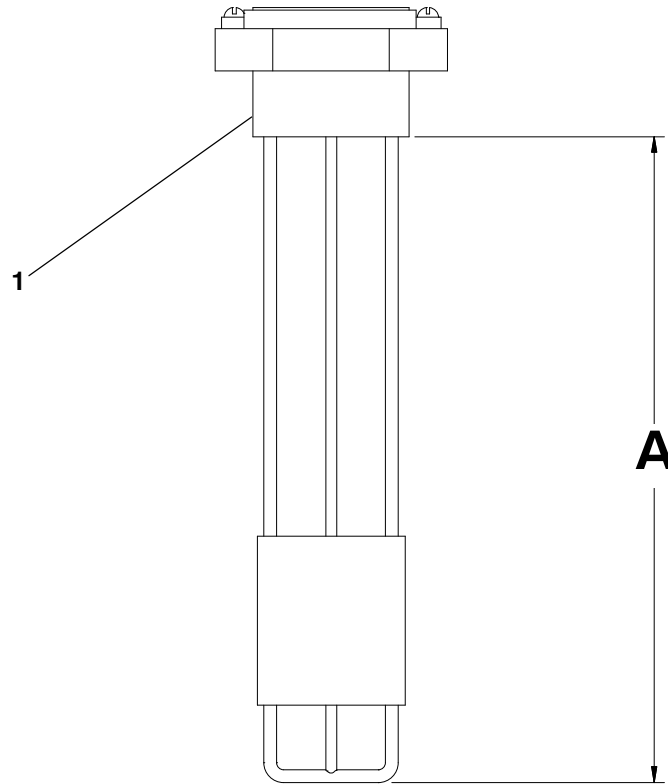
Item	Part No.	Description	Qty
1	A045P639	Tray, Battery	1
2	0815-0857-03	Screw, Hex Head	2
3	0815-0781	Screw, Hollow Head	2
4	A044G477	Strap, Battery	1
5	0508-0228	Grommet	1
6	0332-1794	Tie, Cable	1

## Spill Box



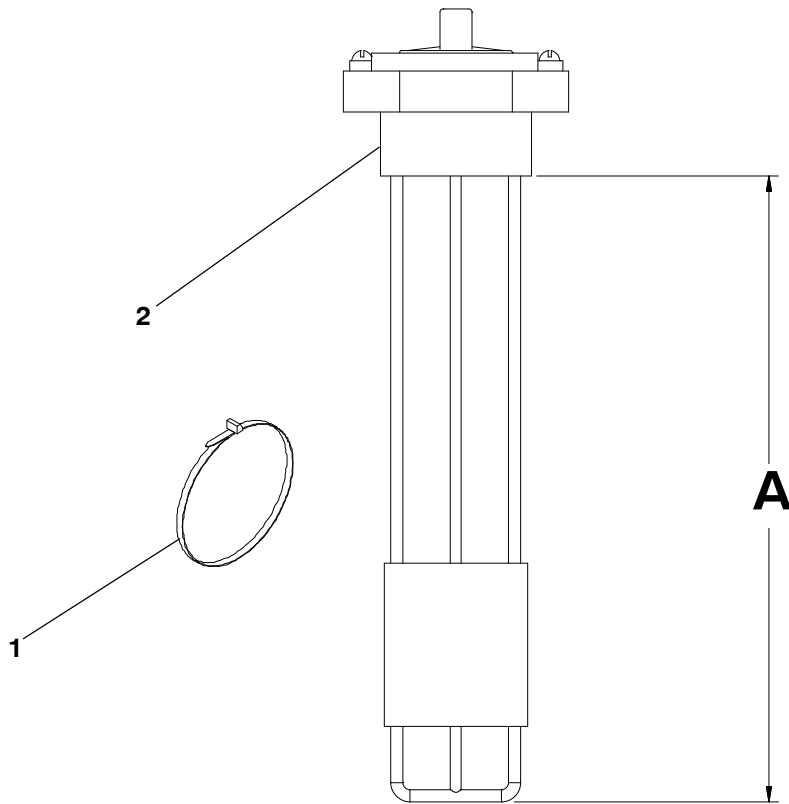
Item	Part No.	Description	Qty
1	0505-0172	Nipple, Close (Not Used In All Installations)	1
2	A045T481	Tank, Fuel	1

## Fuel Gauge – Mechanical



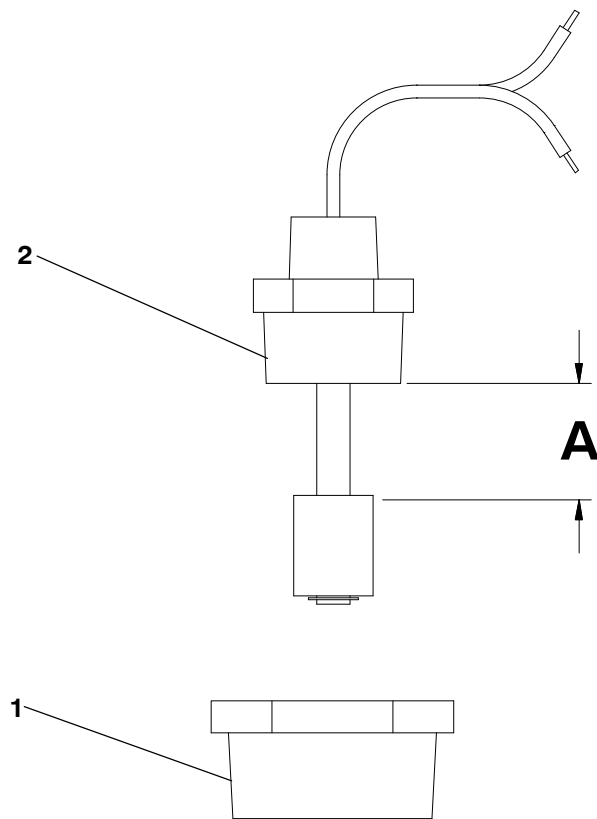
Item	Part No.	Description	Qty
1		Gauge, Level	
	A045T447	Dimension A = 194.3mm	1
	A045T452	Dimension A = 259.0mm	1
	A045T454	Dimension A = 317.5mm	1
	A046P243	Dimension A = 339.9mm	1
	A046P247	Dimension A = 488.9mm	1
	A046P251	Dimension A = 683.3mm	1
	A046P254	Dimension A = 741.7mm	1
	A046P256	Dimension A = 998.2mm	1

## Fuel Gauge – Electrical



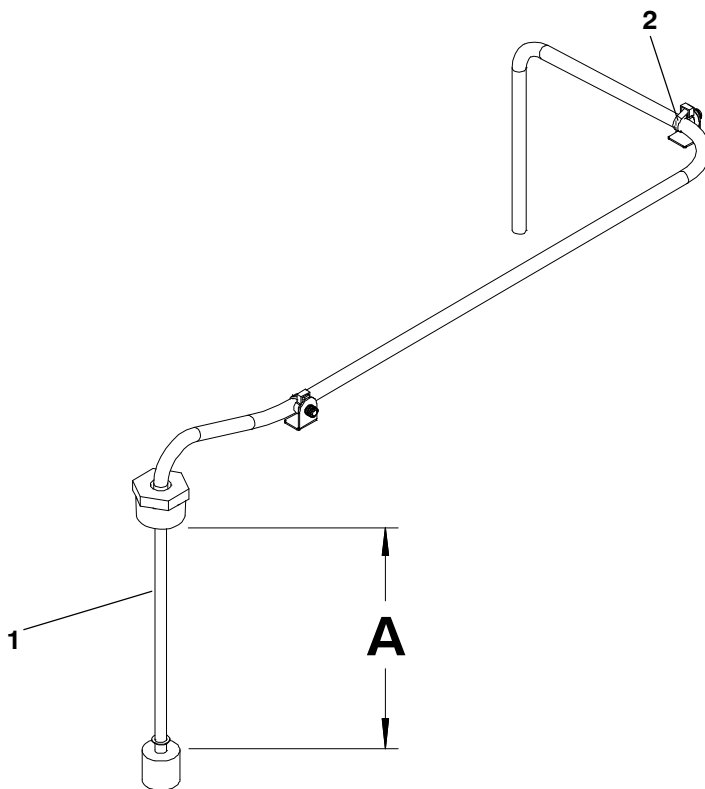
Item	Part No.	Description	Qty
1	0332-0941	Tie, Cable	1
2		Sensor, Level	
	A046P545	Dimension A = 194.3mm	1
	A046P547	Dimension A = 259.0mm	1
	A046P552	Dimension A = 317.5mm	1
	A046P554	Dimension A = 339.9mm	1
	A046P556	Dimension A = 488.9mm	1
	A046P560	Dimension A = 683.3mm	1
	A046P562	Dimension A = 741.7mm	1
	A046P564	Dimension A = 998.2mm	1

## High Fuel Switch



Item	Part No.	Description	Qty
1	0505-0394	Bushing, Reducer	1
2		Switch, Fuel Level	
	A045T375	Dimension A = 63.5mm	1
	A045T377	Dimension A = 101.6mm	1

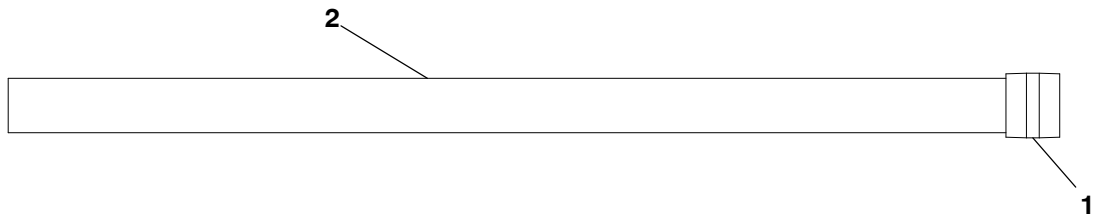
## Low Fuel Shutdown



Item	Part No.	Description	Qty
1		Switch, Fuel Level	
	A045T356	Dimension A = 127mm	1
	A045T358	Dimension A = 193mm	1
	A045T360	Dimension A = 355.6mm	1
	A045T379	Dimension A = 533.4mm	1
2	A044D694	Tie, Cable	2

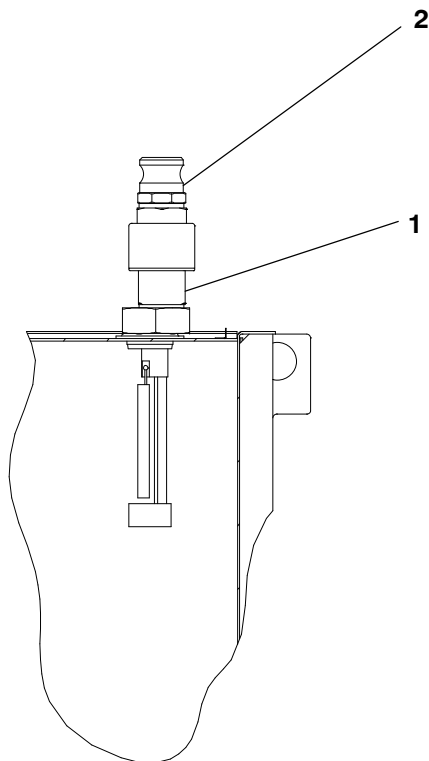


## Fuel Tank Tube



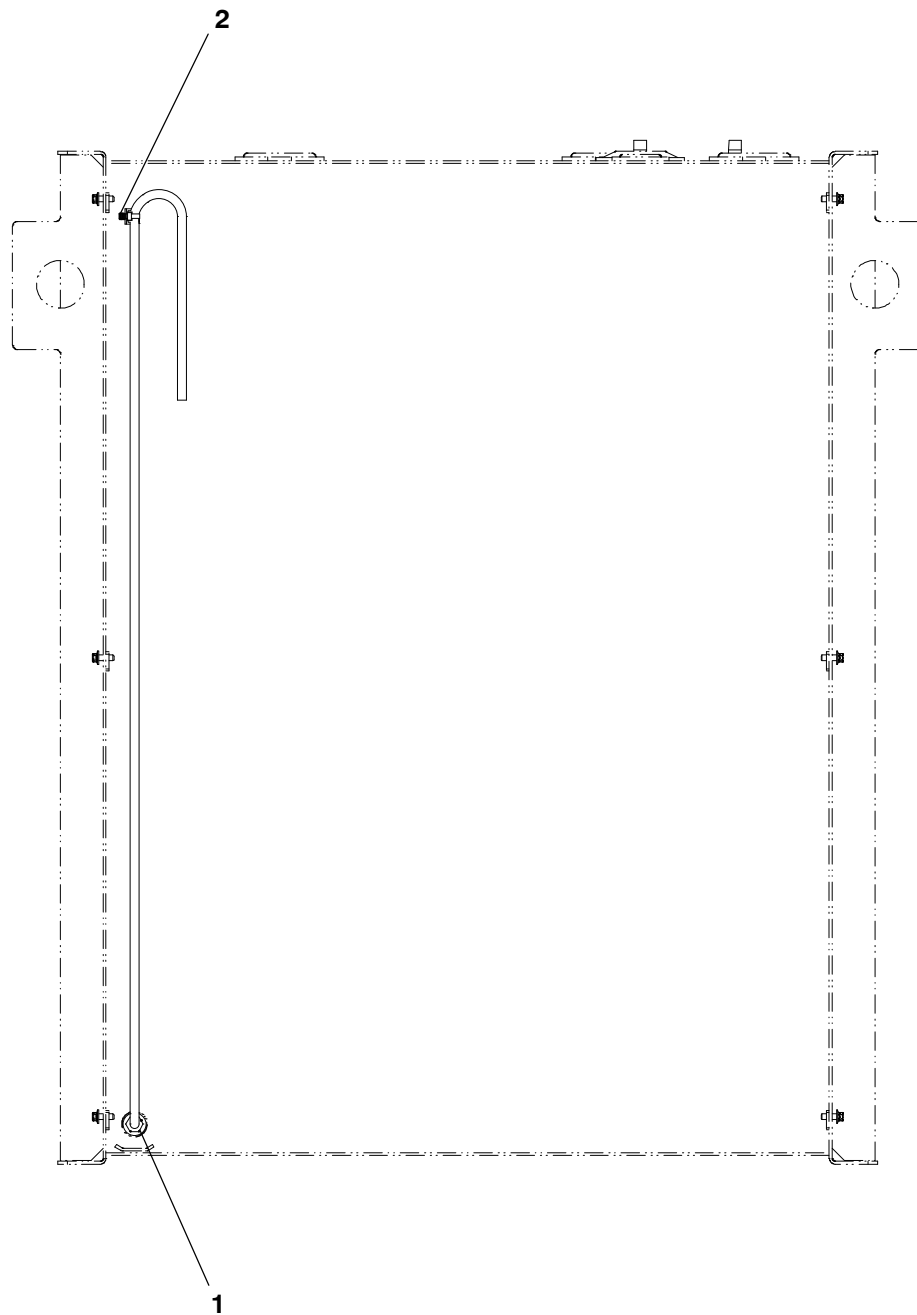
Item	Part No.	Description	Qty
1	0505-0172	Nipple, Close	1
2		Steel, Tube	
	A046K985	294.6mm	1
	A046K986	497.8mm	1
	A046K987	701mm	1
	A046K988	980.4mm	1
	A046K980	167.6mm	1

## Valve



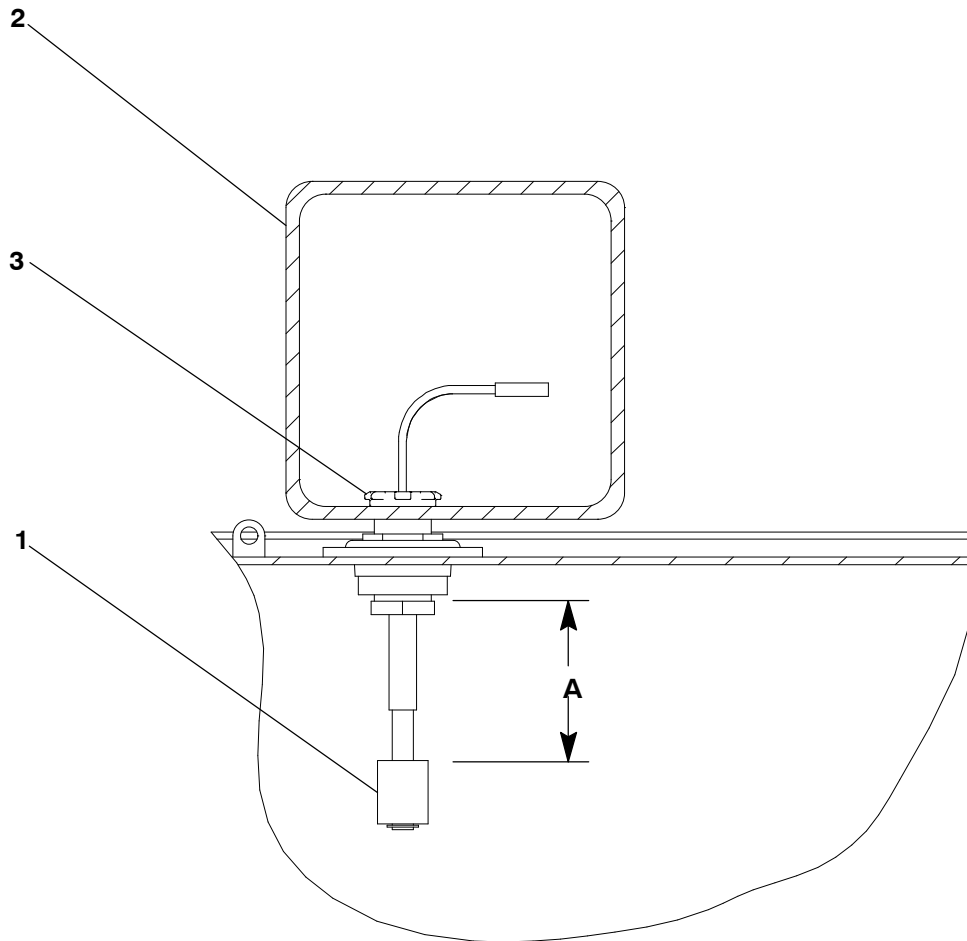
Item	Part No.	Description	Qty
1	A045T464	Valve	1
2	A046P417	Adapter, Coupling	1

### Fuel Switch – Rupture Basin



Item	Part No.	Description	Qty
1	A045T397	Switch, Fuel Level	1
2	A044D694	Tie, Cable	1

## High Fuel Alarm

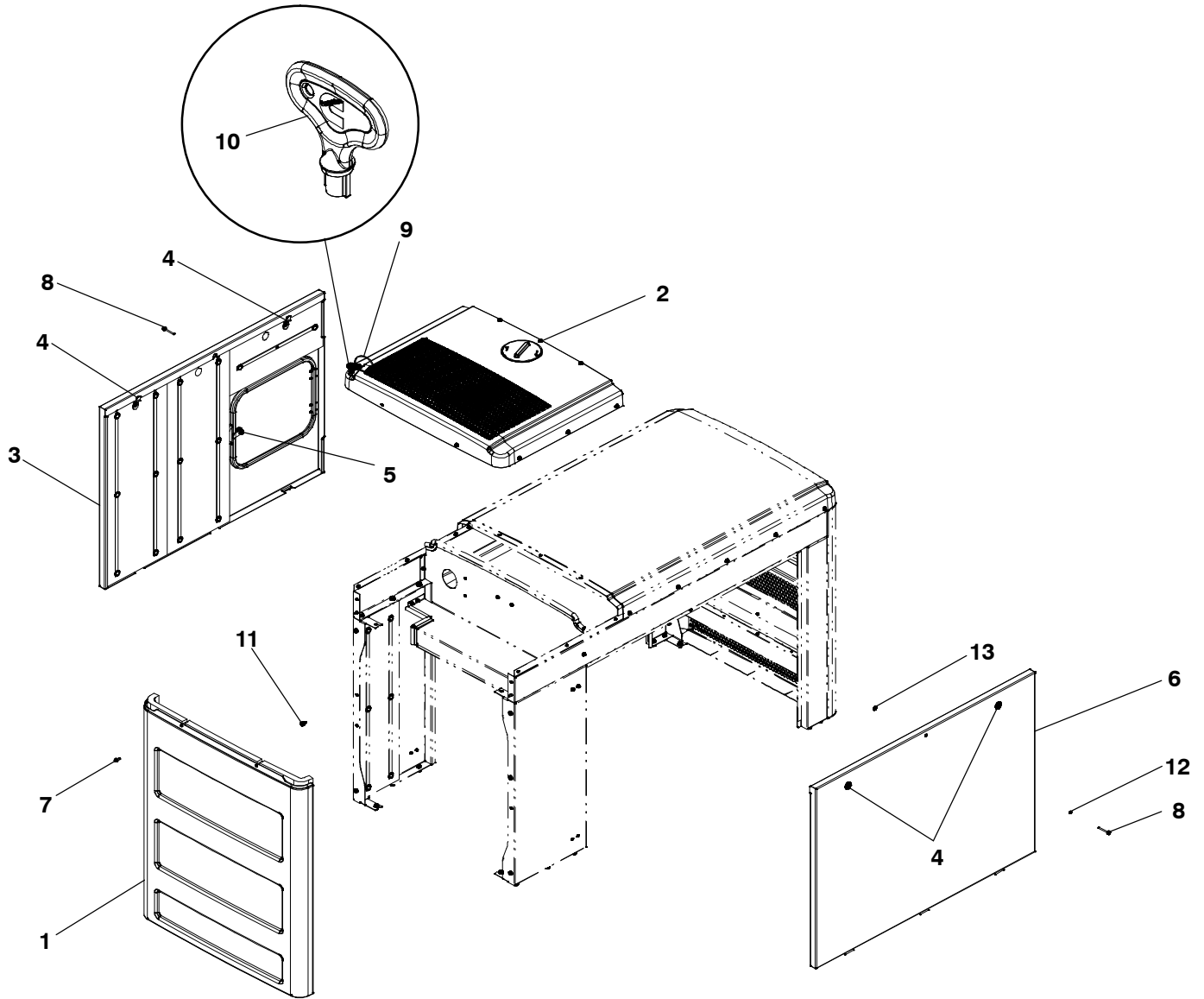


Item	Part No.	Description	Qty
1		Switch, Fuel Level	
	A045T375	63.5mm	1
	A045T377	101.6mm	1
2	A045T423	Module, Alarm	1
3	0331-0532	Nut, Sealing Lock	1

This page is Intentionally blank.

## Enclosure

### C10 D6, C15 D6, C20 D6 – Sound Att, QS, 1st Stg (Sandstone, Aluminum)



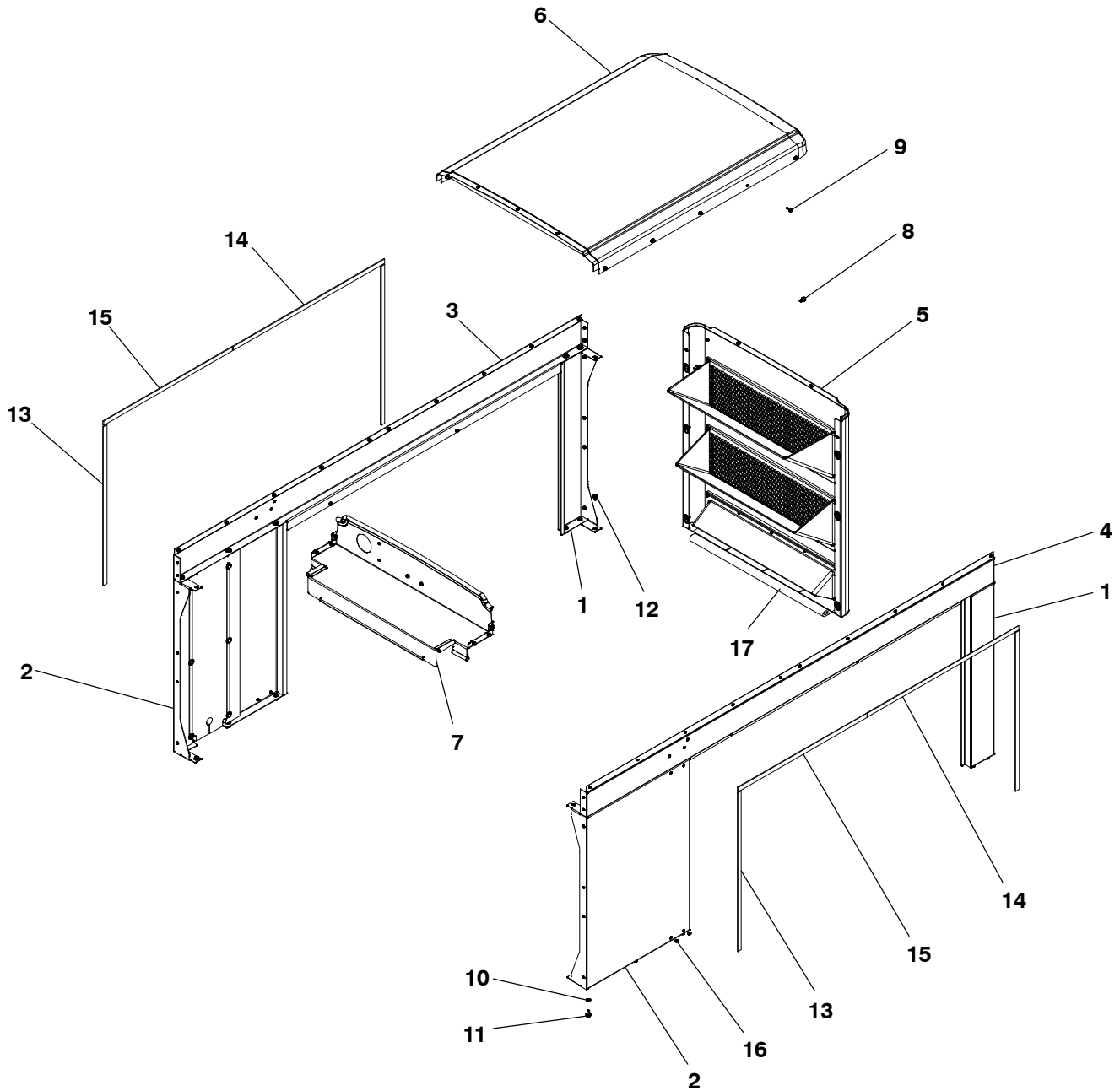
## Enclosure

### C10 D6, C15 D6, C20 D6 – Sound Att, QS, 1st Stg (Sandstone, Aluminum)

Item	Part No.	Description	Qty
1	A046T039	Cover	1
2	A044B307	Roof, Enclosure (See Page 213 for Components)	1
3	A043M520	Panel, Enclosure (Includes Items 4 and 5)	1
4	A043L271	Latch	A/R
5	A043L274	Latch	1
6	A043M522	Panel, Enclosure (Includes Item 4)	1
7	0815-0857-02	Screw, Hex Head	13
8	A044M379	Screw, Hex Flange Head	2
9	0332-1794	Tie, Cable	1
10	A043G324	Key	1
11	A046T081	Screw, Shoulder	6
12	0853-0040-54	Washer, Lock	2
13	A046Z638	Washer, Lock	2

## Enclosure

### C25 D6, C30 D6, C35 D6, C40 D6, C50 D6, C60 D6 – QS, 1st Stg (Sandstone, Aluminum)



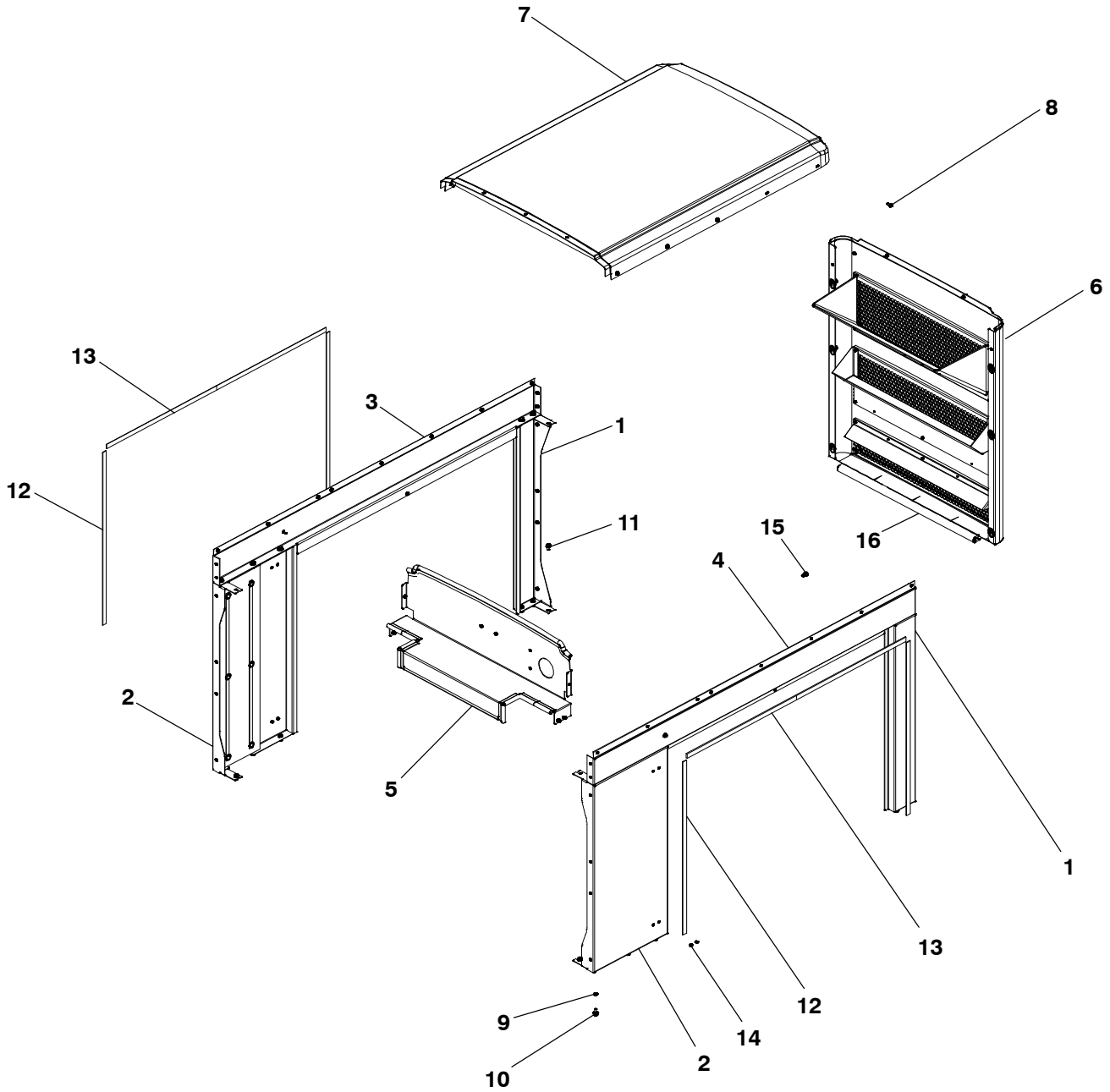


## Enclosure

### C25 D6, C30 D6, C35 D6, C40 D6, C50 D6, C60 D6 – QS, 1st Stg (Sandstone, Aluminum)

Item	Part No.	Description	Qty
1	A043E860	Post, Enclosure	2
2	A043M518	Post, Enclosure	2
3	A044M437	Panel, Enclosure	1
4	A044M435	Panel, Enclosure	1
5	A059W269	Cover, Enclosure (See Page 216 for Components)	1
6	A043M516	Roof, Enclosure	1
7	A048N769	Panel, Bulkhead	1
8	A046T081	Screw, Shoulder	6
9	A050P483	Screw, Hex Flange Head	20
10	0853-2008	Washer, Lock	14
11	0821-6003-01	Screw, Hex Head	20
12	A045Z943	Screw, Hex Flange Head	4
13	0405-6460-02	Gasket	4
14	0405-6460-10	Gasket	2
15	0405-6460-04	Gasket	2
16	0517-0131-03	Plug, Hole	8
17	A060B644	Seal, Weather	1

## Enclosure C10 D6, C15 D6 – QS, 1st Stg (Sandstone, Aluminum)

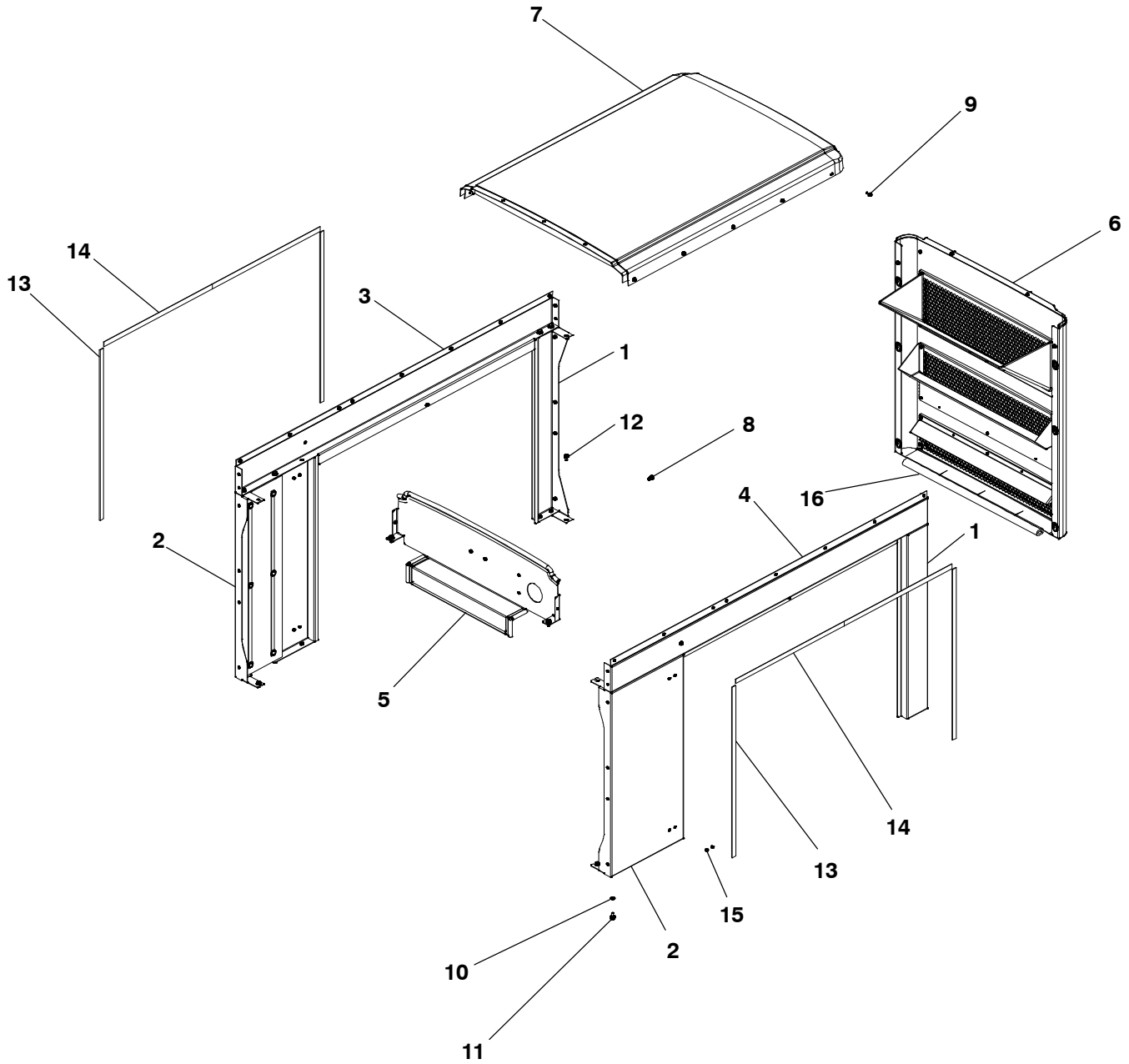


## Enclosure

### C10 D6, C15 D6 – QS, 1st Stg (Sandstone, Aluminum)

Item	Part No.	Description	Qty
1	A043H269	Post, Enclosure	2
2	A043H284	Post, Enclosure	2
3	A043H274	Panel, Enclosure	1
4	A043H278	Panel, Enclosure	1
5	A048N775	Panel, Bulkhead	1
6	A059W271	Cover, Enclosure (See Page 215 for Components)	1
7	A043M516	Roof, Enclosure	1
8	A050P483	Screw, Hex Flange Head	20
9	0853–2008	Washer, Lock	14
10	0821–6003–01	Screw, Hex Head	20
11	A045Z943	Screw, Hex Flange Head	4
12	0405–6460–02	Gasket	4
13	0405–6460–01	Gasket	4
14	0517–0131–03	Plug, Hole	4
15	A046T081	Screw, Shoulder	6
16	A060B644	Seal, Weather	1

**Enclosure**  
**C20 D6 – QS, 1st Stg (Sandstone, Aluminum)**

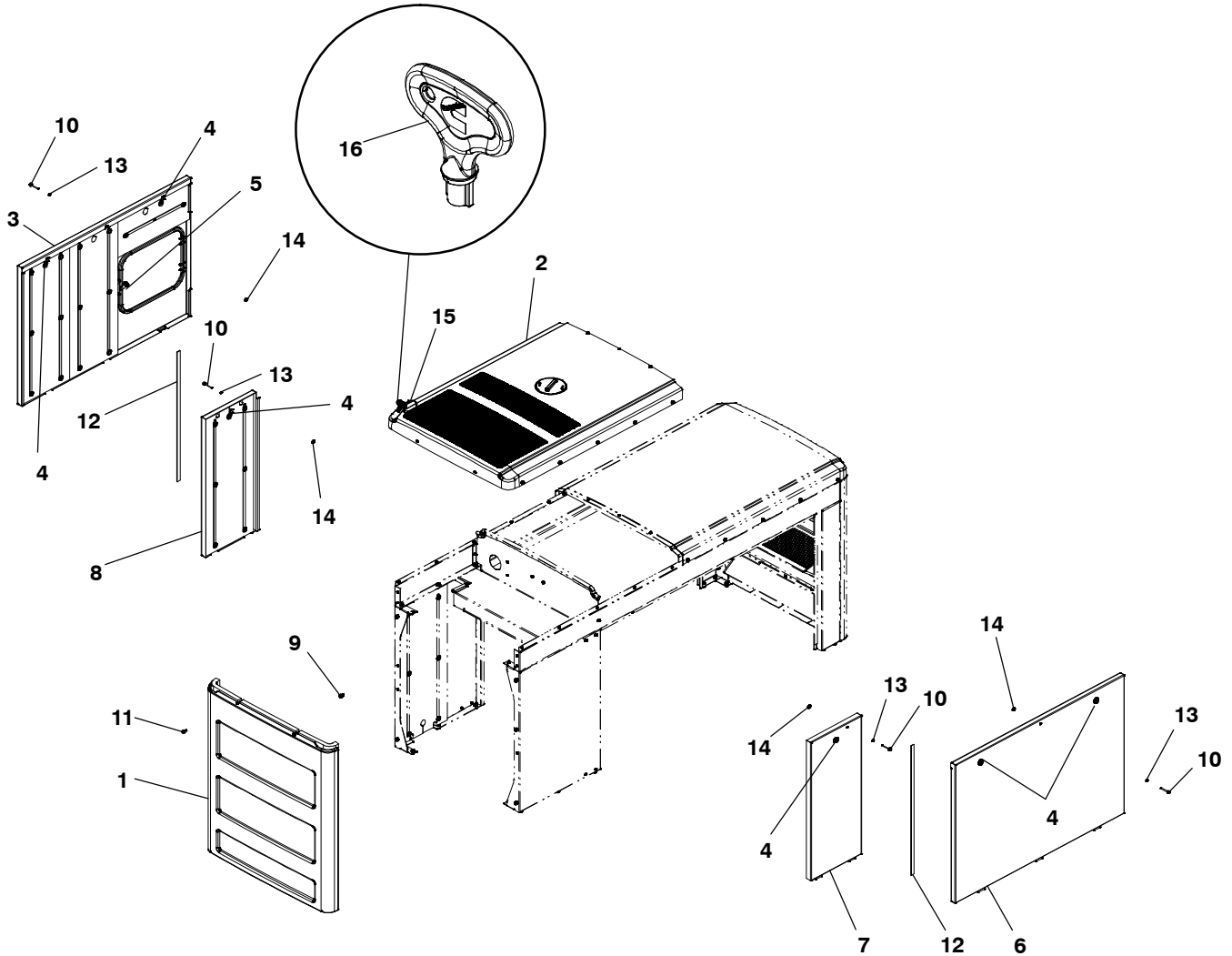


**Enclosure**  
**C20 D6 – QS, 1st Stg (Sandstone, Aluminum)**

Item	Part No.	Description	Qty
1	A043H269	Post, Enclosure	2
2	A043H284	Post, Enclosure	2
3	A043H274	Panel, Enclosure	1
4	A043H278	Panel, Enclosure	1
5	A048N771	Panel, Bulkhead	1
6	A059W271	Cover, Enclosure (See Page 215 for Components)	1
7	A043M516	Roof, Enclosure	1
8	A046T081	Screw, Shoulder	6
9	A050P483	Screw, Hex Head	16
10	0853-2008	Washer, Lock	14
11	0821-6003-01	Screw, Hex Head	20
12	A045Z943	Screw, Hex Flange Head	4
13	0405-6460-02	Gasket	4
14	0405-6460-01	Gasket	4
15	0517-0131-03	Plug, Hole	8
16	A060B644	Seal, Weather	1

## Enclosure

C20 D6, C25, D6, C30 D6, C35 D6, C40 D6, C50 D6, C60 D6 – Sound Att, QS, 1st Stg (Sandstone, Aluminum)

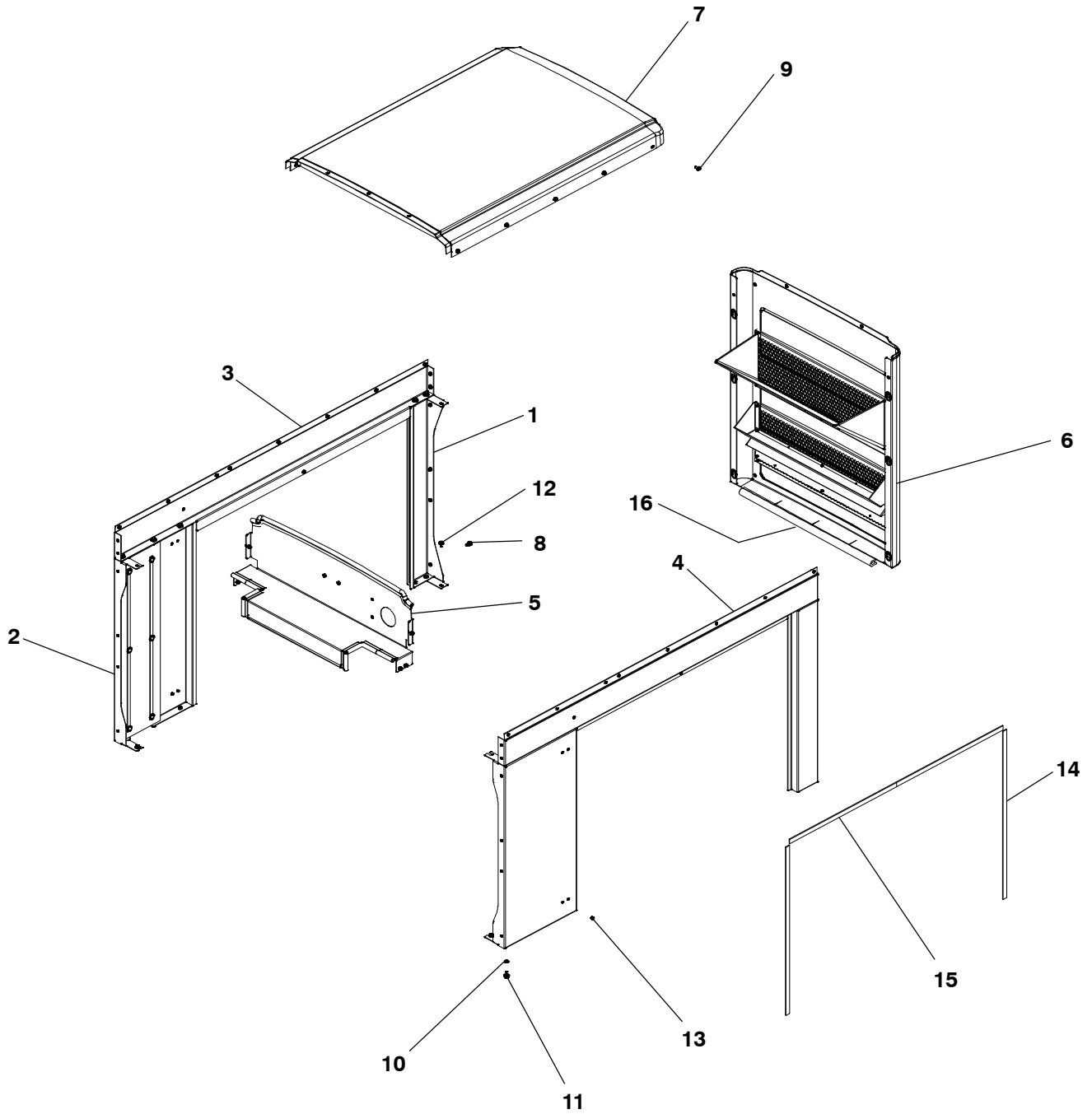


## Enclosure

### C20 D6, C25, D6, C30 D6, C35 D6, C40 D6, C50 D6, C60 D6 – Sound Att, QS, 1st Stg (Sandstone, Aluminum)

Item	Part No.	Description	Qty
1	A046T039	Cover	1
2	A043F730	Roof, Enclosure (See Page 212 for Components)	1
3	A043M520	Panel, Enclosure (Includes Items 4 and 5)	1
4	A043L271	Latch	A/R
5	A043L274	Latch	1
6	A043M522	Panel, Enclosure (Includes Item 4)	1
7	A044B014	Panel, Enclosure (Includes Item 4)	1
8	A044B007	Panel, Enclosure (Includes Item 4)	1
9	A046T081	Screw, Shoulder	6
10	A044M379	Screw, Hex Flange Head	4
11	0815-0857-02	Screw, Hex Head	17
12	0405-6460-02	Gasket	2
13	0853-0040-54	Washer, Lock	4
14	A046Z638	Washer, Lock	4
15	0332-1794	Tie, Cable	1
16	A043G324	Key	1

## Enclosure C10 D6, C15 D6 (Green, Aluminum) QS, 1st Stg

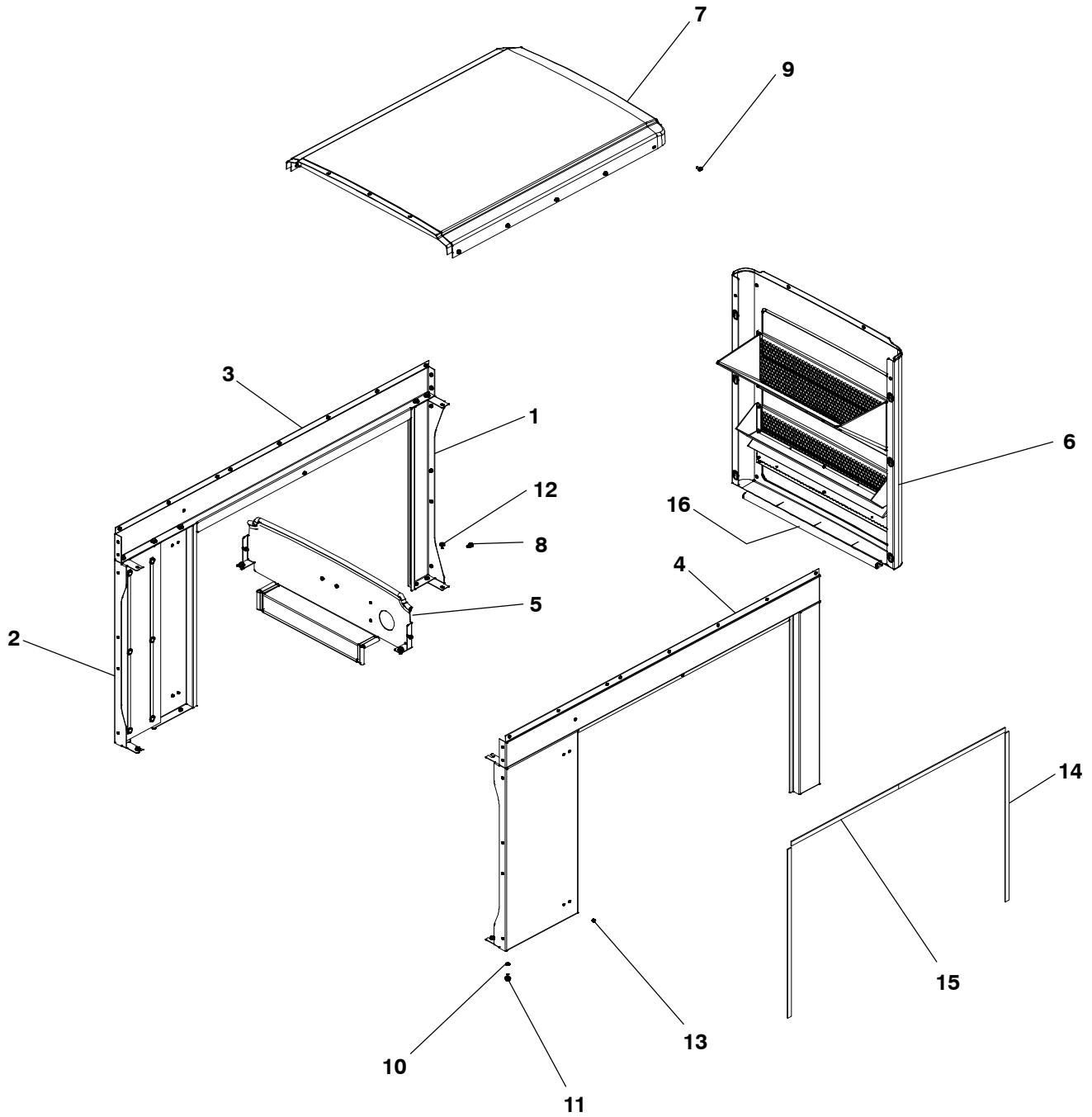




**Enclosure**  
**C10 D6, C15 D6 – QS, 1st Stg (Green, Aluminum)**

Item	Part No.	Description	Qty
1	A045P578	Post, Enclosure	2
2	A045P230	Post, Enclosure	2
3	A045H450	Panel, Enclosure	1
4	A045P597	Panel, Enclosure	1
5	A048N775	Panel, Bulkhead	1
6	A059W277	Cover, Enclosure (See Page 215 for Components)	1
7	A045N469	Roof, Enclosure	1
8	A046T081	Screw, Shoulder	6
9	A050P483	Screw, Hex Flange Head	20
10	0853-2008	Washer, Lock	14
11	0821-6003-01	Screw, Hex Head	20
12	A045Z943	Screw, Hex Flange Head	4
13	0517-0131-03	Plug, Hole	4
14	0405-6460-02	Gasket	4
15	0405-6460-01	Gasket	4
16	A060B644	Seal, Weather	1

## Enclosure C20 D6 (Green, Aluminum) QS, 1st Stg

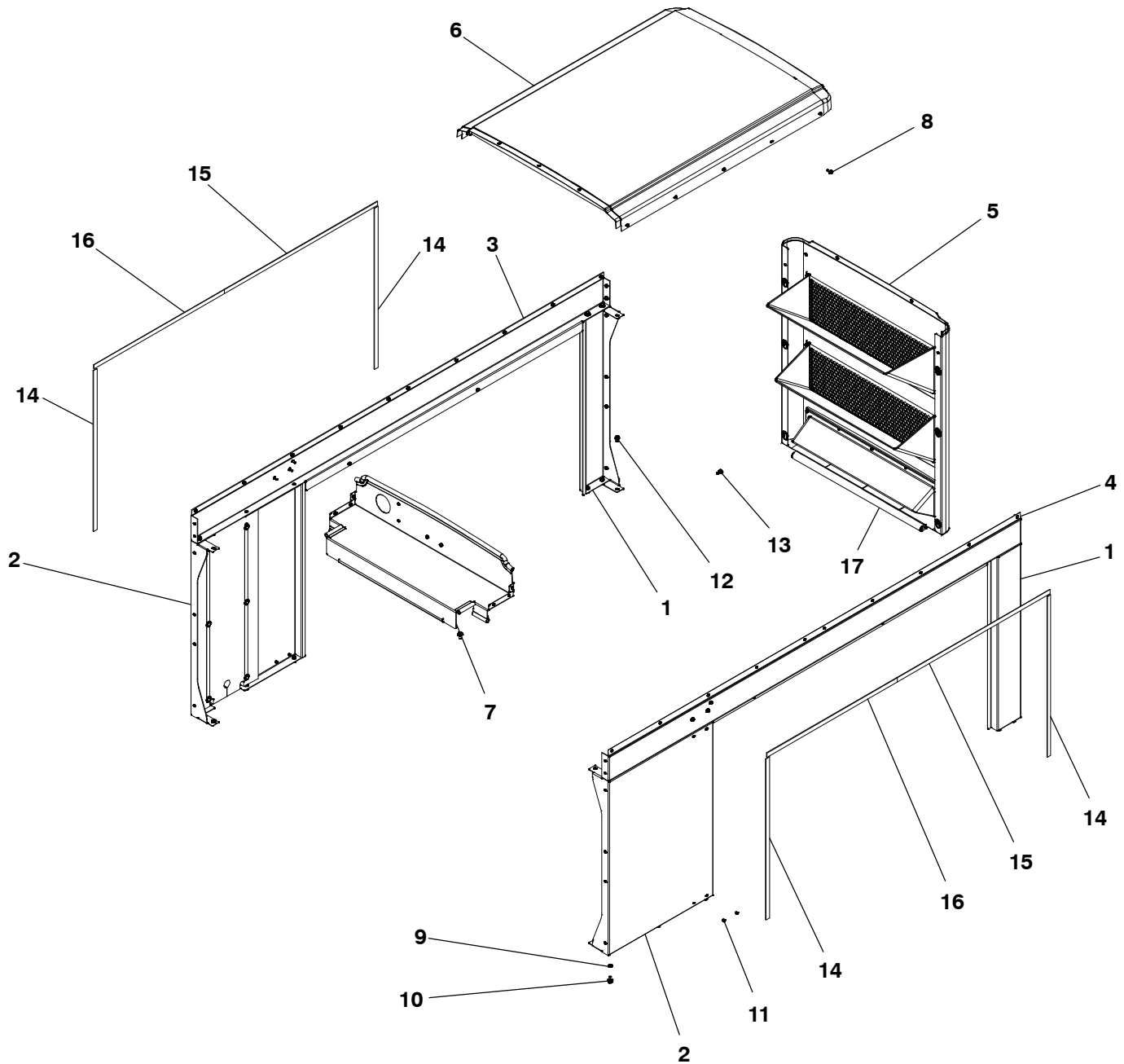


**Enclosure**  
**C20 D6 – QS, 1st Stg (Green, Aluminum)**

Item	Part No.	Description	Qty
1	A045P578	Post, Enclosure	2
2	A045P230	Post, Enclosure	2
3	A045H450	Panel, Enclosure	1
4	A045P597	Panel, Enclosure	1
5	A048N771	Panel, Bulkhead	1
6	A059W277	Cover, Enclosure (See Page 215 for Components)	1
7	A045N469	Roof, Enclosure	1
8	A046T081	Screw, Shoulder	6
9	A050P483	Screw, Hex Head	16
10	0853–2008	Washer, Lock	14
11	0821–6003–01	Screw, Hex Head	20
12	A045Z943	Screw, Hex Flange Head	4
13	0517–0131–03	Plug, Hole	8
14	0405–6460–02	Gasket	4
15	0405–6460–01	Gasket	4
16	A060B644	Seal, Weather	1

## Enclosure

### C25 D6, C30 D6, C35 D6, C40 D6, C50 D6, C60 D6 – QS, 1st Stg (Green, Aluminum)

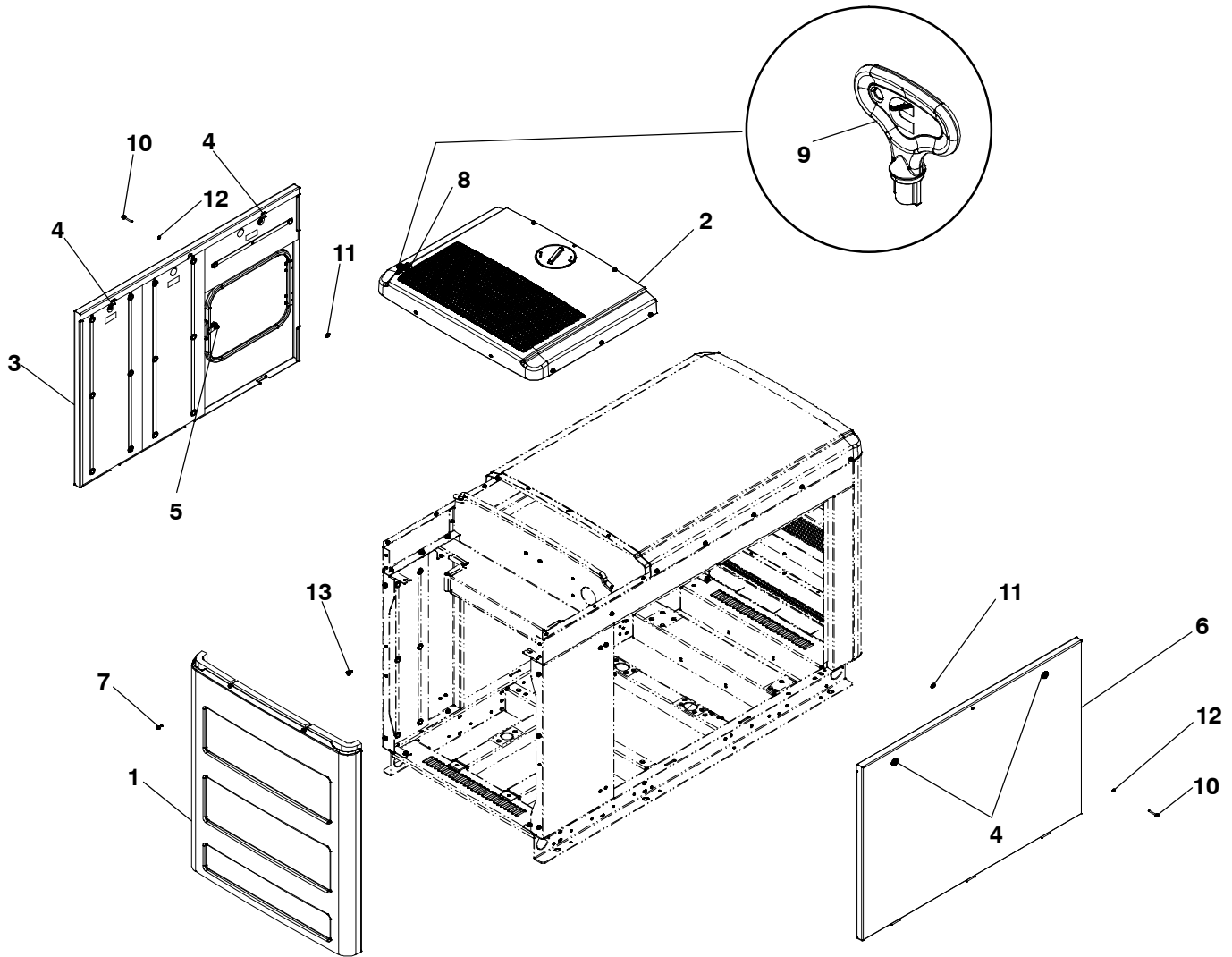


## Enclosure

### C25 D6, C30 D6, C35 D6, C40 D6, C50 D6, C60 D6 – QS, 1st Stg (Green, Aluminum)

Item	Part No.	Description	Qty
1	A045M772	Post, Enclosure	2
2	A045N453	Post, Enclosure	2
3	A047B165	Panel, Enclosure	1
4	A047B163	Panel, Enclosure	1
5	A059W275	Cover, Enclosure (See Page 216 for Components)	1
6	A045N469	Roof, Enclosure	1
7	A048N769	Panel, Bulkhead	1
8	A050P483	Screw, Hex Flange Head	20
9	0853–2008	Washer, Lock	14
10	0821–6003–01	Screw, Hex Head	20
11	0517–0131–03	Plug, Hole	8
12	A045Z943	Screw, Hex Flange Head	4
13	A046T081	Screw, Shoulder	6
14	0405–6460–02	Gasket	4
15	0405–6460–10	Gasket	2
16	0405–6460–04	Gasket	2
17	A060B644	Seal, Weather	1

**Enclosure**  
**C10 D6, C15 D6, C20 D6 (Green, Aluminum)**

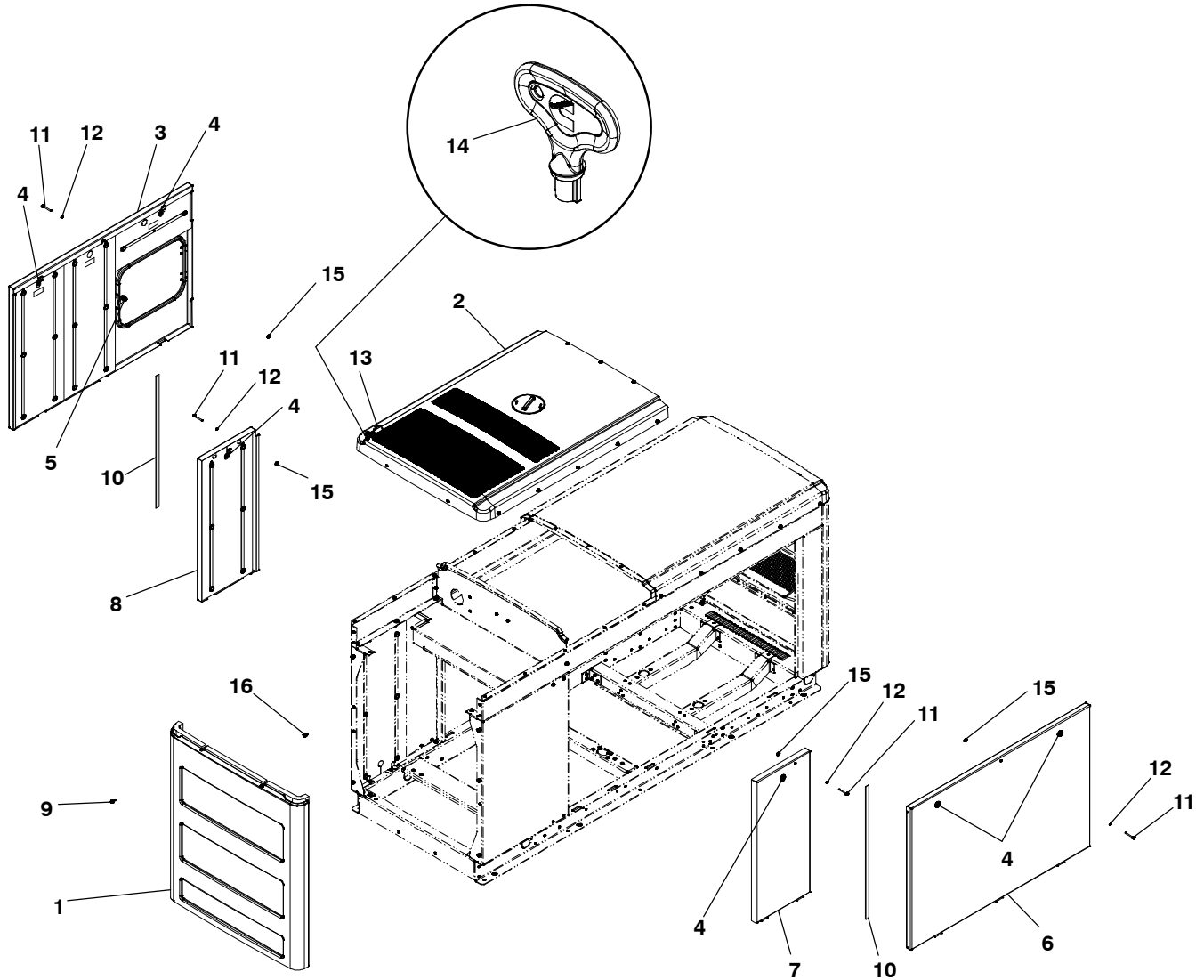


Item	Part No.	Description	Qty
1	A046T066	Cover	1
2	A045P601	Roof, Enclosure (See Page 213 for Components)	1
3	A045N473	Panel, Enclosure (Includes Items 4 and 5)	1
4	A043L271	Latch	A/R
5	A043L274	Latch	1
6	A045N475	Panel, Enclosure (Includes Item 4)	1
7	0815-0857-02	Screw, Hex Head	13
8	0332-1794	Tie, Cable	1
9	A043G324	Key	1
10	0821-6002-08	Screw, Hex Head	2
11	A046Z638	Washer, Lock	2
12	0853-0040-54	Washer, Lock	2
13	A046T081	Screw, Shoulder	6

This page is Intentionally blank.

## Enclosure

C25 D6, C30 D6, C35 D6, C40 D6, C50 D6, C60 D6 (Green, Aluminum)



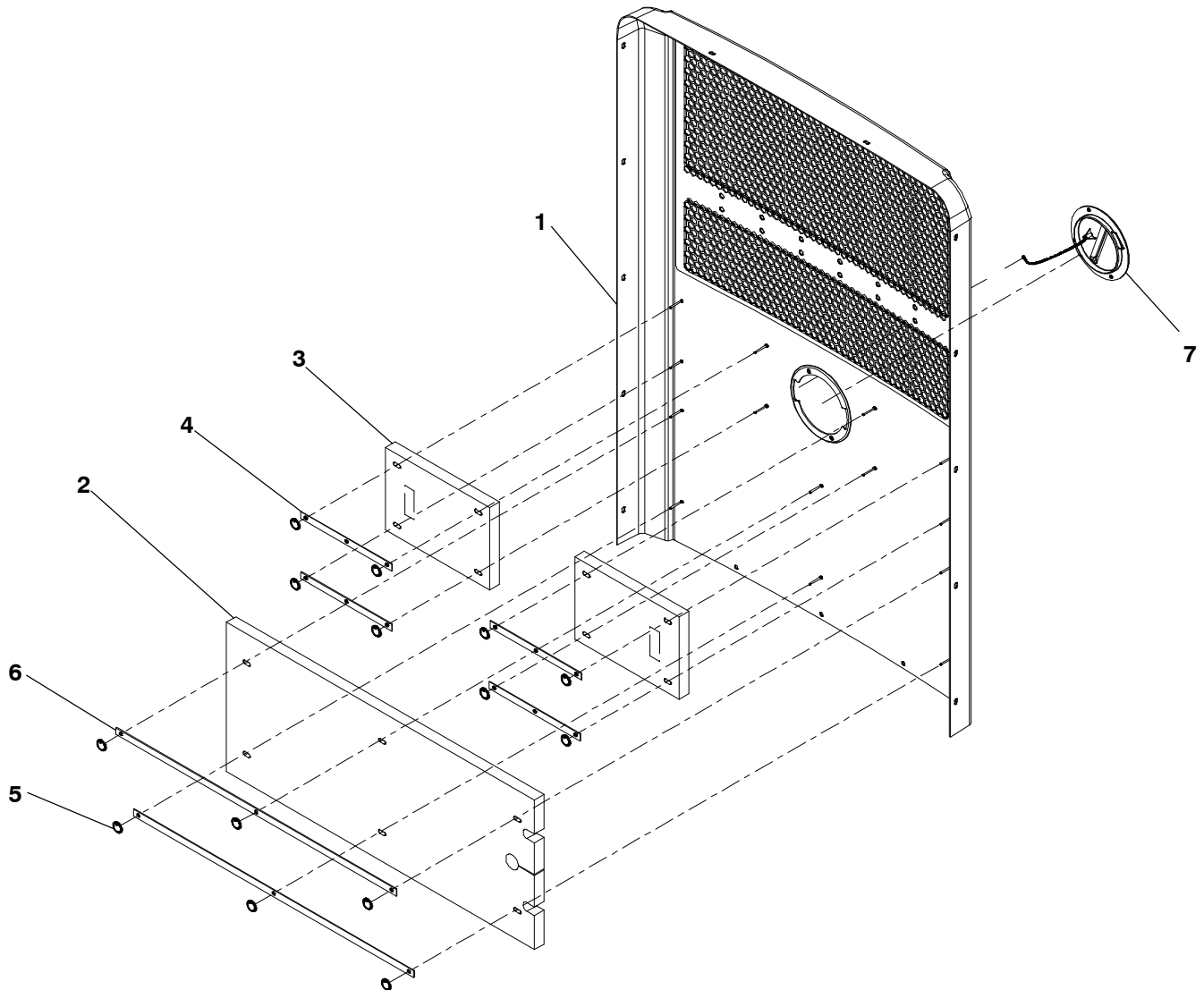


## Enclosure

### C25 D6, C30 D6, C35 D6, C40 D6, C50 D6, C60 D6 (Green, Aluminum)

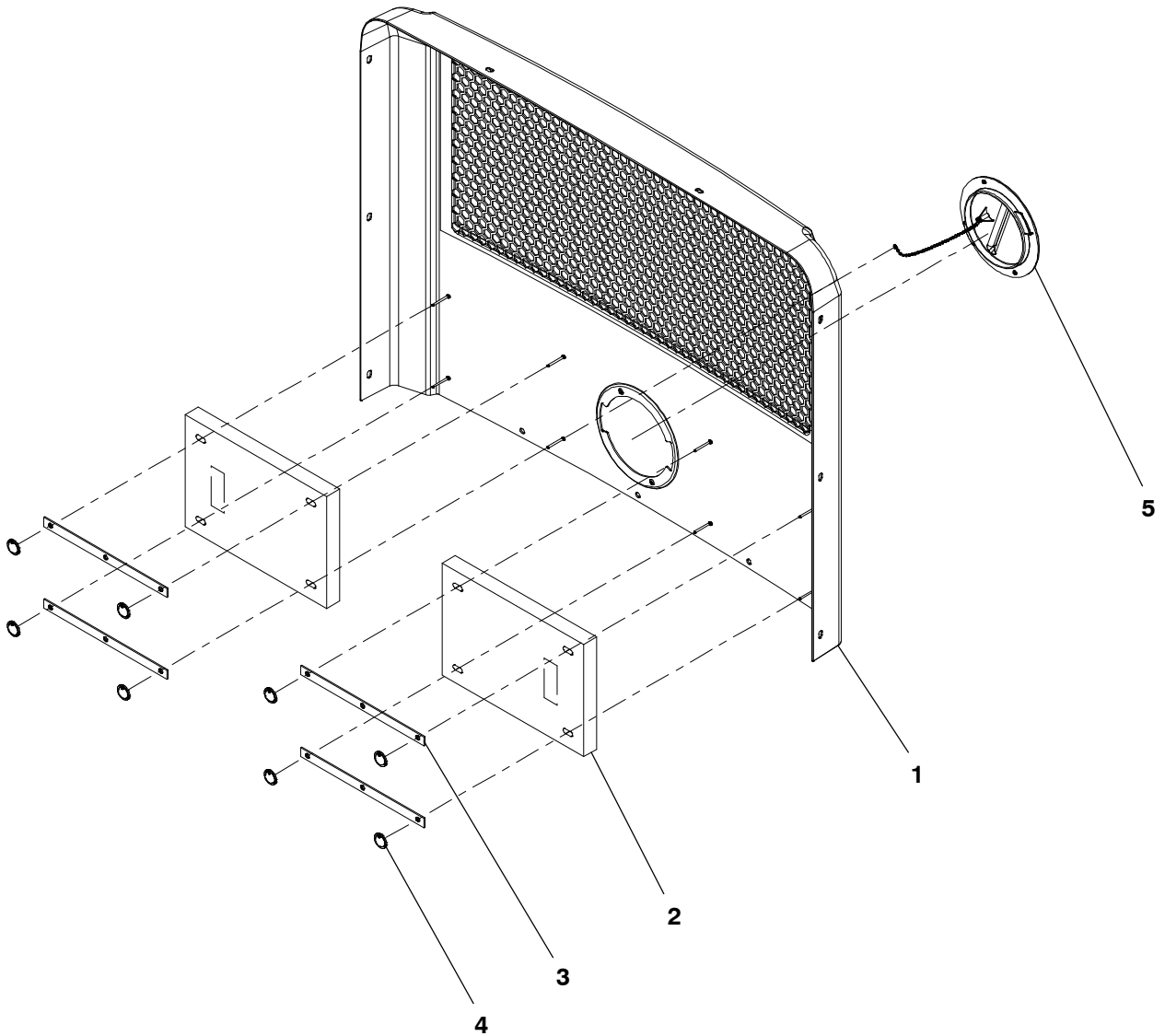
Item	Part No.	Description	Qty
1	A046T066	Cover	1
2	A045N471	Roof, Enclosure (See Page 212 for Components)	1
3	A045N473	Panel, Enclosure (Includes Items 4 and 5)	1
4	A043L271	Latch	A/R
5	A043L274	Latch	1
6	A045N475	Panel, Enclosure (Includes Item 4)	1
7	A045N477	Panel, Enclosure (Includes Item 4)	1
8	A045N479	Panel, Enclosure (Includes Item 4)	1
9	0815-0857-02	Screw, Hex Head	17
10	0405-6460-02	Gasket	2
11	A044M379	Screw, Hex Flange Head	4
12	0853-0040-54	Washer, Lock	4
13	0332-1794	Tie, Cable	1
14	A043G324	Key	1
15	A046Z638	Washer, Lock	4
16	A046T081	Screw, Shoulder	6

## Roof Components



Item	Part No.	Description	Qty
1		Roof, Enclosure	
	A043G308	C20 D6, C25, D6, C30 D6, C35 D6, C40 D6, C50 D6, C60 D6 – Sound Att, QS, 1st Stg (Sandstone, Aluminum)	1
		C25 D6, C30 D6, C35 D6, C40 D6, C50 D6, C60 D6 (Green, Aluminum)	1
2	A043M506	Insulation, Panel	1
3	A047B514	Insulation, Roof	2
4	A044F378	Retainer, Insulation	4
5	A044L228	Washer, Lock	14
6	A043X494	Retainer, Insulation	2
7		Cap, Fill	
	A043J739	C20 D6, C25, D6, C30 D6, C35 D6, C40 D6, C50 D6, C60 D6 – Sound Att, QS, 1st Stg (Sandstone, Aluminum)	1
	A045M805	C25 D6, C30 D6, C35 D6, C40 D6, C50 D6, C60 D6 (Green, Aluminum)	1

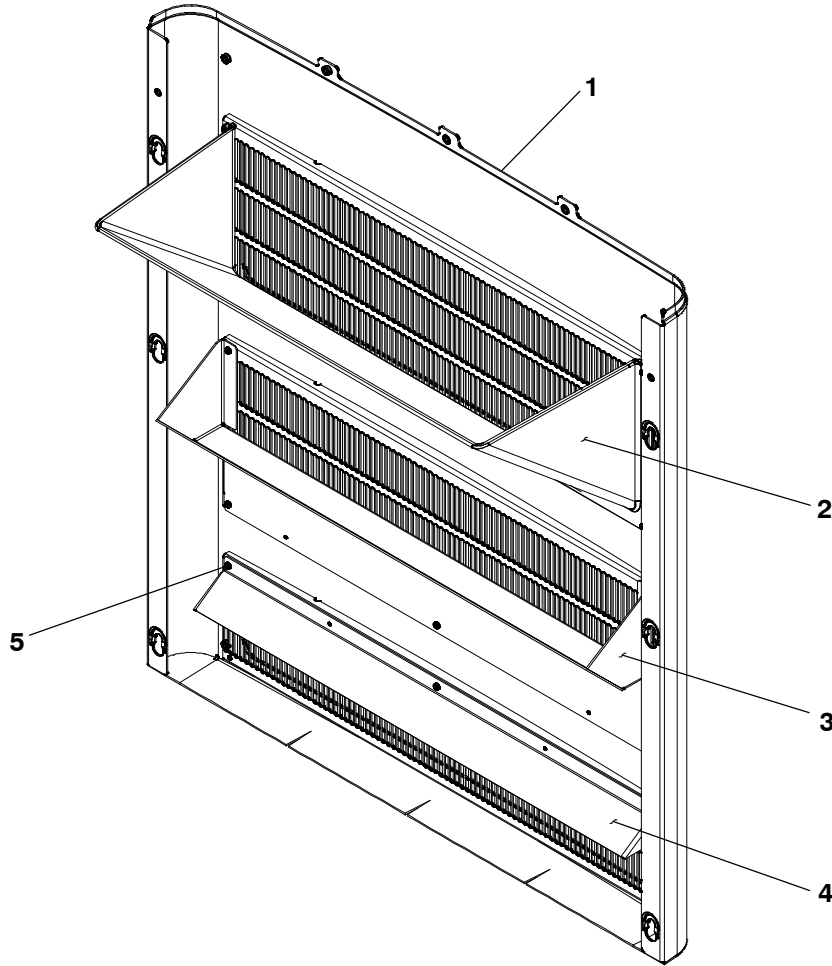
## Roof Components



Item	Part No.	Description	Qty
1		Roof, Enclosure	
	A044B288	C10, D6, C15 D6, C20 D6 – Sound Att, QS, 2nd Stg (Sandstone, Aluminum)	1
	A045P603	C10 D6, C15 D6, C20 D6 (Green, Aluminum)	1
2	A047B514	Insulation, Roof	2
3	A044F378	Retainer, Insulation	4
4	A044L228	Washer, Lock	8
5	A043J739	Cap, Fill	1

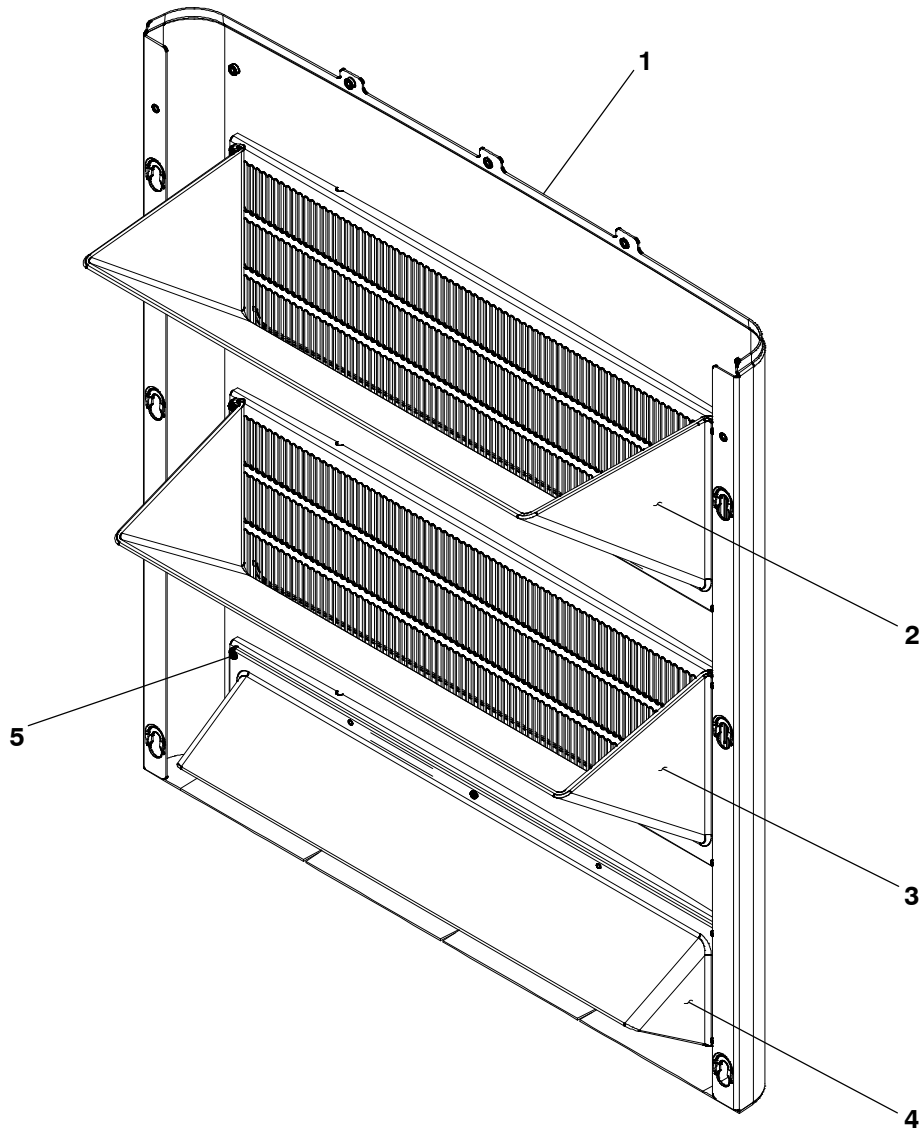
This page is Intentionally blank.

## Enclosure Cover Components



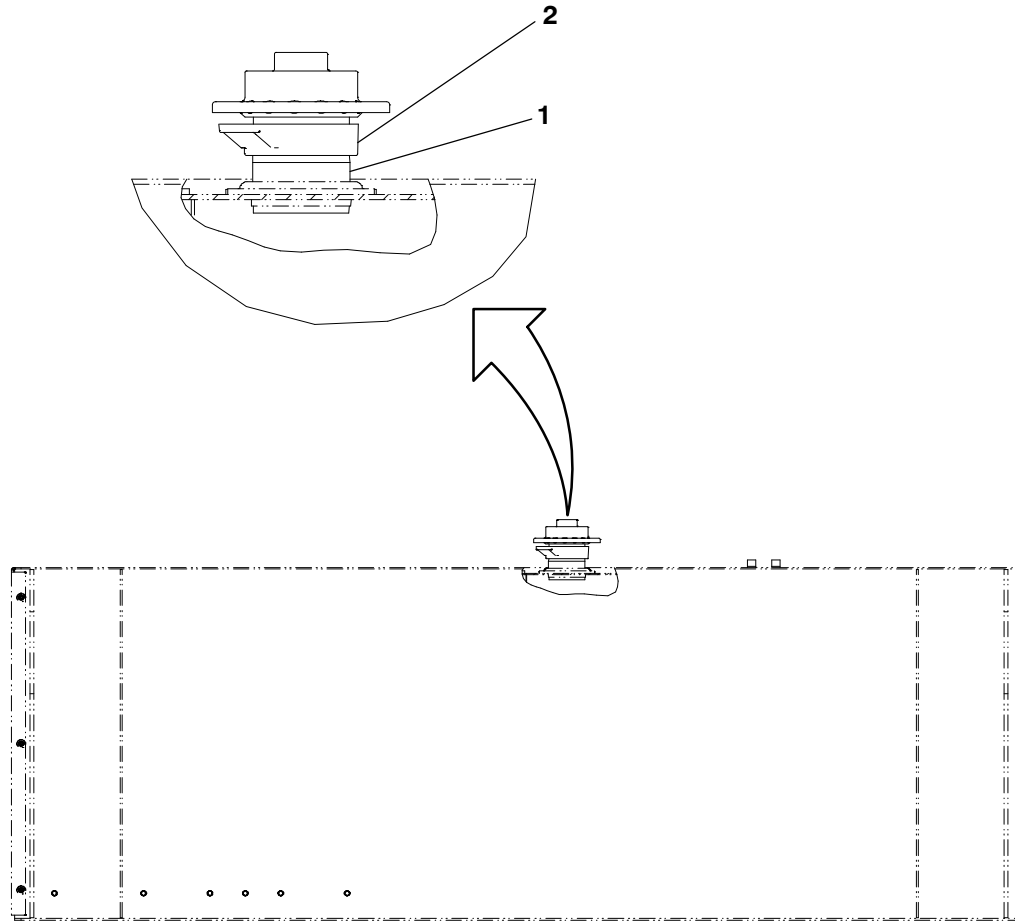
Item	Part No.	Description	Qty
1		Cover, Enclosure	
	A059W267	C10 D6, C15 D6, C20 D6 (Sandstone, Aluminum)	1
	A059W273	C10 D6, C15 D6, C20 D6 (Green, Aluminum)	1
2	A043G320	Louver, Enclosure	1
3	A044B294	Louver, Enclosure	1
4	A044W723	Louver, Enclosure	1
5	0815-0792-05	Screw, Pan Head	13

## Enclosure Cover Components



Item	Part No.	Description	Qty
1		Cover, Enclosure	
	A059W267	C25 D6, C30 D6, C35 D6, C40 D6, C50 D6, C60 D6 (Sandstone, Aluminum)	1
	A059W273	C25 D6, C30 D6, C35 D6, C40 D6, C50 D6, C60 D6 (Green, Aluminum)	1
2	A043G320	Louver, Enclosure	1
3	A043G318	Louver, Enclosure	1
4	A043G322	Louver, Enclosure	1
5	0815-0792-05	Screw, Pan Head	15

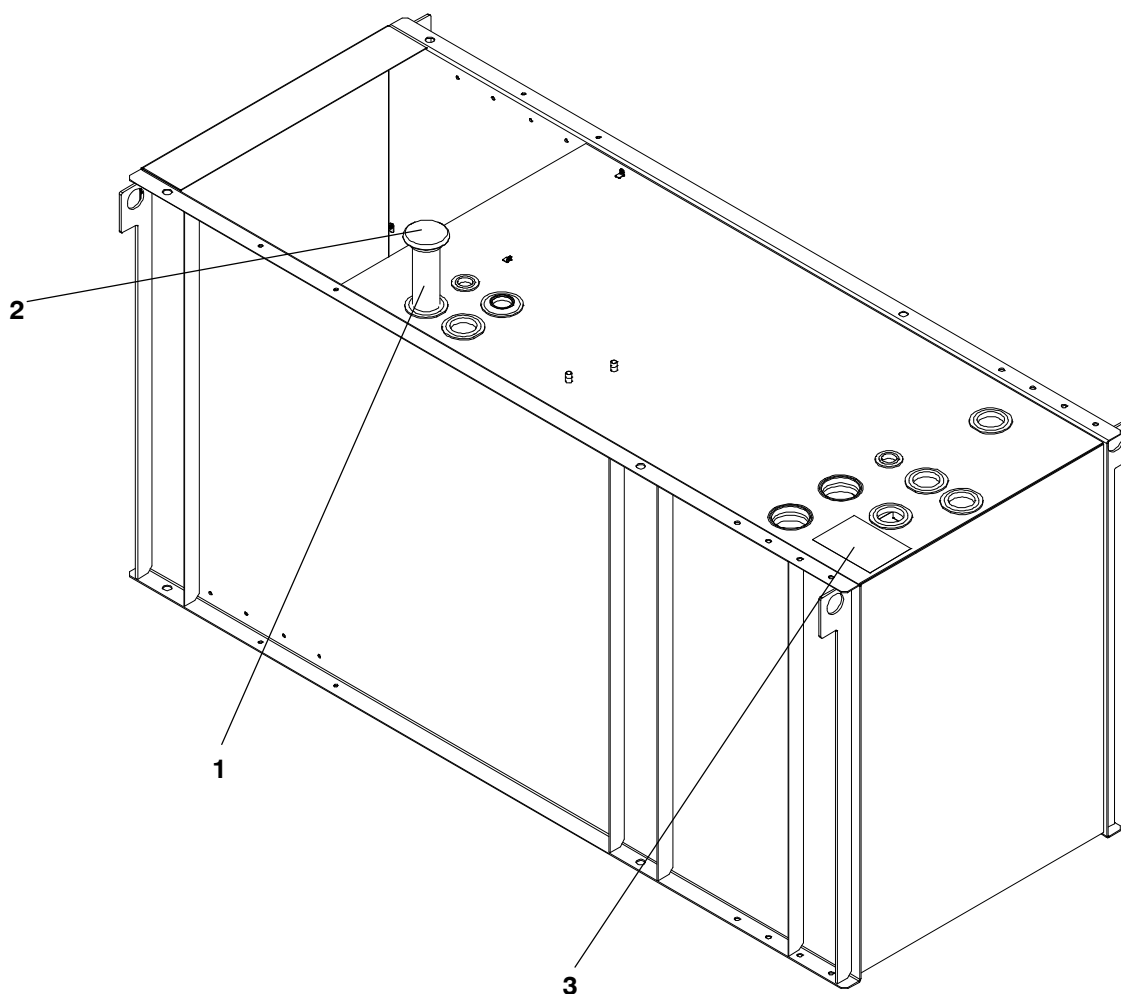
## Filler Neck



Generic Tank Shown

Item	Part No.	Description	Qty
1	0505-0172	Nipple, Close (Not Used on All Tanks)	1
2	A045Z195	Cap, Fuel Tank	1

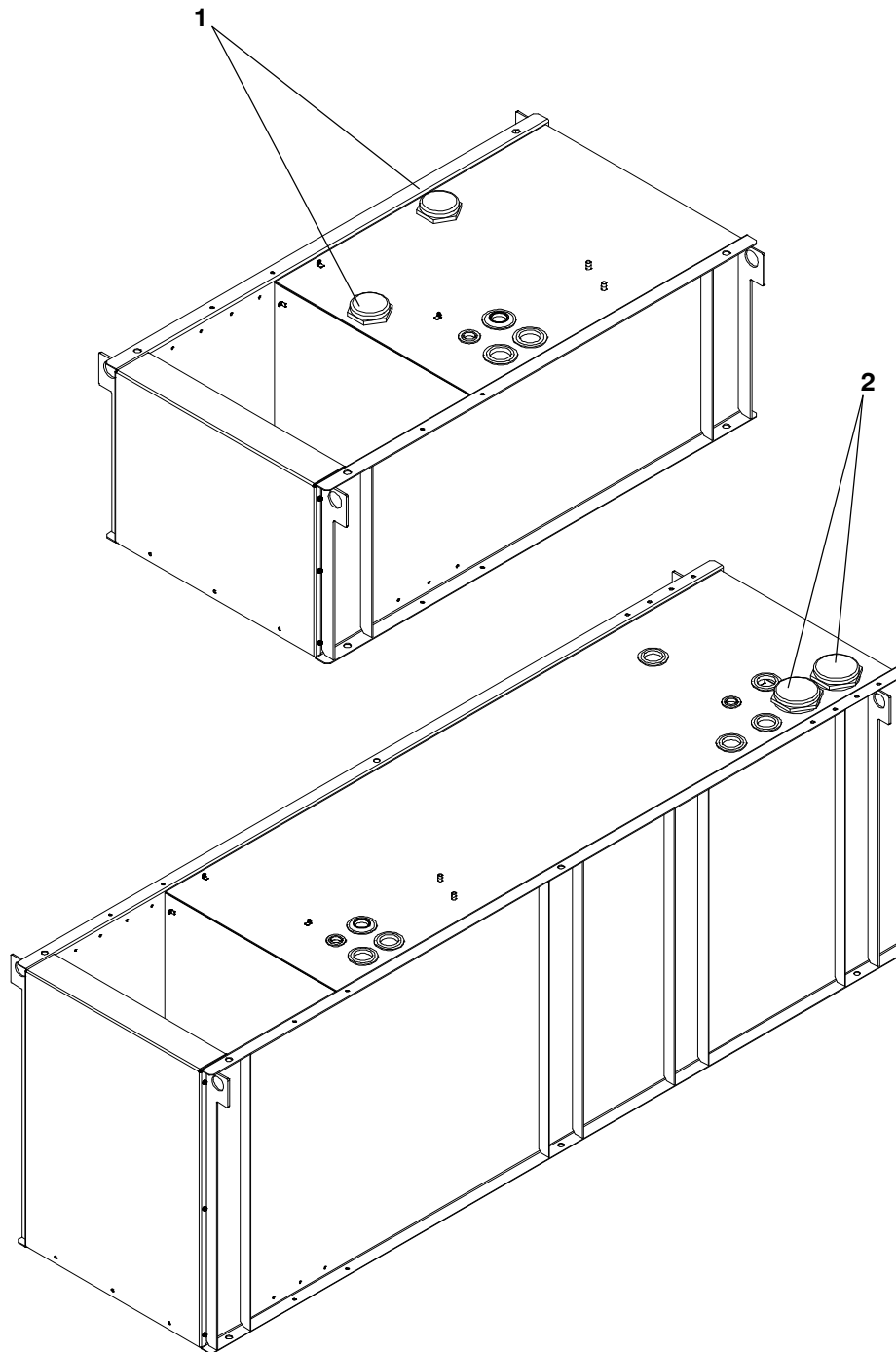
## Normal Vent



Item	Part No.	Description	Qty
1	A046V788	Fitting, Nipple	1
2	0159-1371-03	Cap, Vent	1
3	A048C391	Label (Not on All Models)	1

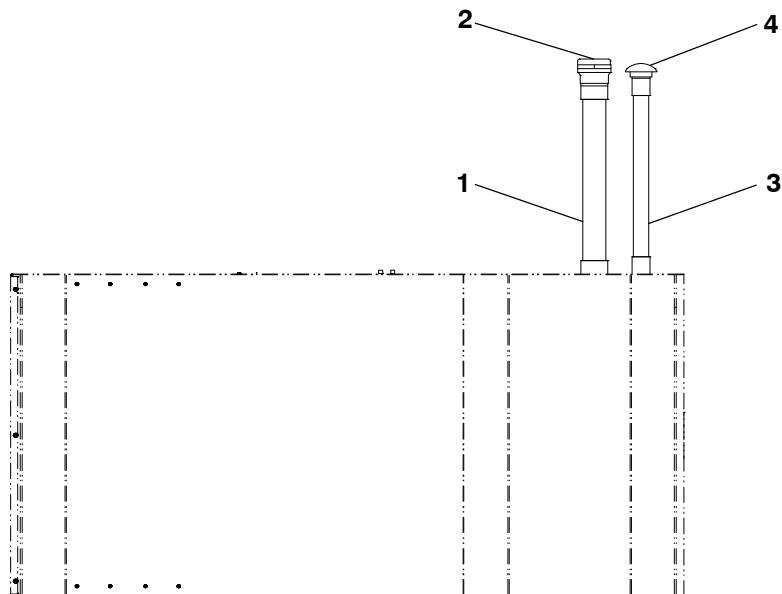


## Emergency Vent



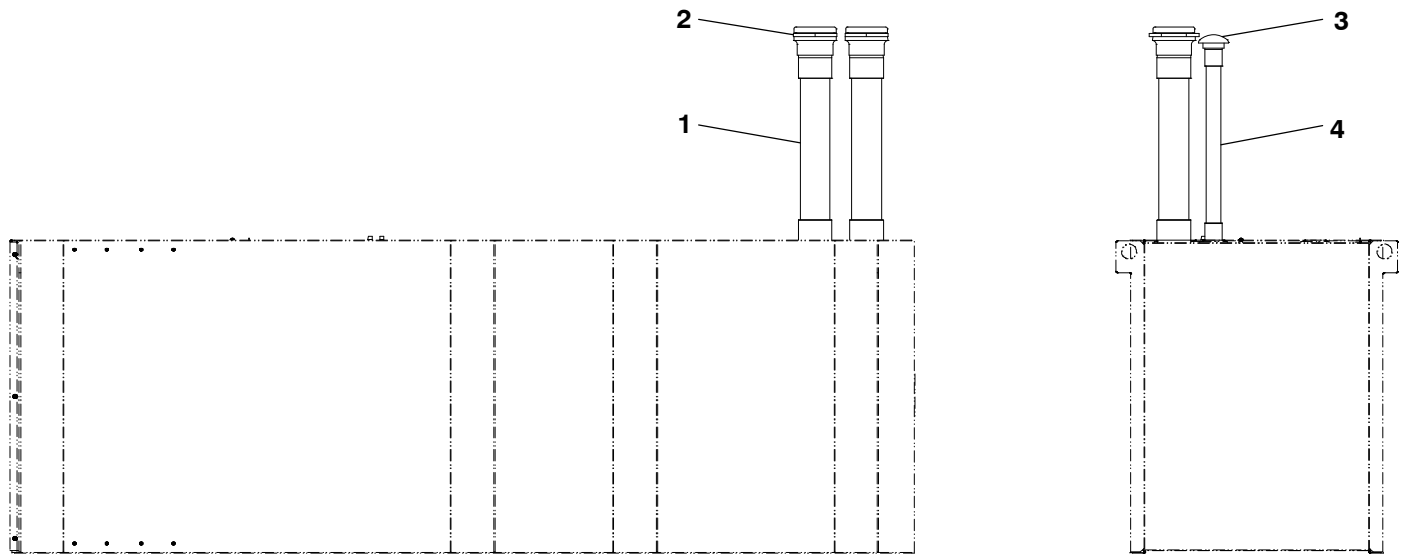
Item	Part No.	Description	Qty
1	A045T352	Vent, Fuel Tank – C10 D6, C15 D6, C20 D6, C25 D6	2
2	A046V520	Vent, Fuel Tank – C30 D6, C35 D6, C40 D6, C50 D6, C60 D6	2

**Vent – IBC – C10 D6, C15 D6, C20 D6**



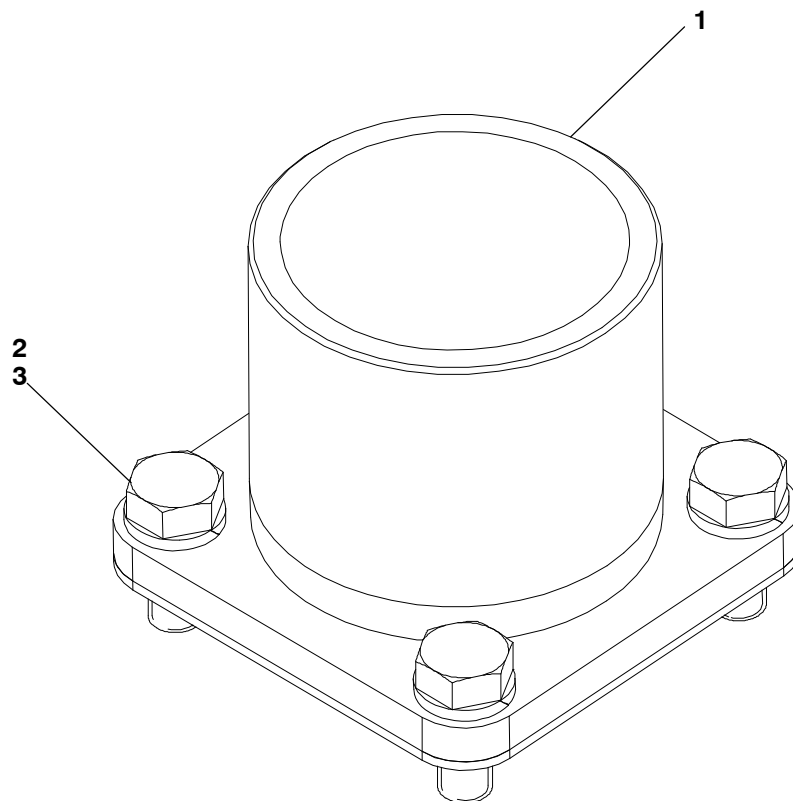
Item	Part No.	Description	Qty
1	A046K281	Tube, Vent	2
2	A047K507	Vent, Fuel Tank	2
3	A046K278	Tube, Vent	1
4	0159-1371-03	Cap, Vent	1

**Vent – IBC – C25 D6, C30 D6, C35 D6, C40 D6, C50 D6, C60 D6**



Item	Part No.	Description	Qty
1	A046U900	Tube, Vent	2
2	A047K509	Vent, Fuel Tank	2
3	A046K278	Tube, Vent	1
4	0159-1371-03	Cap, Vent	1

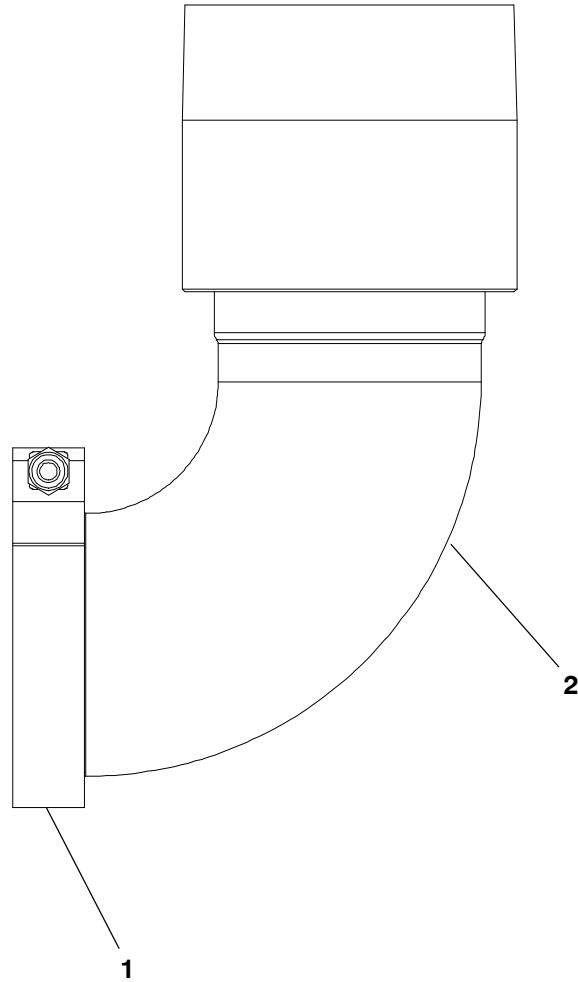
## Exhaust Adapter C10 D6, C15 D6, C20 D6



Item	Part No.	Description	Qty
1	0154-2918	Adapter, Exhaust Manifold	1
2	0800-2057	Screw, Cap – Hex Head (M8 x 1.25 x 20)	4
3	0850-2008	Washer, Lock – Splitt (M8)	4

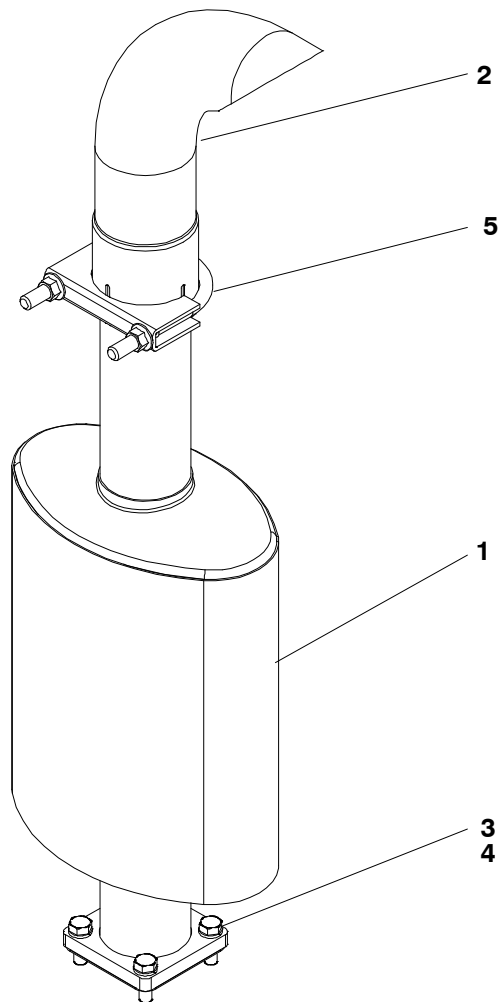
### Exhaust Connection

C25 D6, C30 D6, C35 D6, C40 D6, C50 D6, C60 D6



Item	Part No.	Description	Qty
1	0155-2565	Clamp, V Band	1
2	0155_3116	Adapter, Exhaust	4

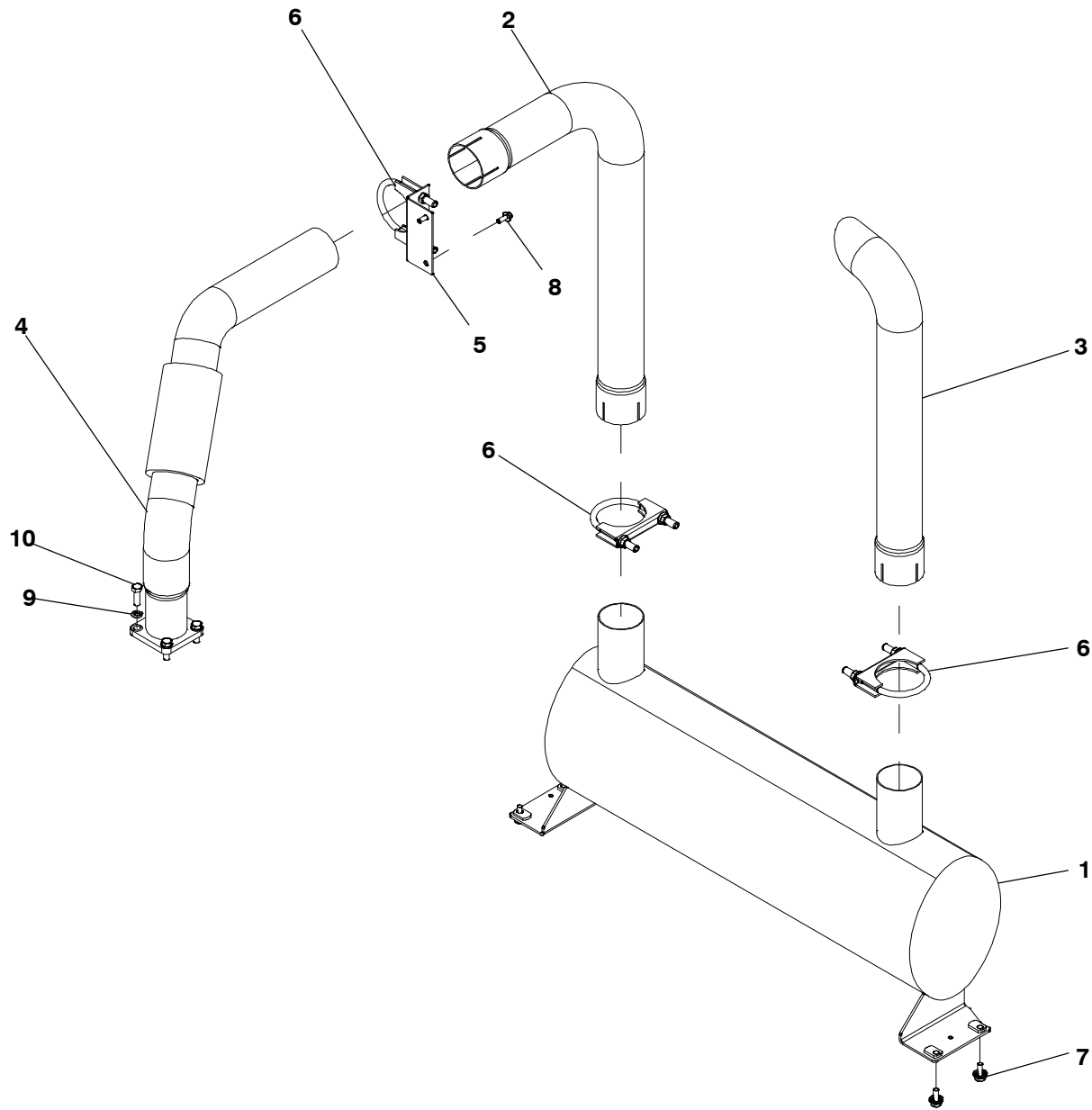
**Muffler – Unhoused Sets**  
**C10 D6, C15 D6, C20 D6**



Item	Part No.	Description	Qty
1	0155-4768-02	Muffler	1
2	0155-4958	Pipe, Exhaust	1
3	0850-2008	Washer, Lock – Split (M8)	4
4	0800-2058	Screw, Cap – Hex Head (M8 x 1.25 x 25)	4
5	0155-2080	Clamp, Muffler	1

This page is Intentionally blank.

### Silencer C10 D6, C15 D6

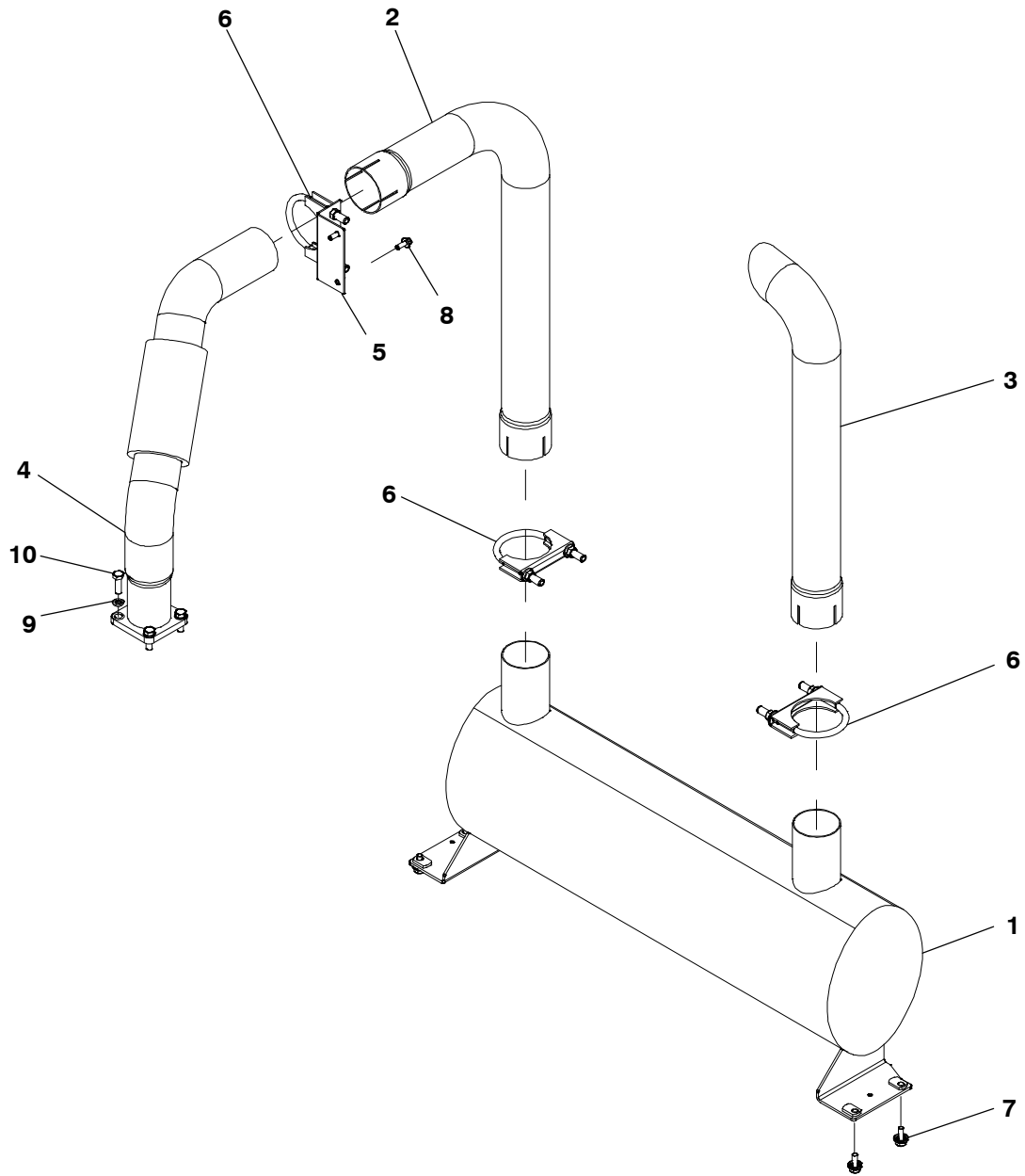




**Silencer**  
**C10 D6, C15 D6**

<b>Item</b>	<b>Part No.</b>	<b>Description</b>	<b>Qty</b>
1	A044J810	Silencer	1
2	A043T878	Pipe, Exhaust	1
3	A043T875	Pipe, Exhaust	1
4	A045C019	Pipe, Exhaust	1
5	A042X766	Bracket, Exhaust	1
6	0155-2080	Clamp	3
7	0821-6003-01	Screw, Hex Head	4
8	0815-0857-02	Screw, Hex Head	2
9	0850-2008	Washer, Lock	4
10	0800-2058	Screw, Hex Head	4

# Silencer C20 D6

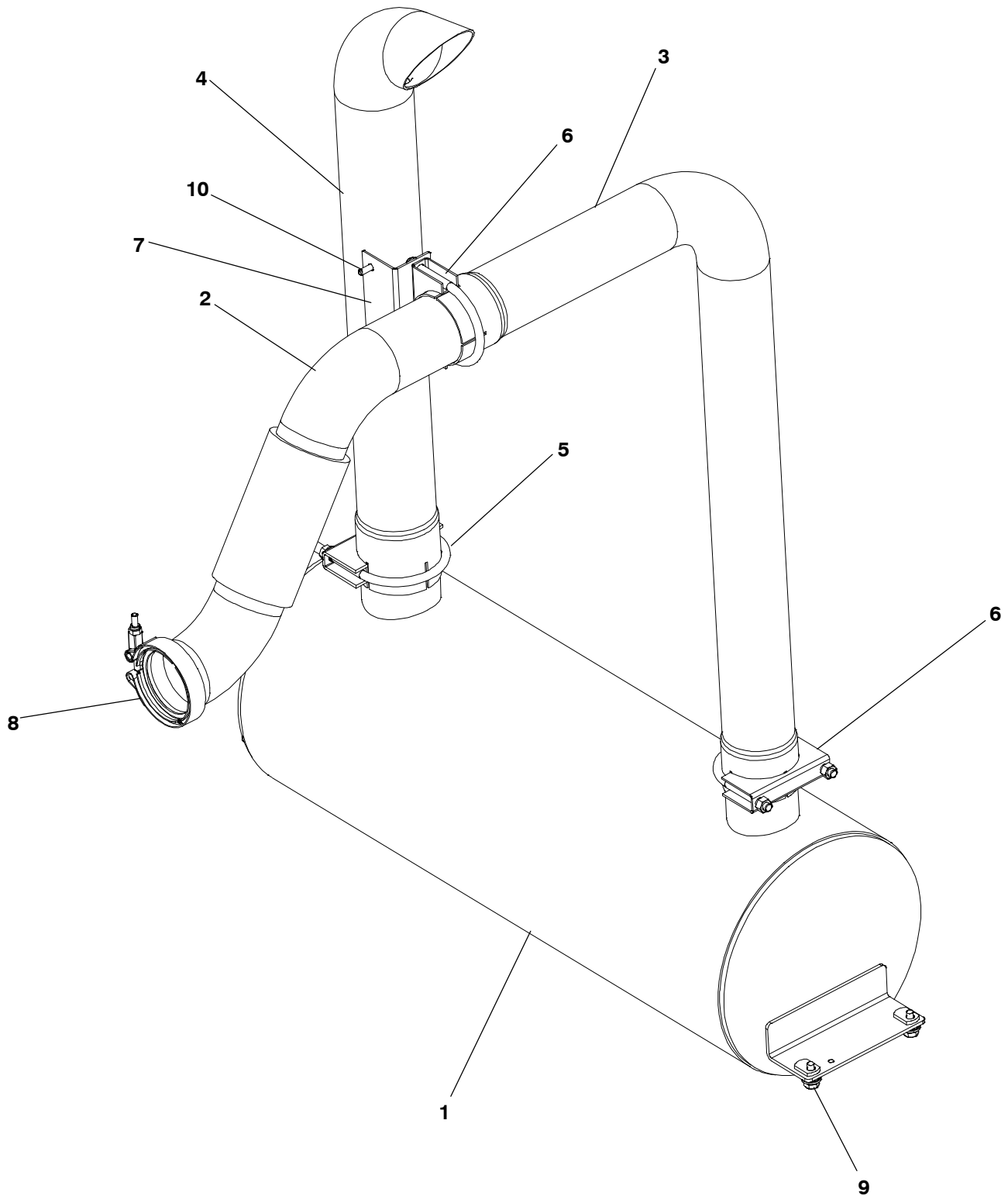


## Silencer C20 D6

Item	Part No.	Description	Qty
1	A044J810	Silencer	1
2	A043T878	Pipe, Exhaust	1
3	A043T875	Pipe, Exhaust	1
4	A044J812	Pipe, Exhaust	1
5	A042X766	Bracket, Exhaust	1
6	0155-2080	Clamp	3
7	0821-6003-01	Screw, Hex Head	4
8	0815-0857-02	Screw, Hex Head	2
9	0850-2008	Washer, Lock	4
10	0800-2058	Screw, Hex Head	4

## Silencer

C25 D6, C30 D6, C35 D6, C40 D6, C50 D6, C60 D6



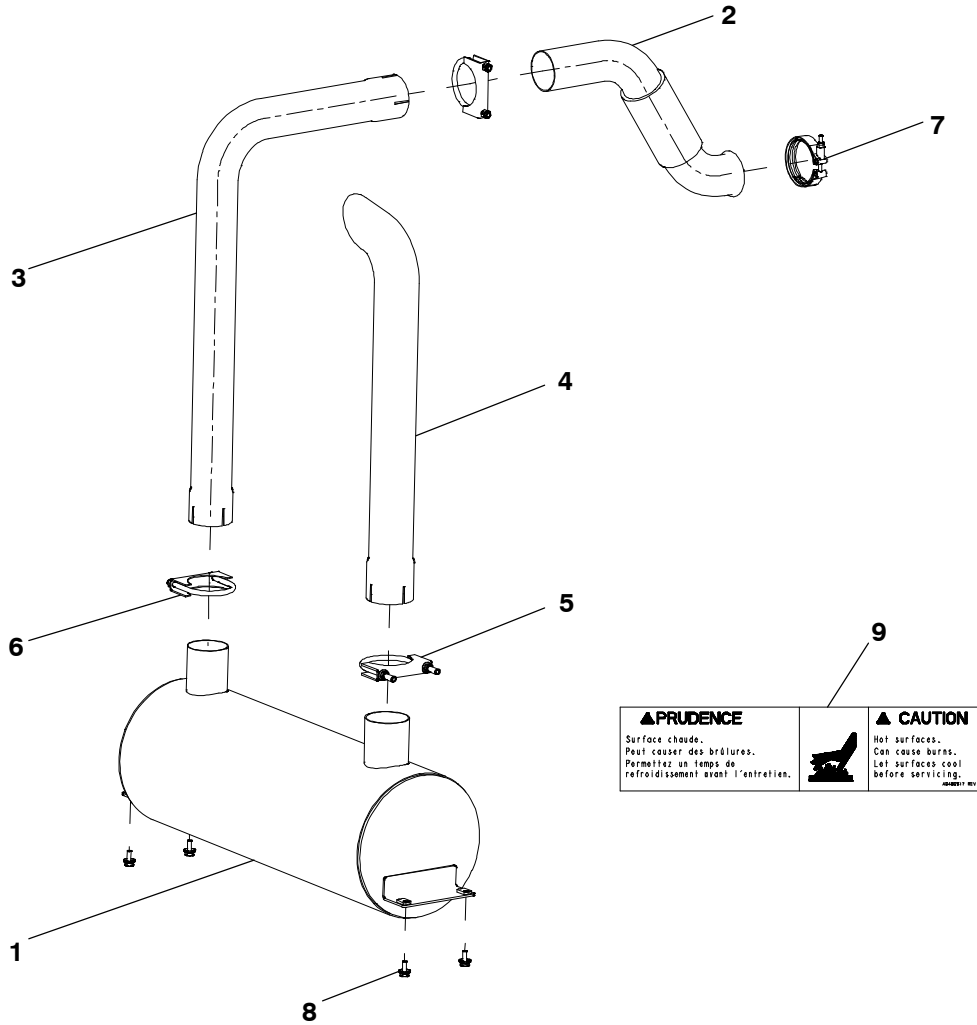
## Silencer

### C25 D6, C30 D6, C35 D6, C40 D6, C50 D6, C60 D6

Item	Part No.	Description	Qty
1	A043V771	Silencer	1
2	A043Z832	Pipe, Exhaust	1
3	A043Z834	Pipe, Exhaust	1
4	A044H214	Pipe, Exhaust	1
5	0155-2175	Clamp	1
6	A047E064	Clamp, Exhaust	2
7	A044H212	Bracket, Exhaust	1
8	0155-2565	Clamp, Vee Band	1
9	0821-6003-01	Screw, Hex Head	4
10	0815-0857-02	Screw, Hex Head	2

## Silencer

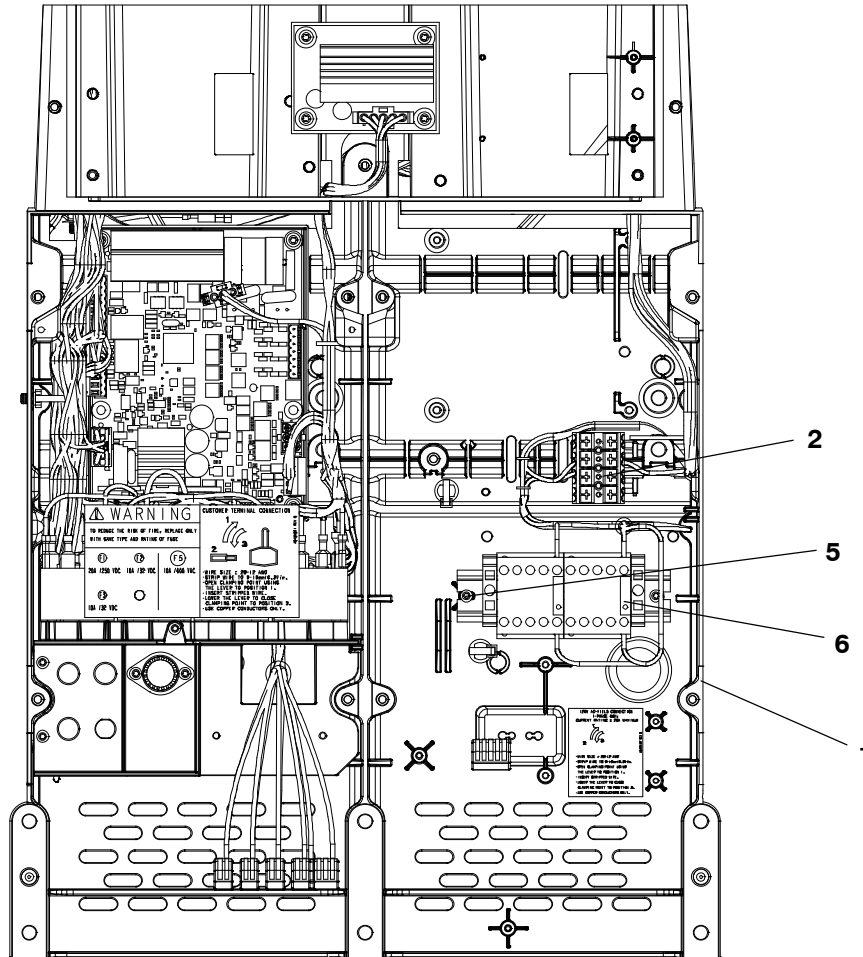
### C25 D6, C30 D6, C35 D6, C40 D6, C50 D6, C60 D6



<p><b>▲PRUDENCE</b>                  Surface chaude.                  Peut causer des brûlures.                  Permettez un temps de refroidissement avant l'entretien.</p>	<p><b>▲ CAUTION</b>                  Hot surfaces.                  Can cause burns.                  Let surfaces cool before servicing.</p>
---	---

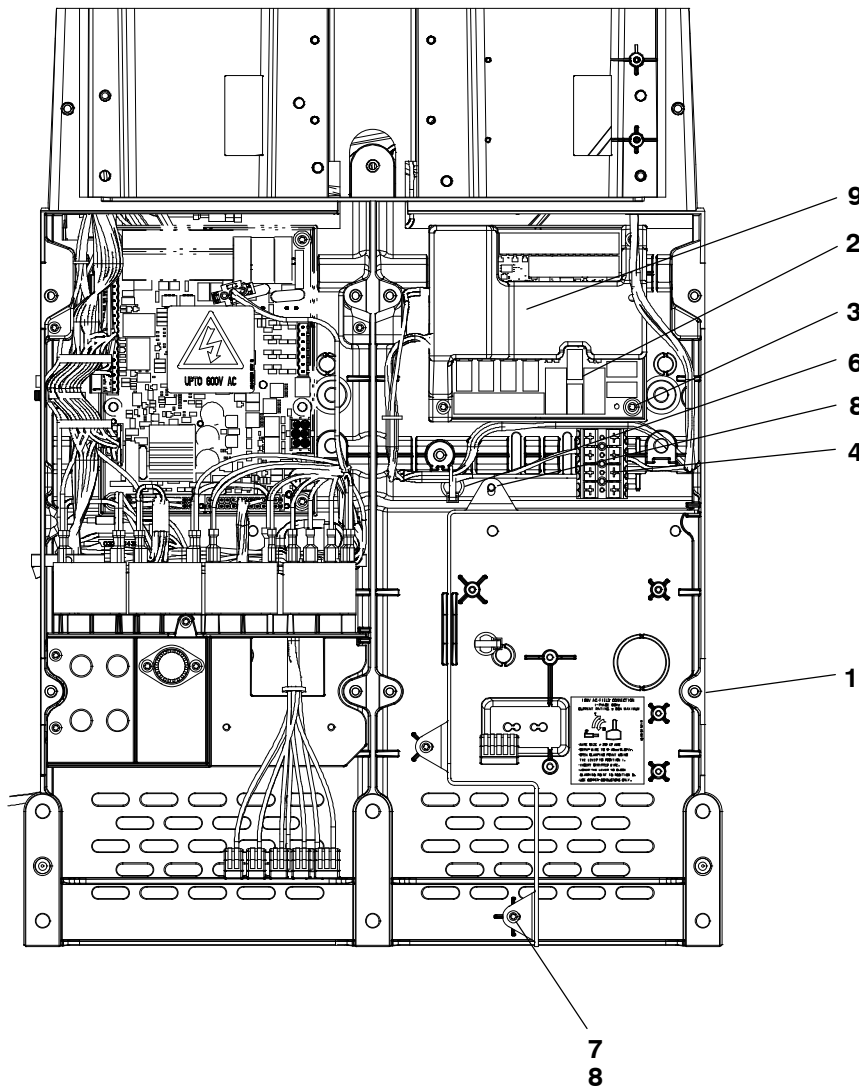
Item	Part No.	Description	Qty
1	A043V771	Silencer	1
2	A043Z832	Pipe, Exhaust	1
3	A043Z834	Pipe, Exhaust	1
4	A044H214	Pipe, Exhaust	1
5	0155-2175	Clamp	1
6	A047E064	Clamp, Exhaust	2
7	0155-2565	Clamp, Vee Band	1
8	0821-6003-01	Screw, Hex Head	4
9	A048G917	Label, Caution	1

## Control Box Relay



Item	Part No.	Description	Qty
1	A044G461	Box, Control (See Page 239 for Components)	1
2	A043B108	Harness, Generator Electrical	1
3	A043E872	Screw, Pan Head (Not Illustrated)	1
4	A044D694	Tie, Cable (Not Illustrated)	3
5	A042Y727	Screw, Pan Head	2
6	A042Z041	Harness, Relay	1

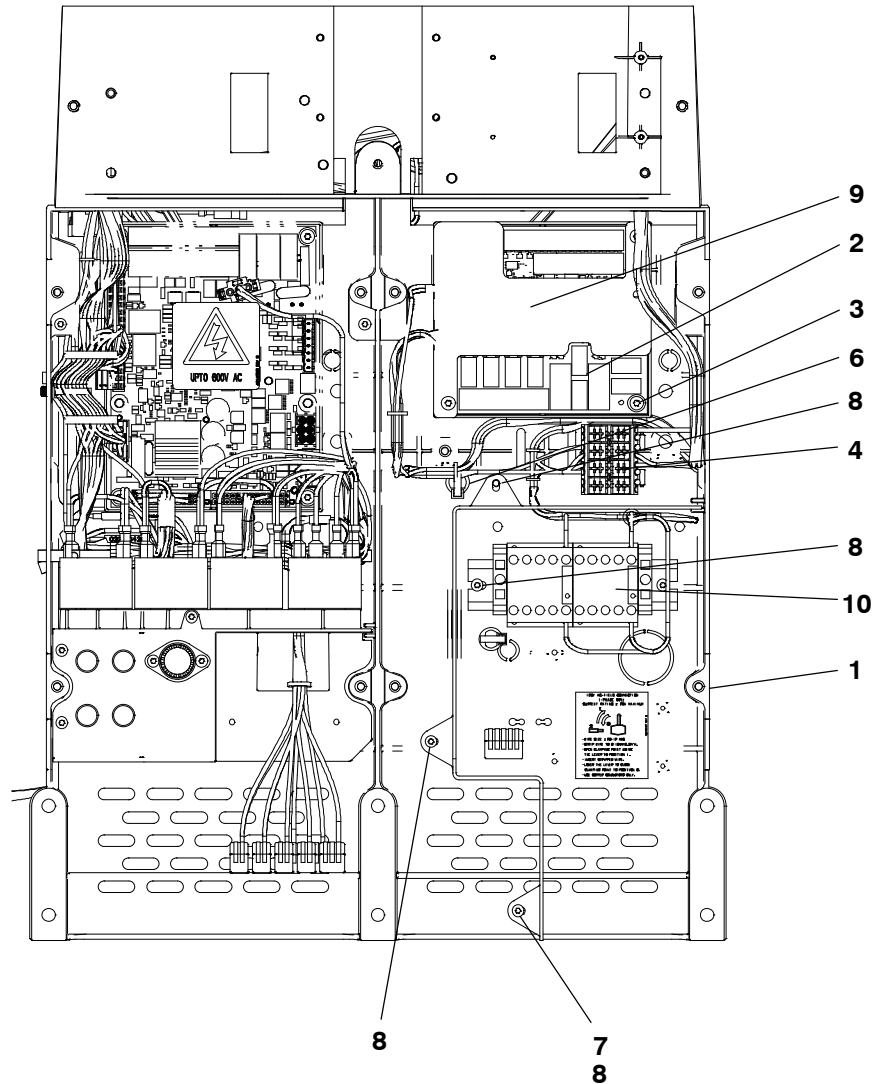
## Control Box Aux-101



Item	Part No.	Description	Qty
1	A044G461	Box, Control (See Page 239 for Components)	1
2	0327-1536	Card, Input Output	1
3	A042Y707	Screw, Pan Head	4
4	A043B108	Harness, Generator Electrical	1
5	A043E872	Screw, Pan Head (Not Illustrated)	1
6	A044D694	Tie, Cable	3
7	A042X751	Guard, Electrical	1
8	A042Y727	Screw, Pan Head	3
9	A043A230	Harness, Circuit Card	1

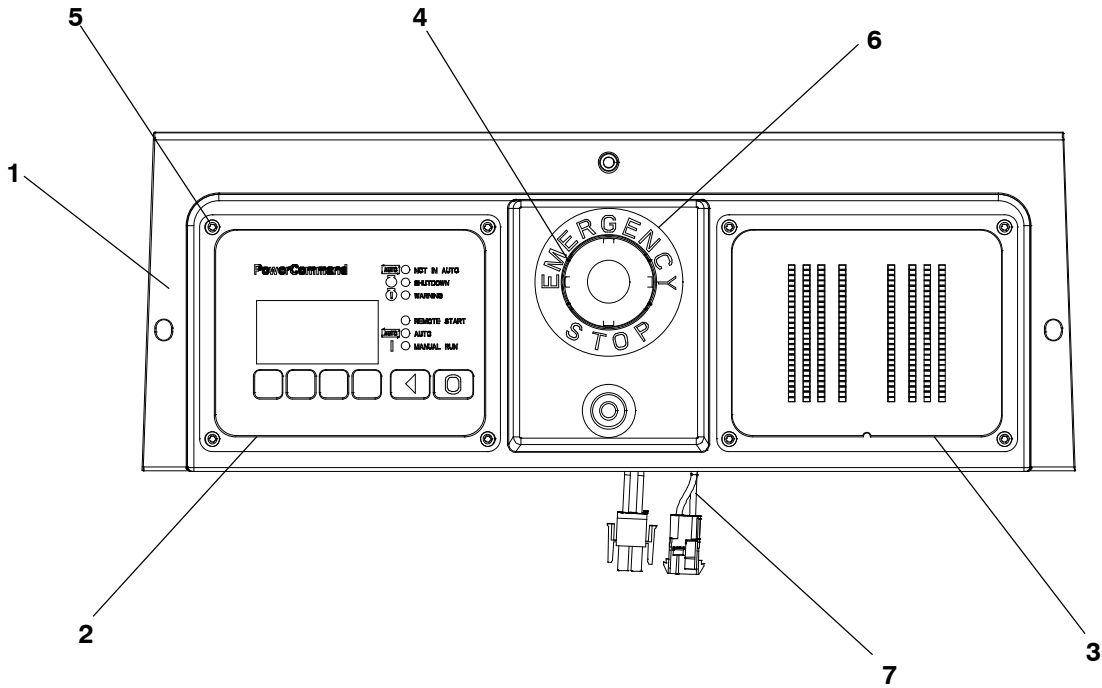


## Control Box Aux-101 and Relay



Item	Part No.	Description	Qty
1	A044G461	Box, Control (See Page 239 for Components)	1
2	0327-1536	Card, Input Output	1
3	A042Y707	Screw, Pan Head	4
4	A043B108	Harness, Generator Electrical	1
5	A043E872	Screw, Pan Head (Not Illustrated)	1
6	A044D694	Tie, Cable	3
7	A042X751	Guard, Electrical	1
8	A042Y727	Screw, Pan Head	5
9	A043A230	Harness, Circuit Card	1
10	A042Z041	Harness, Relay	1

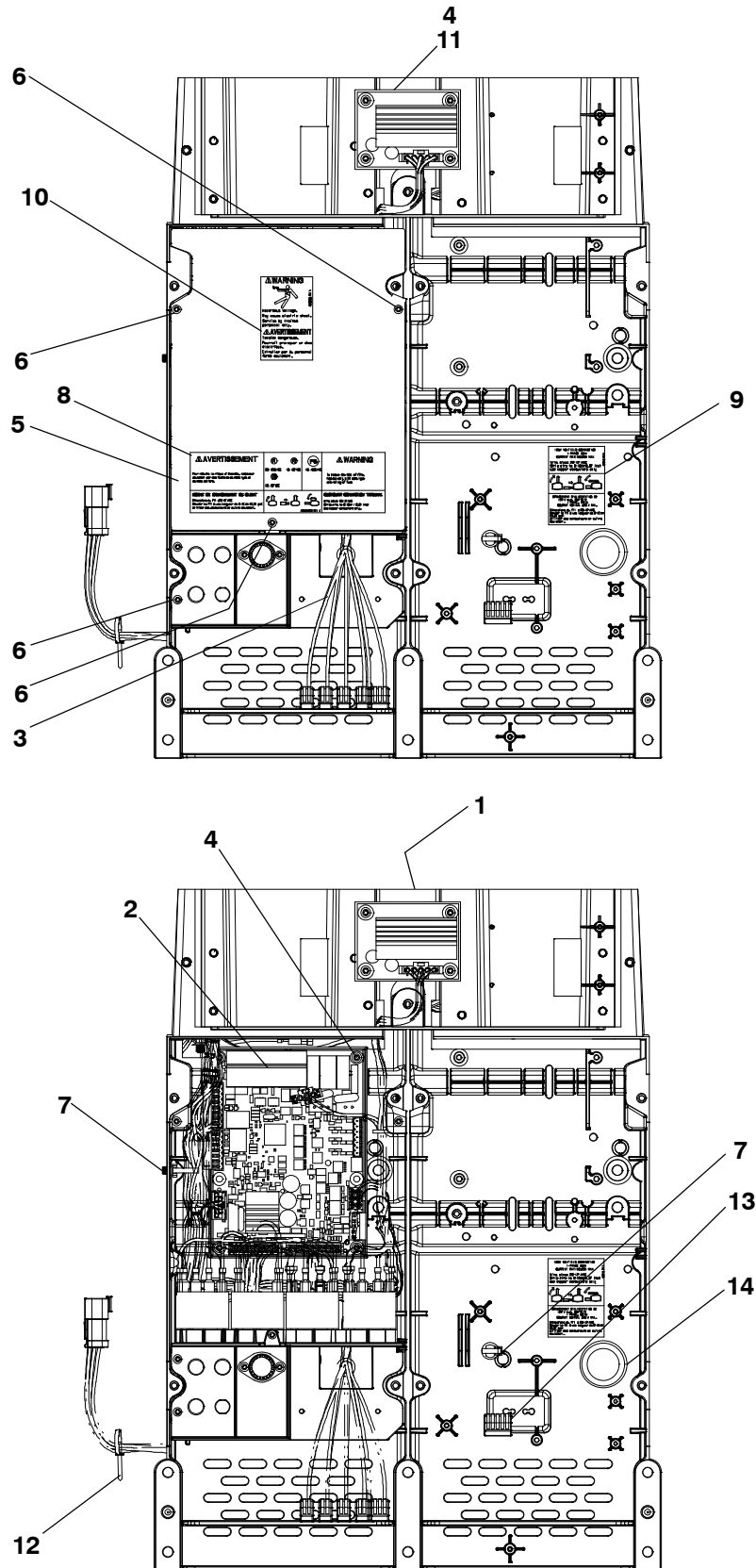
## Display Panel



Item	Part No.	Description	Qty
1		Panel, Display	
	A042X753	Bargraph, Bargraph and E-Stop	1
	A043X343	Standard, E-Stop	1
2	0300-6014	Control, Genset	1
3	0300-6050-02	Display, Control (Bargraph, Bargraph and E-Stop)	1
4	0319-6766	Guard, Electrical	1
5	A043E872	Screw, Pan Head	A/R
6	0308-1177	Bezel, Switch	1
7	A043E232	Harness, Generator Electrical	1

This page is Intentionally blank.

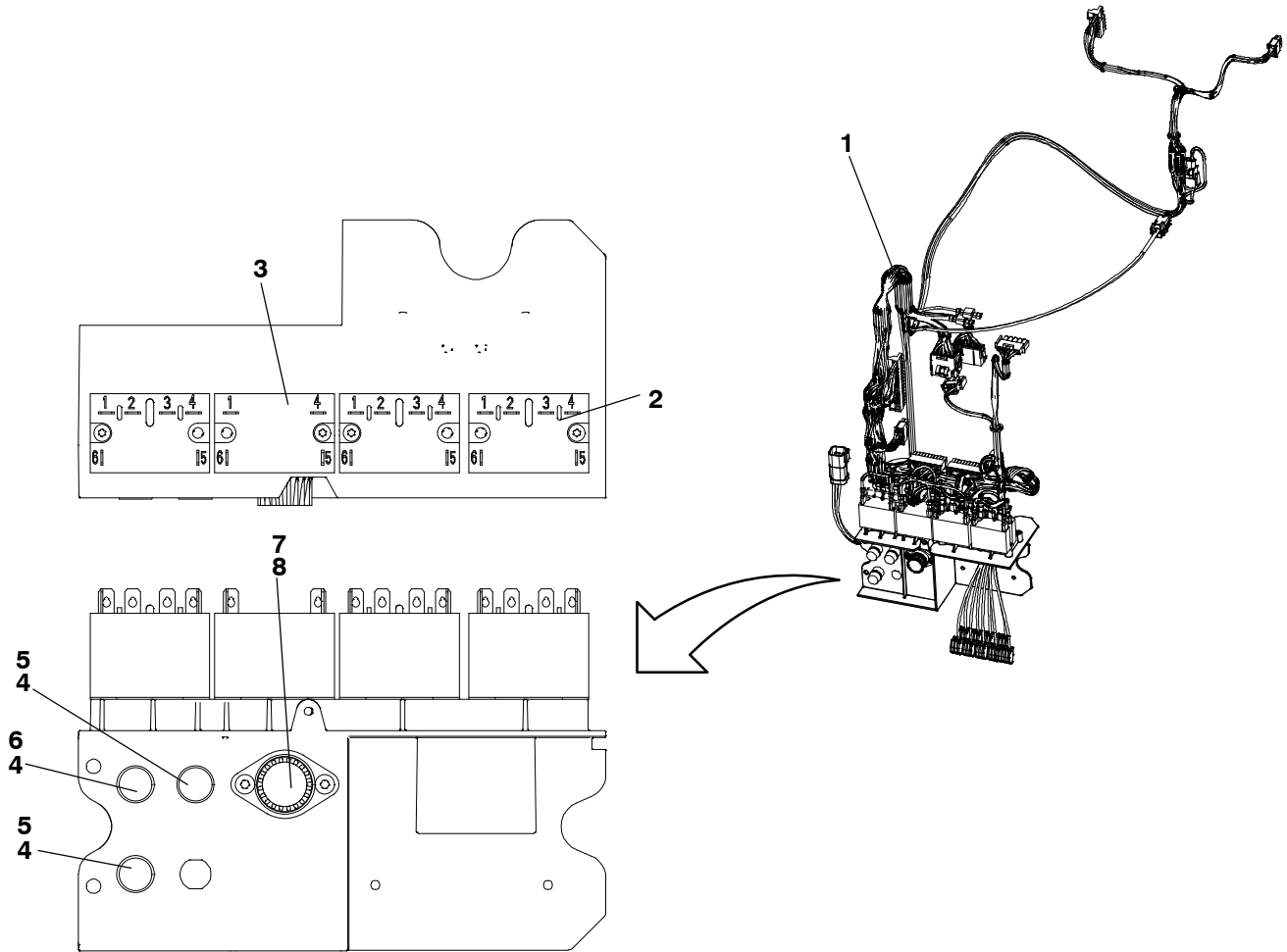
## Control Box Components



## Control Box Components

Item	Part No.	Description	Qty
1	A042X733	Box, Plastic	1
2	A043W505	Card, Control	1
3	A044J447	Harness, Generator Electrical (See Page 240 for Service Parts)	1
4	A042Y707	Screw, Pan Head	8
5	A043C438	Cover, Control	1
6	A042Y727	Screw, Pan Head	5
7	A044D694	Tie, Cable	6
8	A048H029	Label, Marking	1
9	A048H191	Label, Information	1
10	A048G965	Label, Warning	1
11	0327-1507	Card, Governor	1
12	0332-1794	Tie, Cable	1
13	A046D267	Connector, Terminal Block	3
14	A046S585	Grommet	1

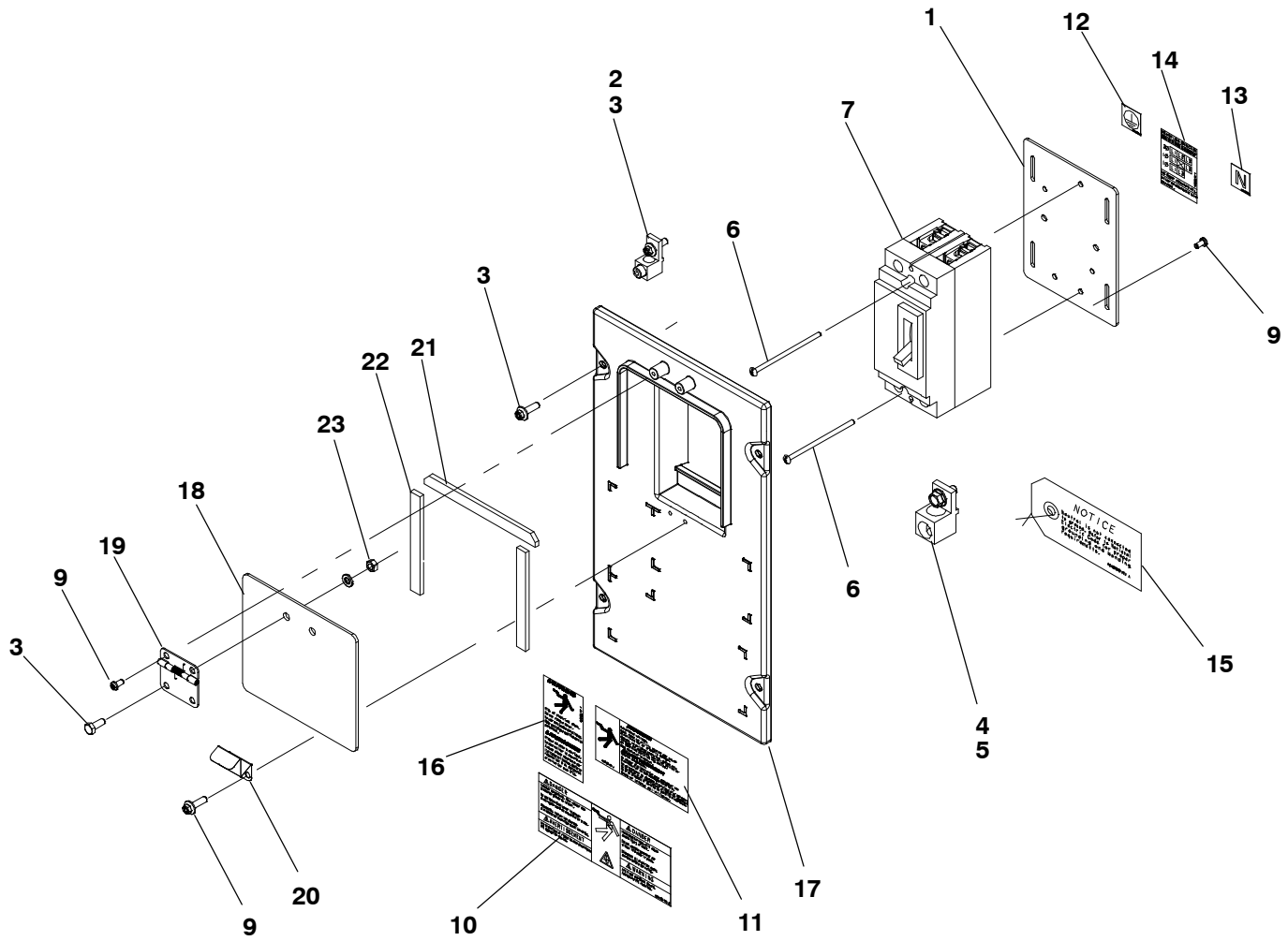
## Generator Electrical Harness (Service Parts)



Item	Part No.	Description	Qty
1	A044J447	Harness, Generator Electrical	1
2	0307-2968-01	Relay, Power	3
3	0307-2968-03	Relay, Power	1
4	0321-0175	Holder, Fuse	3
5	0321-0372-05	Fuse, Cartridge (10A)	2
6	0321-0372-07	Fuse, Cartridge (20A)	1
7	A042Z472	Fuse, Cartridge	1
8	A042Z462	Holder, Fuse	1

This page is Intentionally blank.

## Circuit Breaker 2 Pole, H Frame

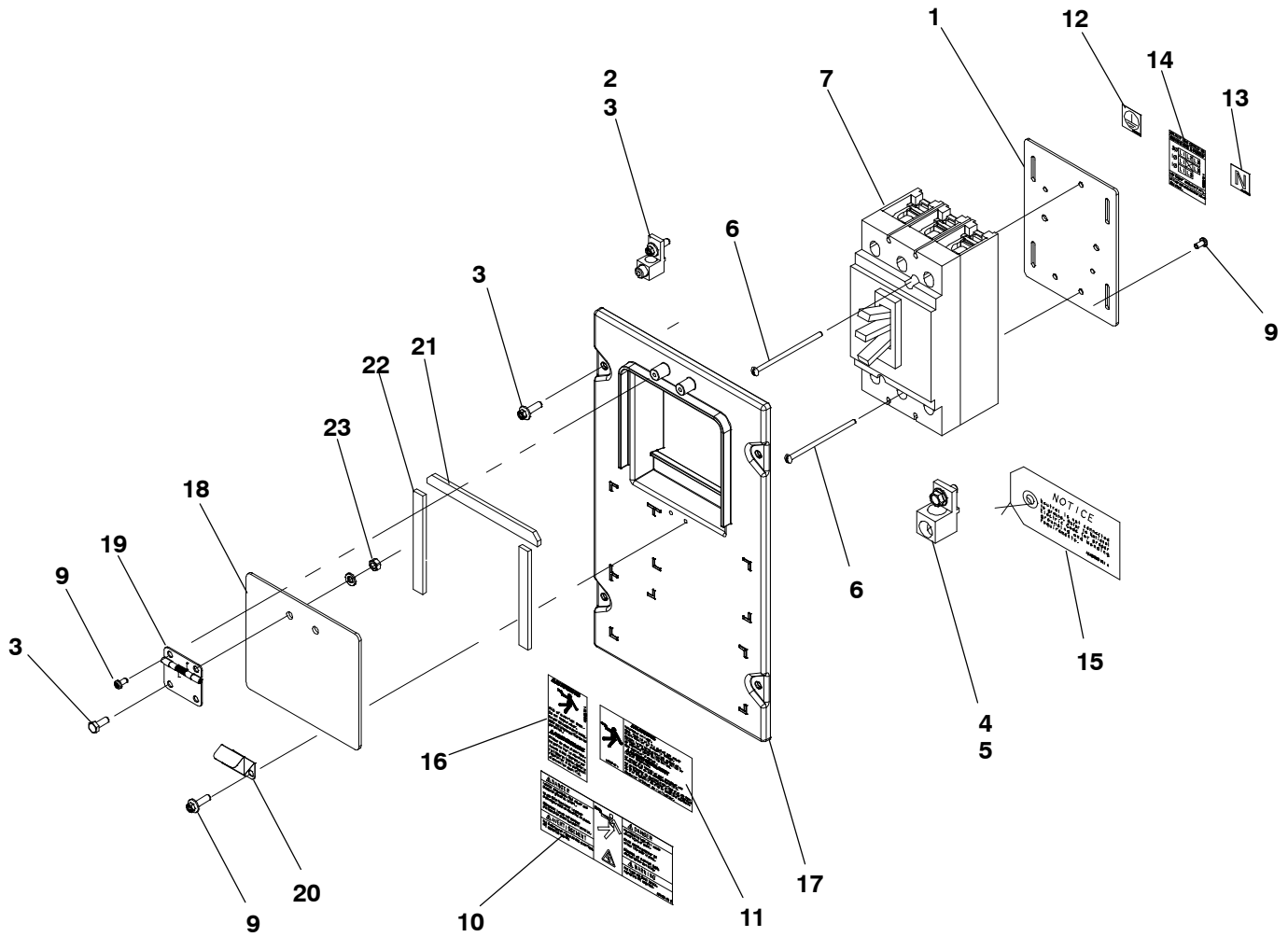




## Circuit Breaker 2 Pole, H Frame

Item	Part No.	Description	Qty
1	A044D162	Bracket, Mounting	1
2	0332-3084	Lug, Solderless	1
3	0815-0857-02	Screw, Hex Head	7
4	A047D352	Lug, Solderless	1
5	0800-6524-02	Screw, Hex Flange Head	1
6	0812-0094	Screw, Round Head	2
7		Breaker, Circuit	
	A044Z201	15A	1
	A044Z200	20A	1
	A044Z203	25A	1
	A044Z199	30A	1
	A044Z198	40A	1
	A044Z197	50A	1
	A044Z196	60A	1
	A044Z195	70A	1
	A044Z194	80A	1
	A044Z193	90A	1
	A044Z192	100A	1
	A044Z191	125A	1
	A044Z190	150A	1
8	0091-0002	Strip, Copper Coil (Not Illustrated)	0.01 LB
9	A042Y727	Screw, Pan Head	8
10	A044F254	Label, Warning	1
11	A048H031	Label, Warning	1
12	A044F269	Label, Ground	1
13	A044H599	Label, Neutral	1
14	A048G956	Label, Marking	1
15	A048G968	Tag, Terminal	1
16	A048H035	Label, Warning	1
17	A042X738	Cover, Circuit Breaker	1
18	A046H953	Cover, Circuit Breaker	1
19	A046H951	Hinge, Door	1
20	A046R458	Catch, Door	1
21	A046T825	Seal, Weather	1
22	A046T827	Seal, Weather	2
23	0870-2065-02	Nut, Hex Flange	A/R

### Circuit Breaker 3 Pole, H Frame

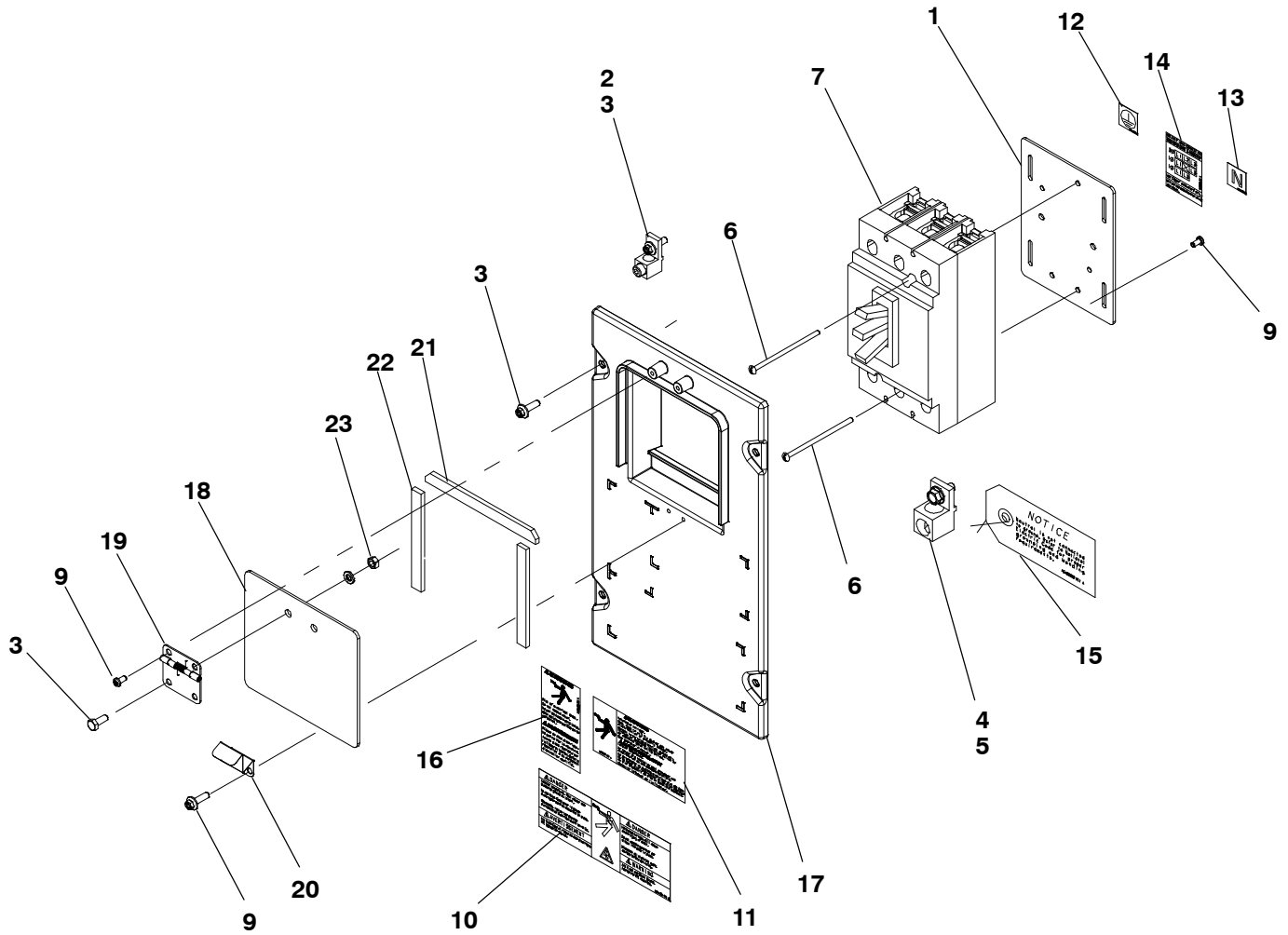


## Circuit Breaker

### 3 Pole, H Frame

Item	Part No.	Description	Qty
1	A044D162	Bracket, Mounting	1
2	0332-3084	Lug, Solderless	1
3	0815-0857-02	Screw, Hex Head	7
4	A047D352	Lug, Solderless	1
5	0800-6524-02	Screw, Hex Flange Head	1
6	0812-0094	Screw, Round Head	2
7		Breaker, Circuit	
	A044Z215	15A	1
	A044Z214	20A	1
	A044Z216	25A	1
	A044Z213	30A	1
	A044Z212	40A	1
	A044Z211	50A	1
	A044Z210	60A	1
	A044Z209	70A	1
	A044Z207	80A	1
	A044Z206	90A	1
	A044Z208	100A	1
	A044Z205	125A	1
	A044Z204	150A	1
8	0091-0002	Strip, Copper Coil (Not Illustrated)	0.01 LB
9	A042Y727	Screw, Pan Head	8
10	A044F254	Label, Warning	1
11	A048H031	Label, Warning	1
12	A044F269	Label, Ground	1
13	A044H599	Label, Neutral	1
14	A048G956	Label, Marking	1
15	A048G968	Tag, Terminal	1
16	A048H035	Label, Warning	1
17	A042X740	Cover, Circuit Breaker	1
18	A046H953	Cover, Circuit Breaker	1
19	A046H951	Hinge, Door	1
20	A046R458	Catch, Door	1
21	A046T825	Seal, Weather	1
22	A046T827	Seal, Weather	2
23	0870-2065-02	Nut, Hex Flange	2

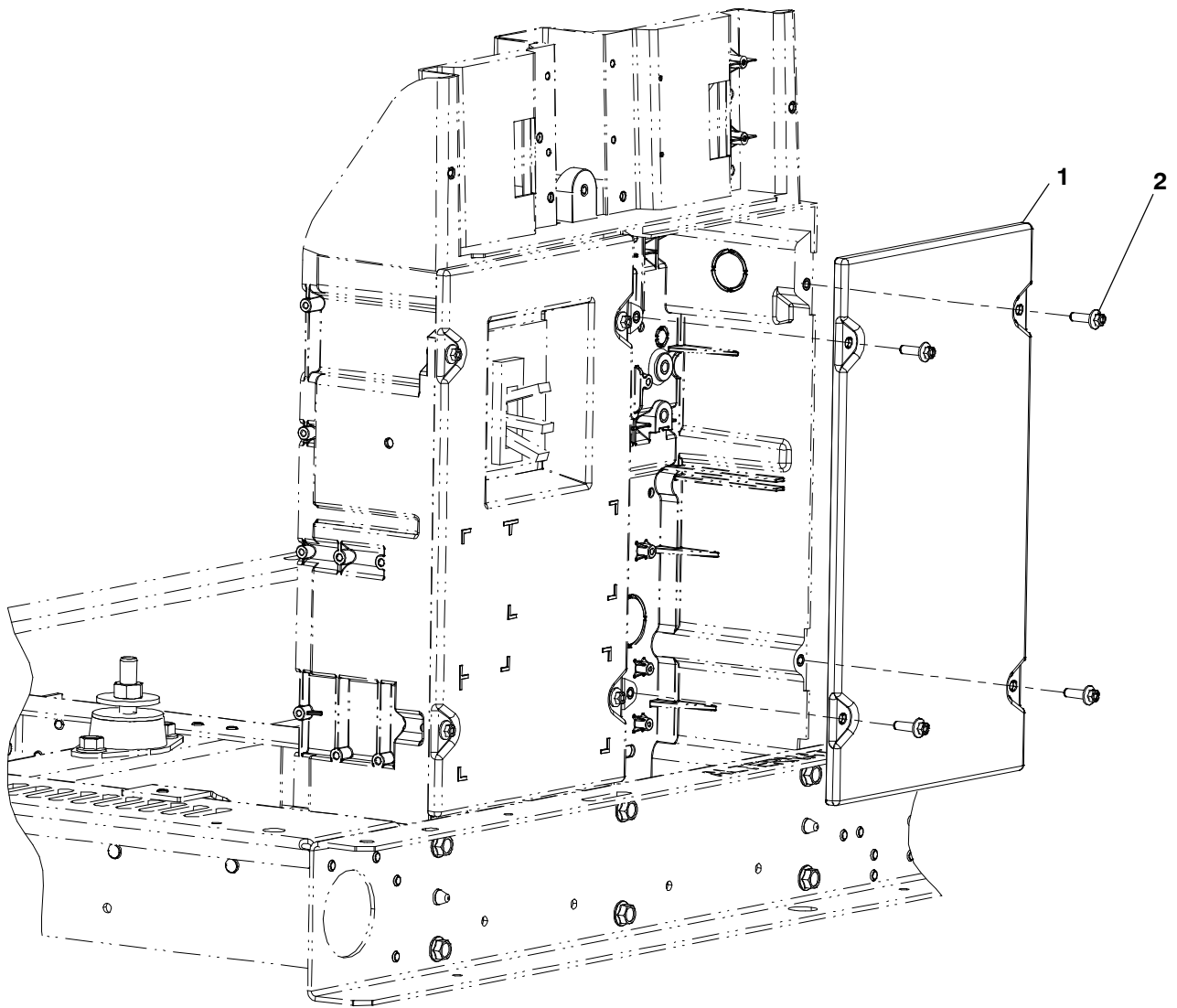
## Circuit Breaker 2 & 3 Pole, J Frame



## Circuit Breaker 2 & 3 Pole, J Frame

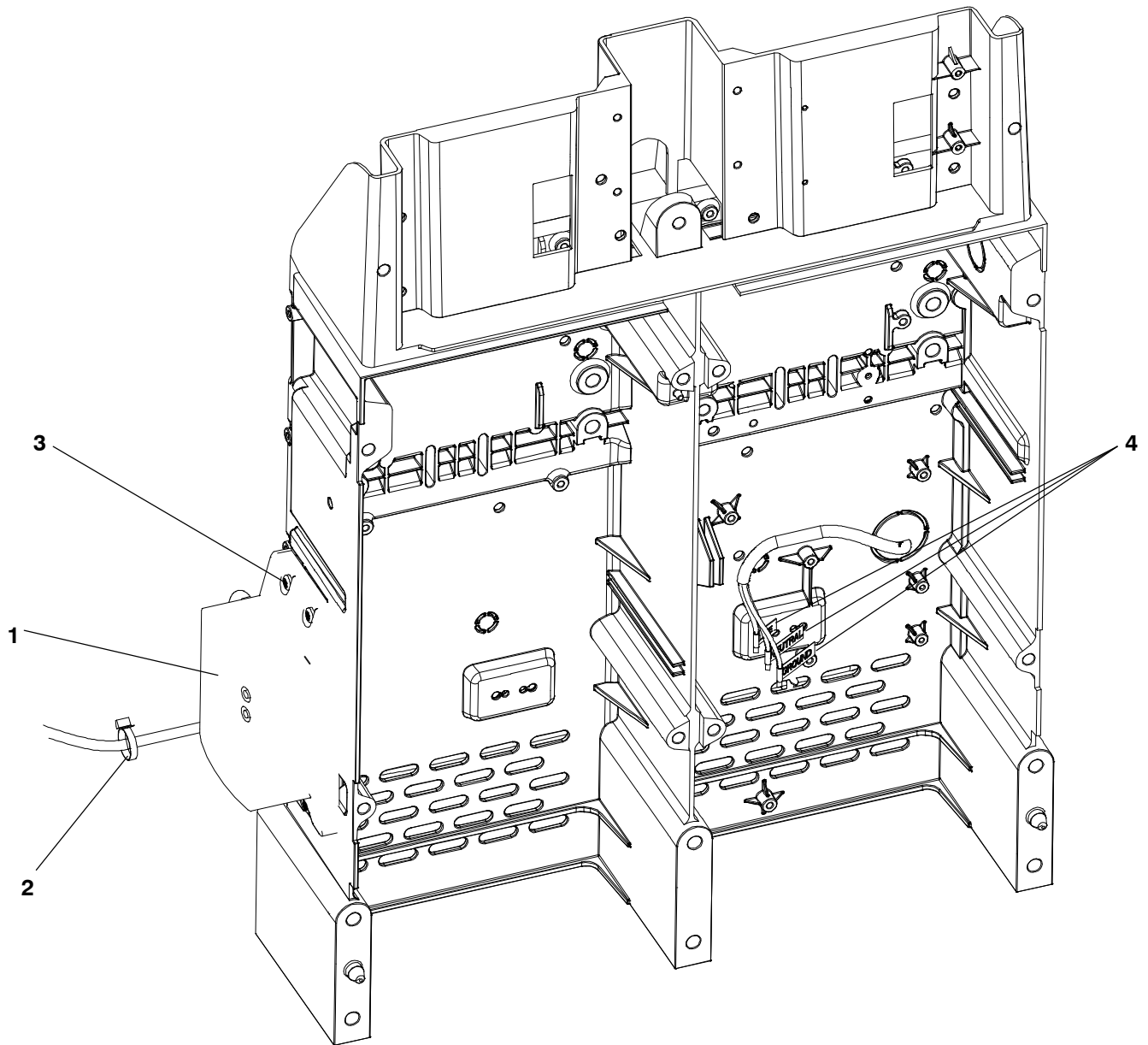
Item	Part No.	Description	Qty
1	A044D162	Bracket, Mounting	1
2	0332-3084	Lug, Solderless	1
3	0815-0857-02	Screw, Hex Head	7
4	A047D352	Lug, Solderless	1
5	0800-6524-02	Screw, Hex Flange Head	1
6	0812-0094	Screw, Round Head	2
7		Breaker, Circuit	
		<b>2 Pole</b>	
	A044Z184	175A	1
	A044Z183	200A	1
	A044Z182	225A	1
	A044Z045	250A	1
		<b>3 Pole</b>	
	A044Z189	175A	1
	A044Z187	200A	1
	A044Z186	225A	1
	A044Z185	250A	1
	A044Z217	Set Trip: 70 to 250A (LI Electronic 50-60Hz)	1
	A048N320	250A Cu Lug (Thermal-Magnetic 50-60 Hz)	1
	A050P694	250A (LSI Electronic Trip – 80% Rated)	1
	A050P695	250A (LSI Electronic Trip – 100% Rated)	1
8	0091-0002	Strip, Copper Coil (Not Illustrated)	0.01 LB
9	A042Y727	Screw, Pan Head	8
10	A044F254	Label, Warning	1
11	A048H031	Label, Warning	1
12	A044F269	Label, Ground	1
13	A044H599	Label, Neutral	1
14	A048G956	Label, Marking	1
15	A048G968	Tag, Terminal	1
16	A048H035	Label, Warning	1
17	A042X740	Cover, Circuit Breaker	1
18	A046H953	Cover, Circuit Breaker	1
19	A046H951	Hinge, Door	1
20	A046R458	Catch, Door	1
21	A046T825	Seal, Weather	1
22	A046T827	Seal, Weather	2
23	0870-2065-02	Nut, Hex Flange	2

## Circuit Breaker Door



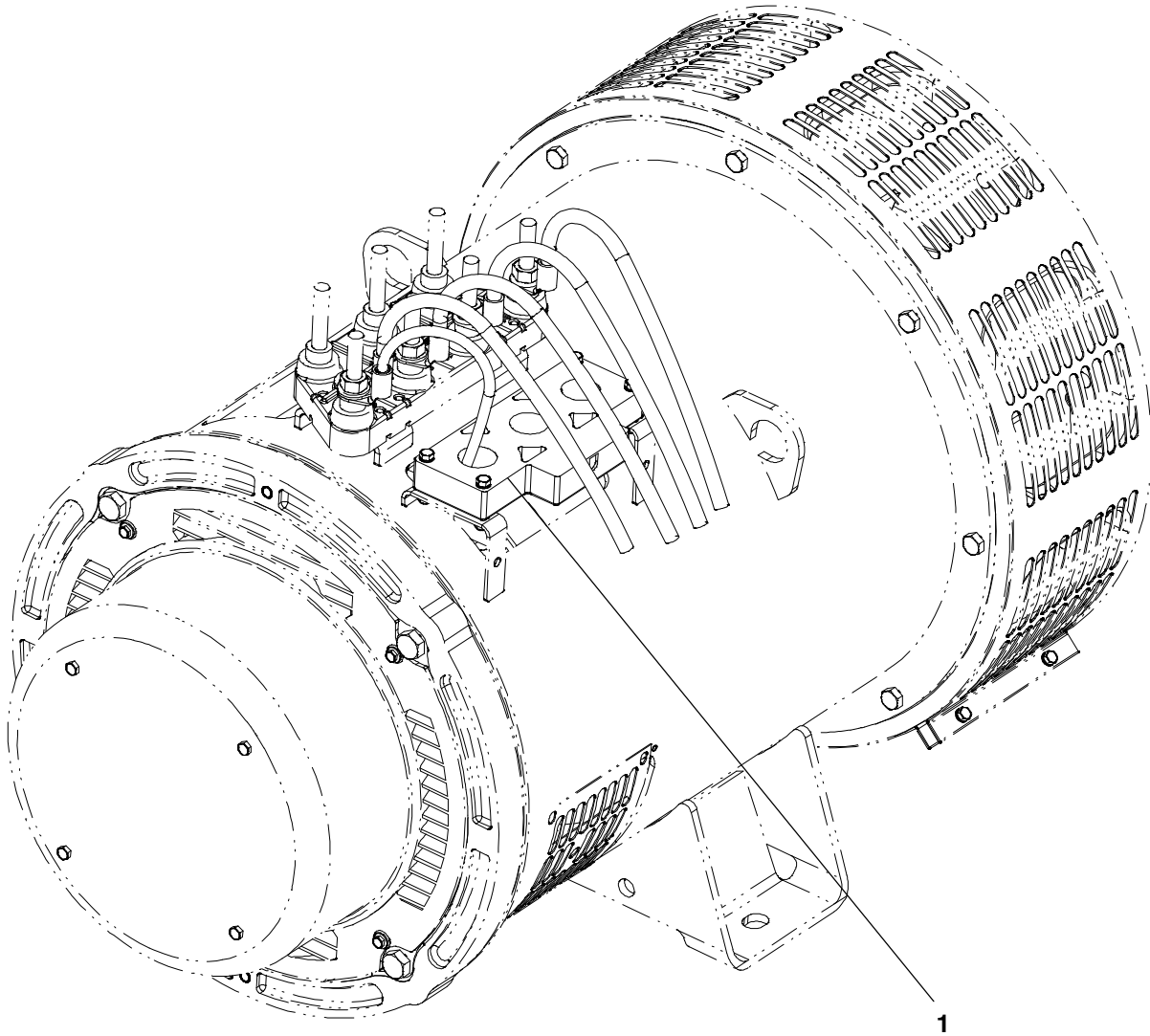
Item	Part No.	Description	Qty
1	A042X758	Cover, Box	1
2	0815-0857-02	Screw, Hex Head	4

## Battery Charger



Item	Part No.	Description	Qty
1	A043B984	Charger, Battery	1
2	0332-1794	Tie, Cable	9
3	A042Y689	Screw, Pan Head	4
4	A046G477	Label, Marking	1

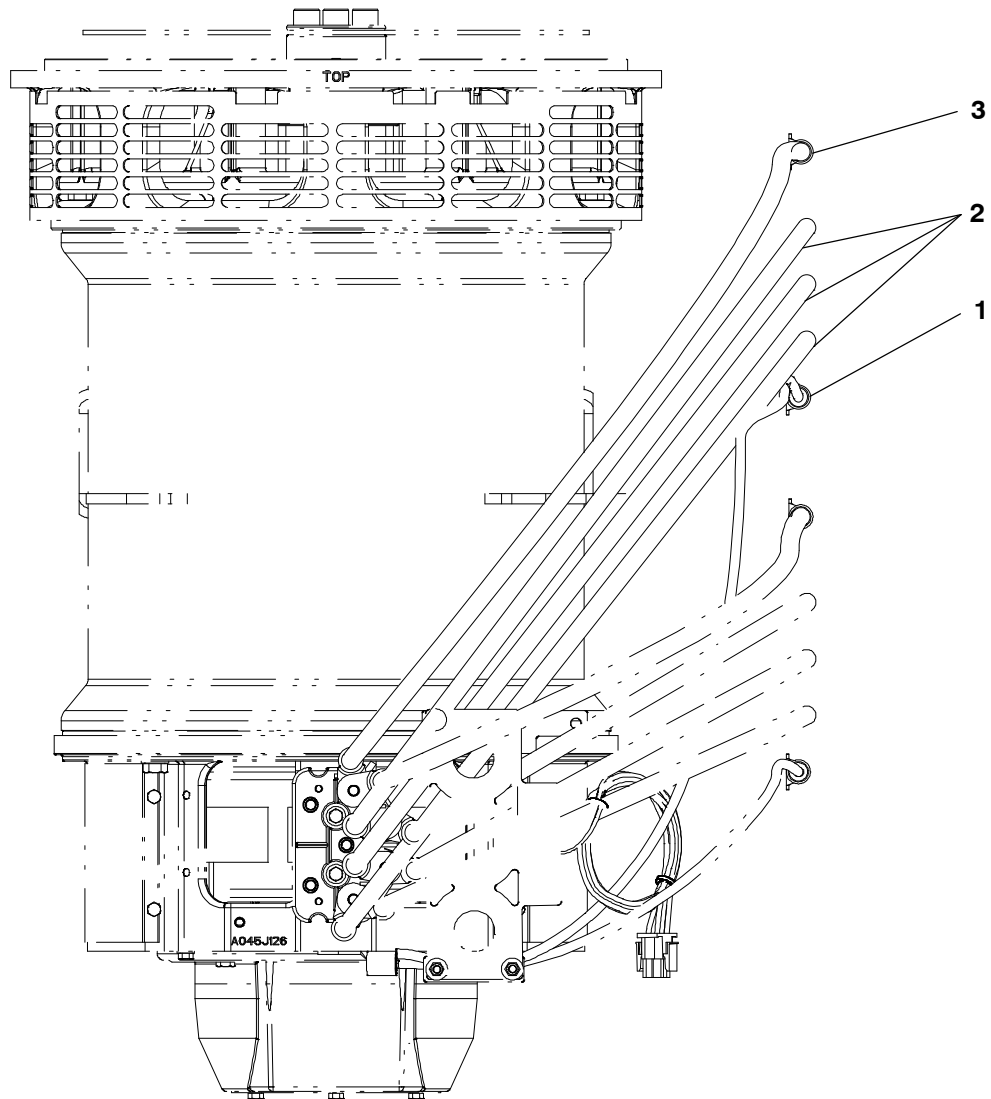
## Current Transformer



Item	Part No.	Description	Qty
1		Transformer, Current	
	A043E623	CT Primary – 75 (C20 D6, C25 D6)	1
	A043E627	CT Primary – 120 (C30 D6, C35 D6, C40 D6)	1
	A043E633	CT Primary – 200 (C50 D6, C60 D6)	1

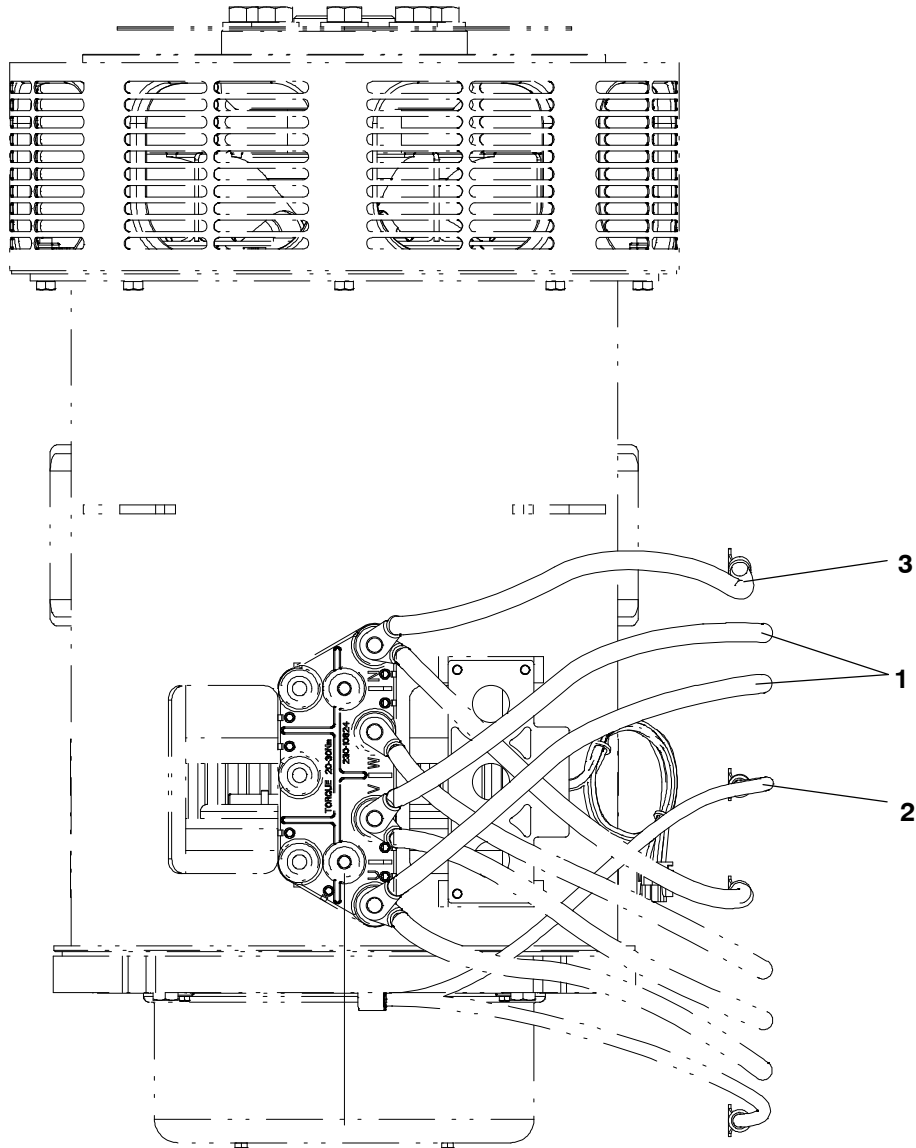


### Lead Package – CA115



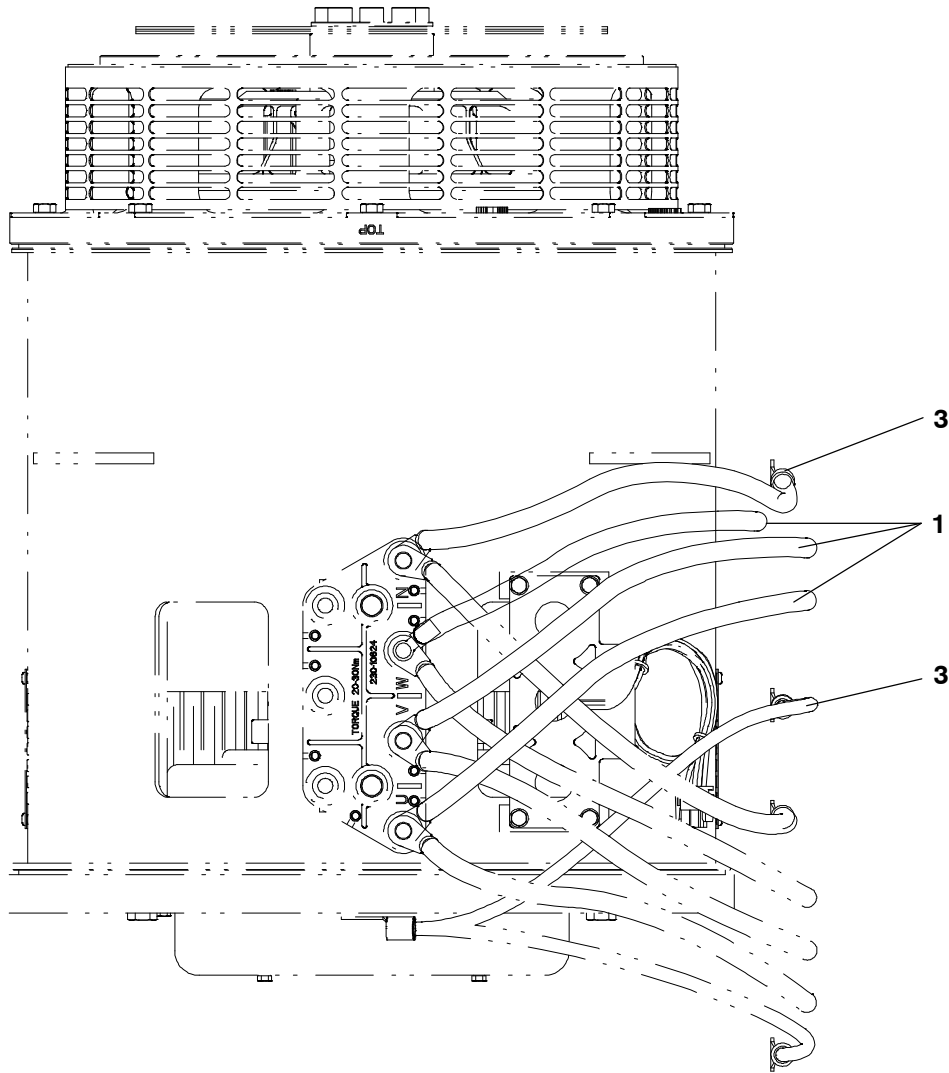
Item	Part No.	Description	Qty
1	A041T446	Lead	1
2	A047Z271	Lead	1
3		Lead	
	A047Z265	1 Phase, 2 Pole	2
	A047Z265	3 Phase, 3 Pole	3

### Lead Package – CA125



Item	Part No.	Description	Qty
1		Lead	
	A041T049	1 Phase, 2 Pole	2
	A041T049	3 Phase, 3 Pole	3
2	A041T446	Lead	1
3	A041T438	Lead	1

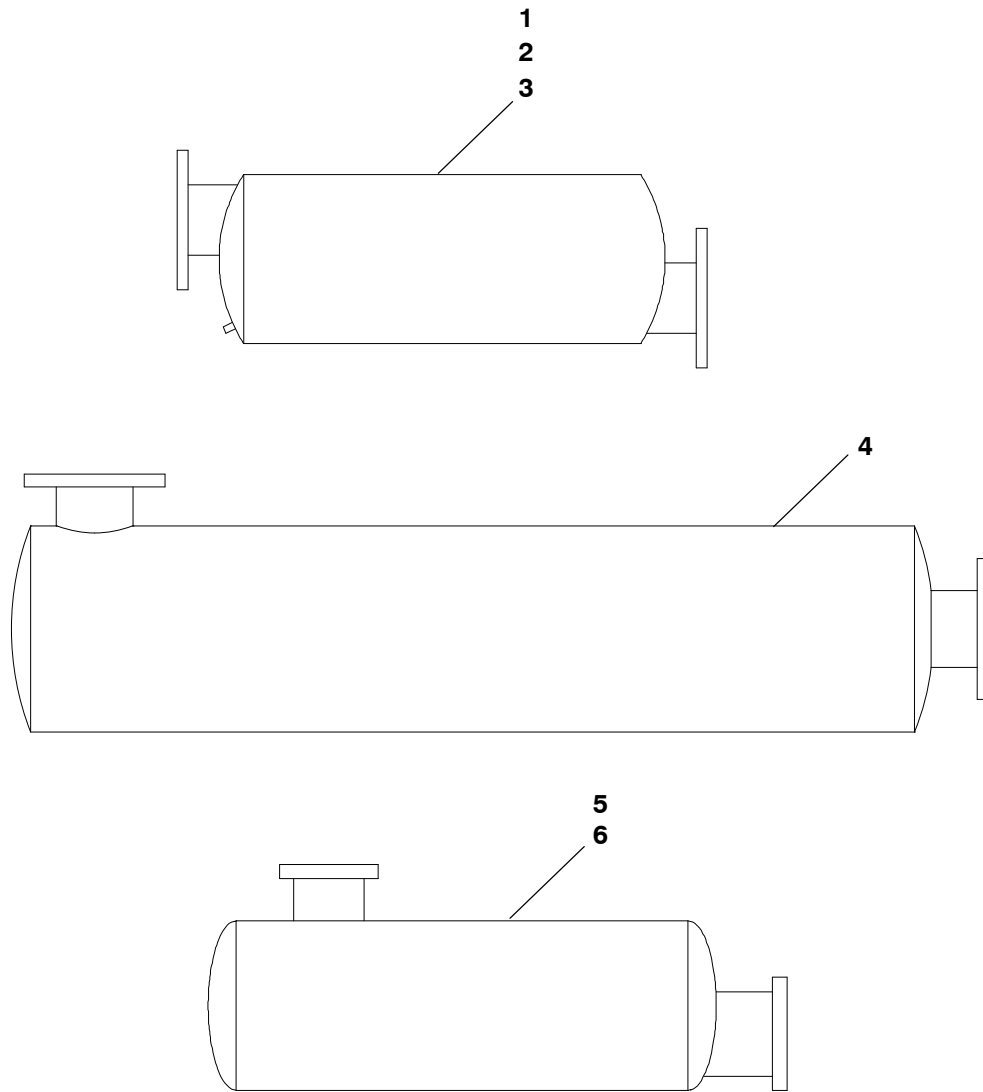
## Lead Package - CA135



Item	Part No.	Description	Qty
1	A041T051	Lead	A/R
2	A041T446	Lead	1
3	A041T440	Lead	1

## Accessories and Kits

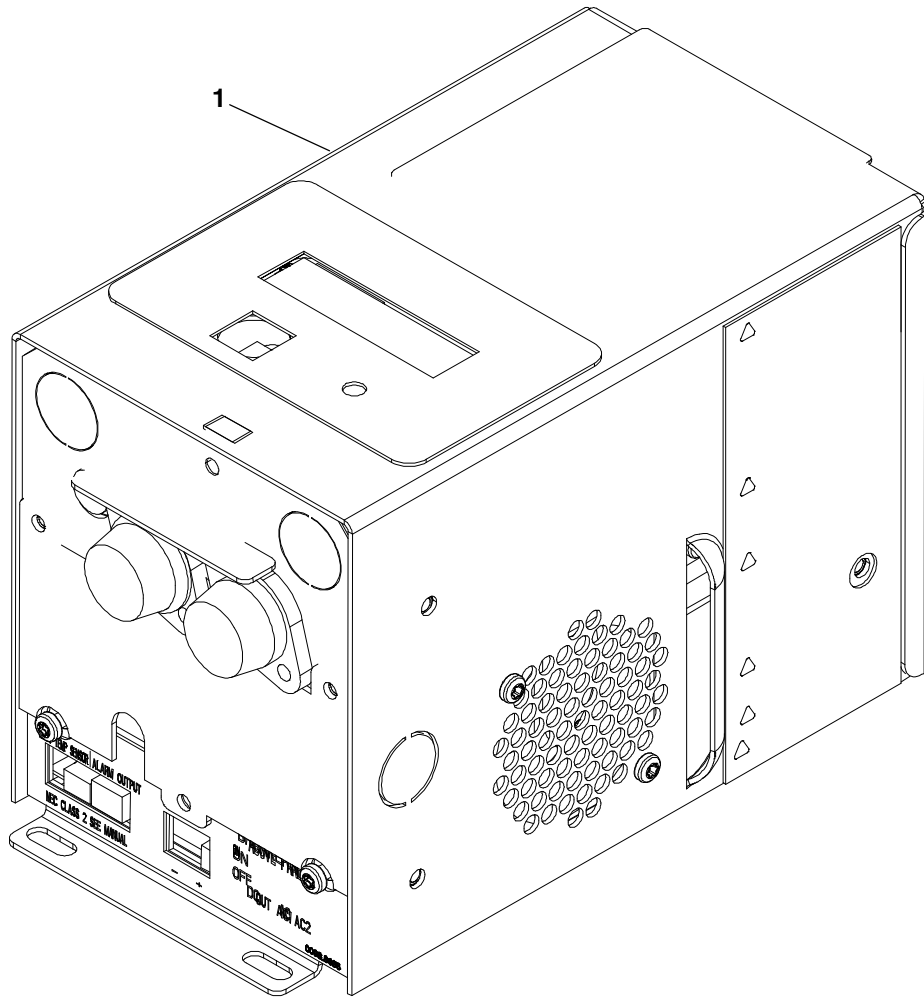
### Muffler



## Muffler

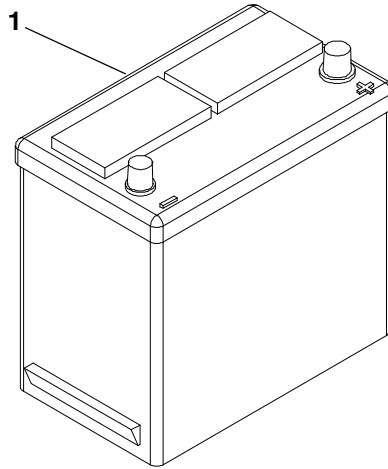
Item	Part No.	Description	Qty
1		Muffler, Industrial	
	0155-2063-02	C25 D6, C30 D6, C35 D6, C40 D6, C50 D6, C60 D6	1
	0155-2063-09	C10 D6, C15, D6, C20 D6	1
2		Muffler, Residential	
	0155-2064-02	C25 D6, C30 D6, C35 D6, C40 D6, C50 D6, C60 D6	1
	0155-2064-09	C10 D6, C15, D6, C20 D6	1
3		Muffler, Critical	
	0155-2065-02	C25 D6, C30 D6, C35 D6, C40 D6, C50 D6, C60 D6	1
	0155-2065-09	C10 D6, C15, D6, C20 D6	1
4		Muffler, Industrial	
	0155-2340-07	C25 D6, C30 D6, C35 D6, C40 D6, C50 D6, C60 D6 (3" NPT)	1
	0155-2340-09	C10 D6, C15, D6, C20 D6 (2" NPT)	1
5		Muffler, Residential	
	0155-2341-07	C25 D6, C30 D6, C35 D6, C40 D6, C50 D6, C60 D6 (3" NPT)	1
	0155-2341-09	C10 D6, C15, D6, C20 D6 (2" NPT)	1
6		Muffler, Critical	
	0155-2342-07	C25 D6, C30 D6, C35 D6, C40 D6, C50 D6, C60 D6 (3" NPT)	1
	0155-2342-09	C10 D6, C15, D6, C20 D6 (2" NPT)	1

### Stand Alone Battery Charger (15A – 12V)



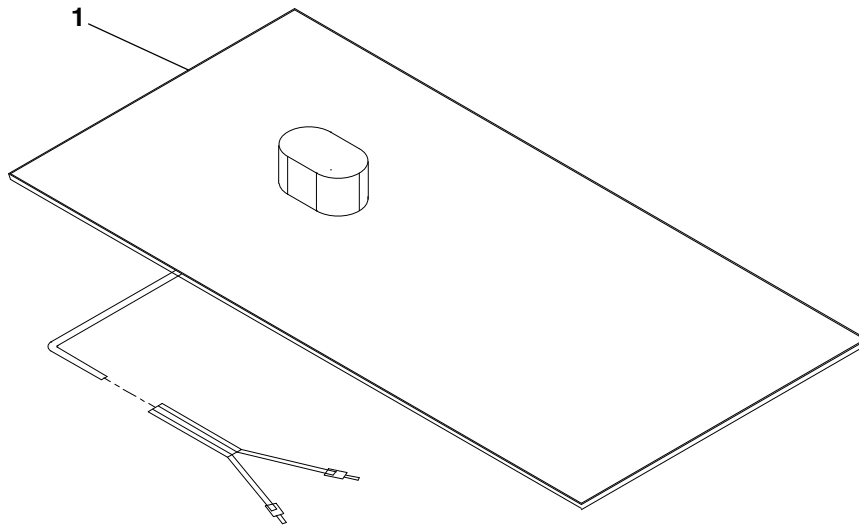
Item	Part No.	Description	Qty
1		Charger, Battery	
	0300-5878-01	120, 208, 240V	1
	0300-5878-02	277V	1
	0300-5878-03	380V	1
	0300-5878-04	416V	1
	0300-5878-05	480V	1
	0300-5878-06	600V	1

## Battery



Item	Part No.	Description	Qty
1		Battery	
	0416-1051	530 Cold Cranking Amps	1
	A045P632	850 Cold Cranking Amps	1

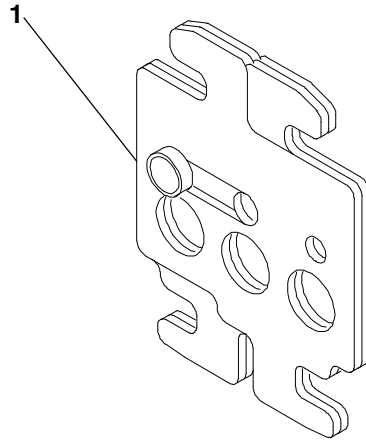
## Battery Heater



Item	Part No.	Description	Qty
1	A045R833	Heater, Battery	1

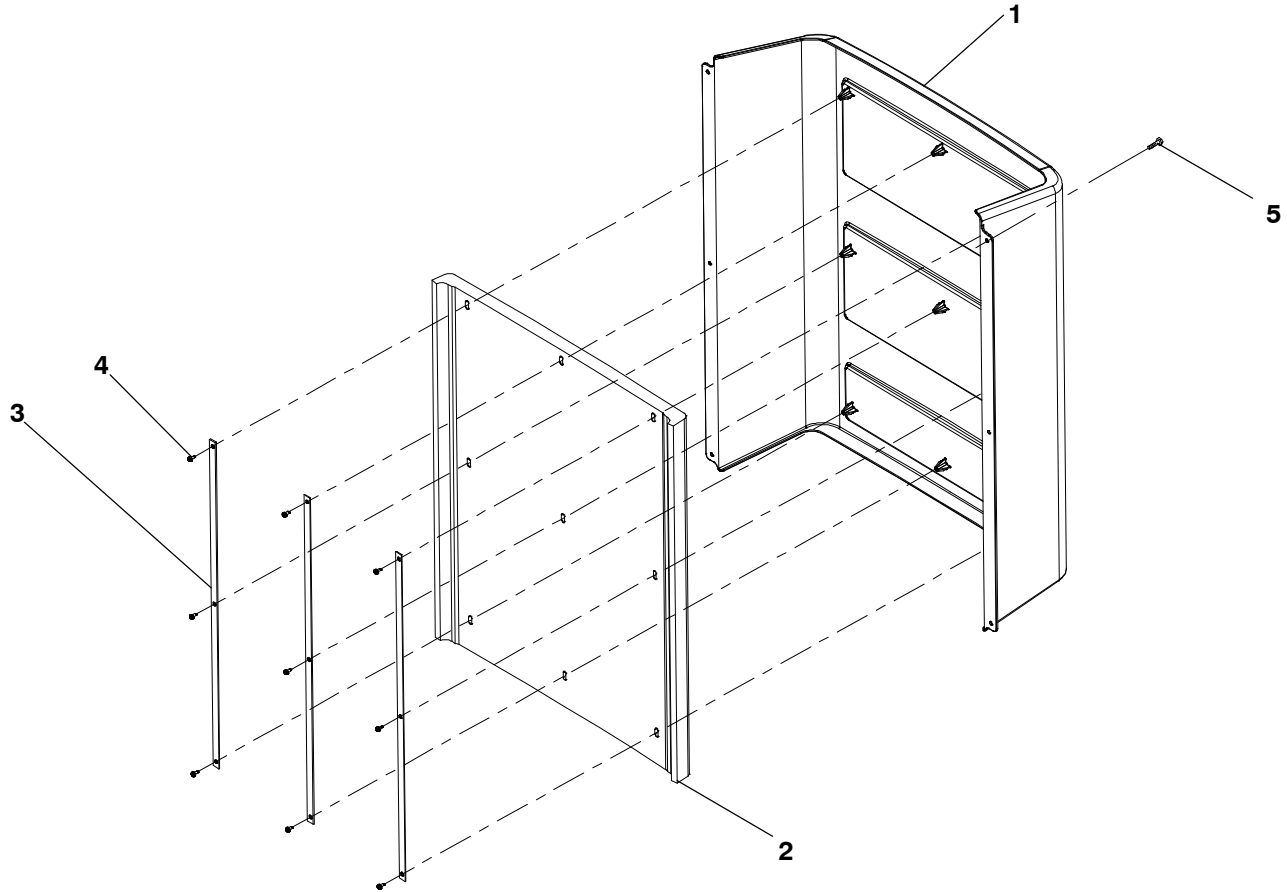


## Circuit Breaker Lock Out



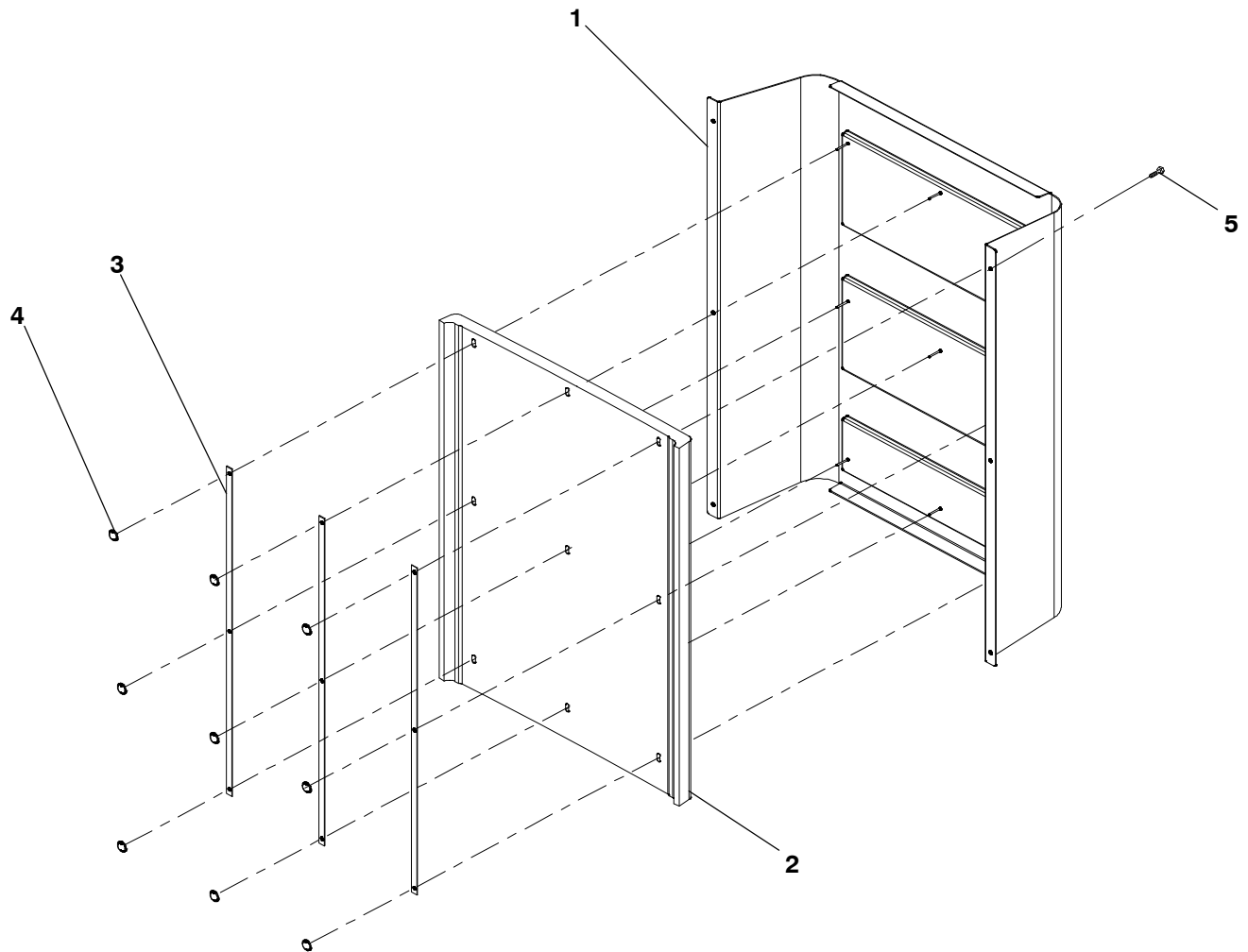
Item	Part No.	Description	Qty
1	0406-1234	Lock Out – Circuit Breaker	1

**Inlet Duct Kit – Enclosure, Sound Att, QS, 2nd Stg (Sandstone)**



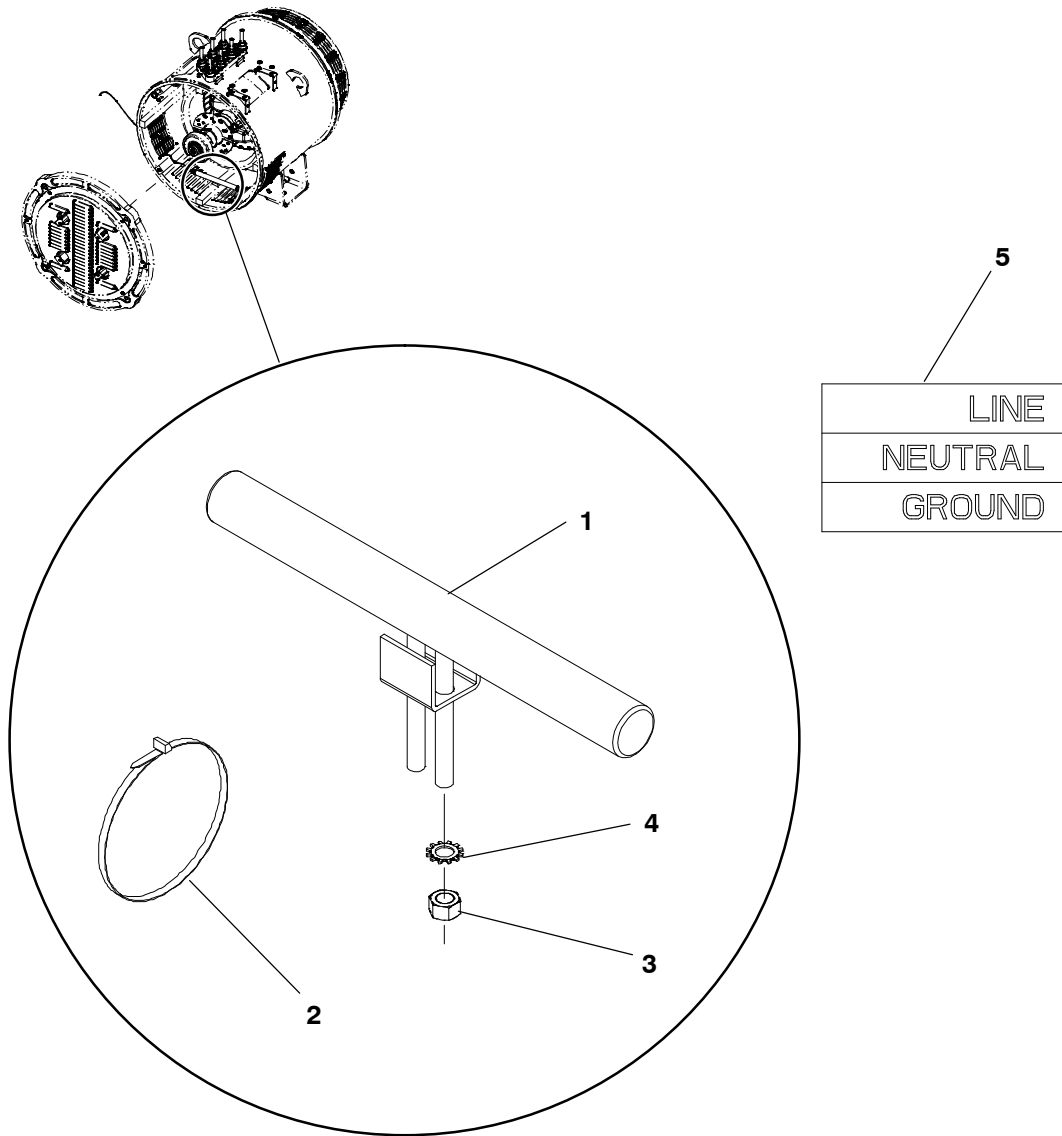
Item	Part No.	Description	Qty
	A044F371	Kit, Duct Inlet (Includes the Following Parts)	1
1	A044B039	Duct, Inlet	1
2	A045F854	Insulation, Cover	1
3	A043X494	Retainer, Insulation	3
4	A042Y727	Screw, Pan Head	9
5	0815-0857-02	Screw, Pan Head	6
6	A046J596	Sheet, Instruction	1

### Inlet Duct Kit – Enclosure, Sound Att, QS, 2nd Stg (Green)



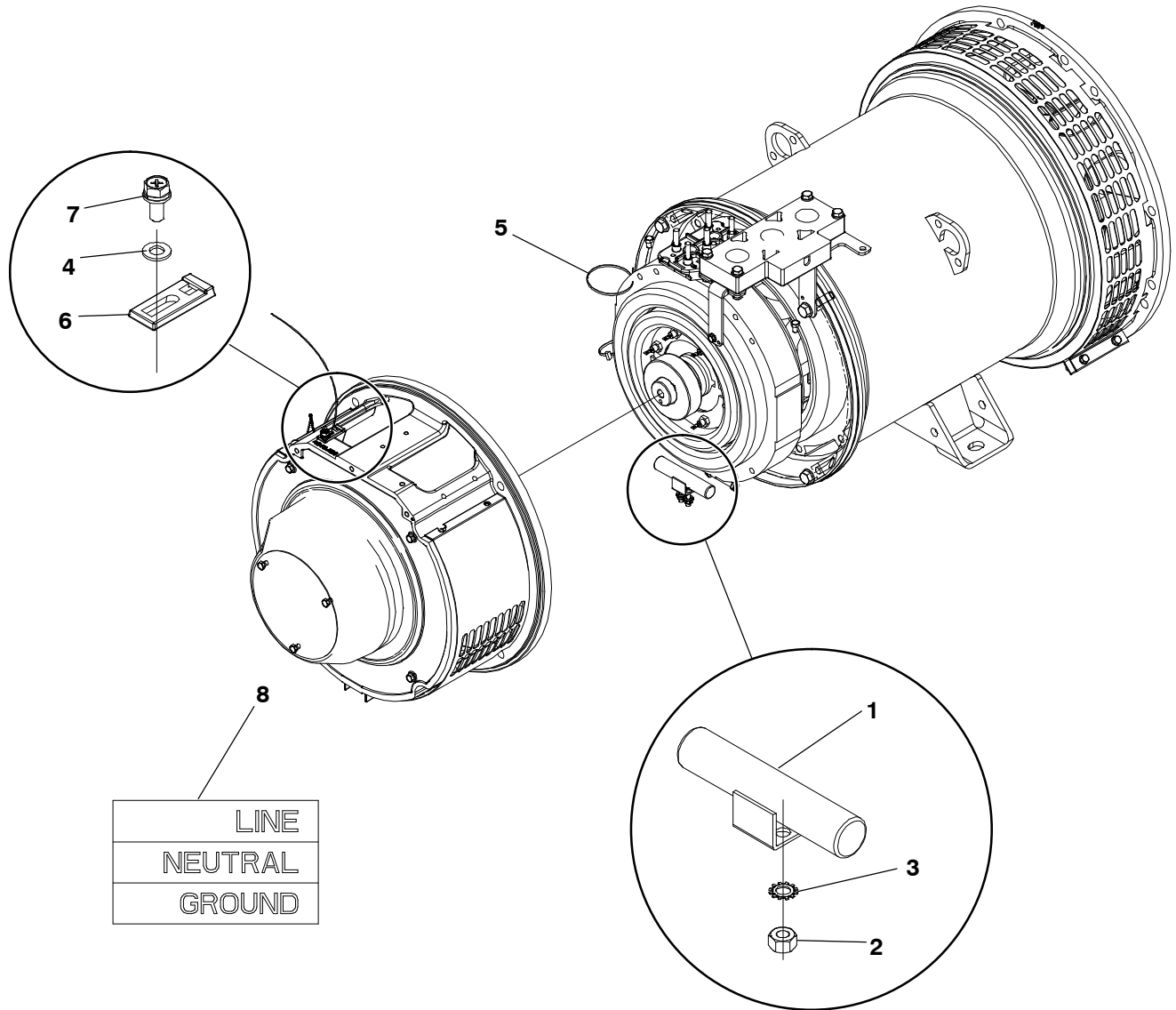
Item	Part No.	Description	Qty
	A045L831	Kit, Duct Inlet (Includes the Following Parts)	1
1	A048K748	Duct, Inlet	1
2	A045F854	Insulation, Cover	1
3	A043X494	Retainer, Insulation	3
4	A044L228	Washer, Lock	9
5	0815-0857-02	Screw, Pan Head	6
6	A046J596	Sheet, Instruction	1

**Generator Heater Kit  
 (120V, 100W)**



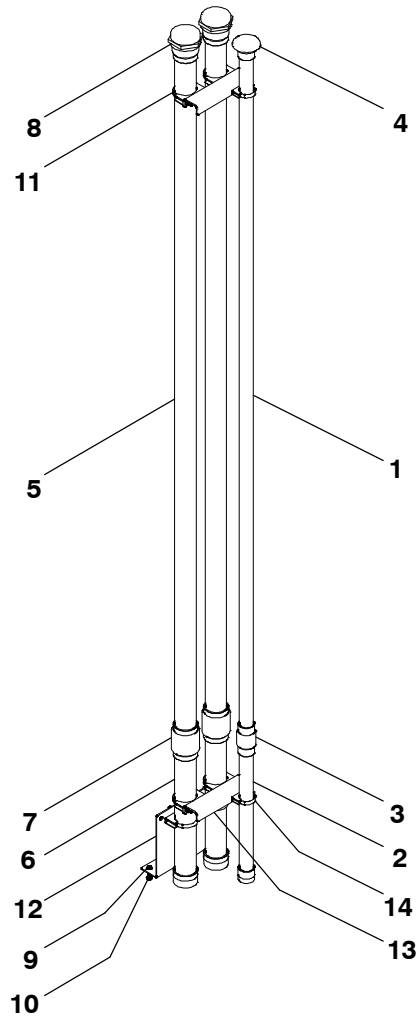
Item	Part No.	Description	Qty
	A044G635	Kit, Generator Heater (Includes the Following Parts)	1
1	A045Z790	Heater, Generator	1
2	0332-0942	Tie, Cable	2
3	0860-2006	Nut, Hex	2
4	0853-2005	Washer, Lock	2
5	A046G477	Label, Marking	1
6	A046M783	Sheet, Instruction	1

### Generator Heater Kit (120V, 30W)



Item	Part No.	Description	Qty
	A044G637	Kit, Heater, Generator (Includes the Following Parts)	1
1	A045Z792	Heater, Generator	1
2	0860-2006	Nut, Hex	2
3	0853-2005	Washer, Lock	2
4	0526-2060	Washer, Flat	1
5	0332-0942	Tie, Cable	2
6	A046F900	Base, Cable Tie	1
7	0815-1556-03	Screw, Hex Head	1
8	A046G477	Label, Marking	1
9	A046M783	Sheet, Instruction	1

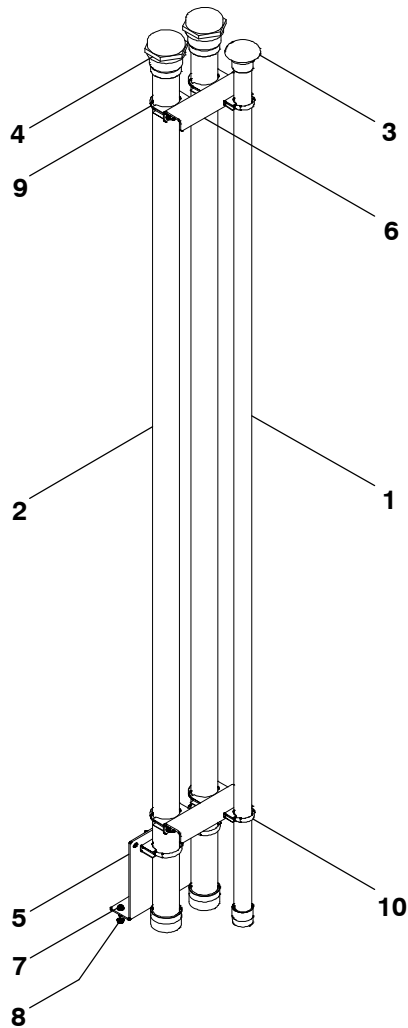
### Vent Extension Kit – 3 inch tubes



Item	Part No.	Description	Qty
	A048C539	Kit, Vent Extension (Includes the Following Parts)	1
1	A046K280	Tube, Vent	1
2	A046K278	Tube, Vent	1
3	0505-0203	Coupling, Pipe	1
4	0159-1371-03	Cap, Vent	1
5	A046K282	Tube, Vent	2
6	A046K281	Tube, Vent	2
7	0505-0327	Coupling, Pipe	2
8	A047K507	Vent, Fuel Tank	2
9	A029H218	Screw, Hex Flange Head	4
10	0870-2065-03	Nut, Hex Flange	4
11	A047C750	Clamp, U Bolt	6
12	A047A967	Bracket, Support	1
13	A047A977	Bracket, Support	2
14	A047C748	Clamp, U Bolt	2
15	A047V134	Sheet, Instruction	1

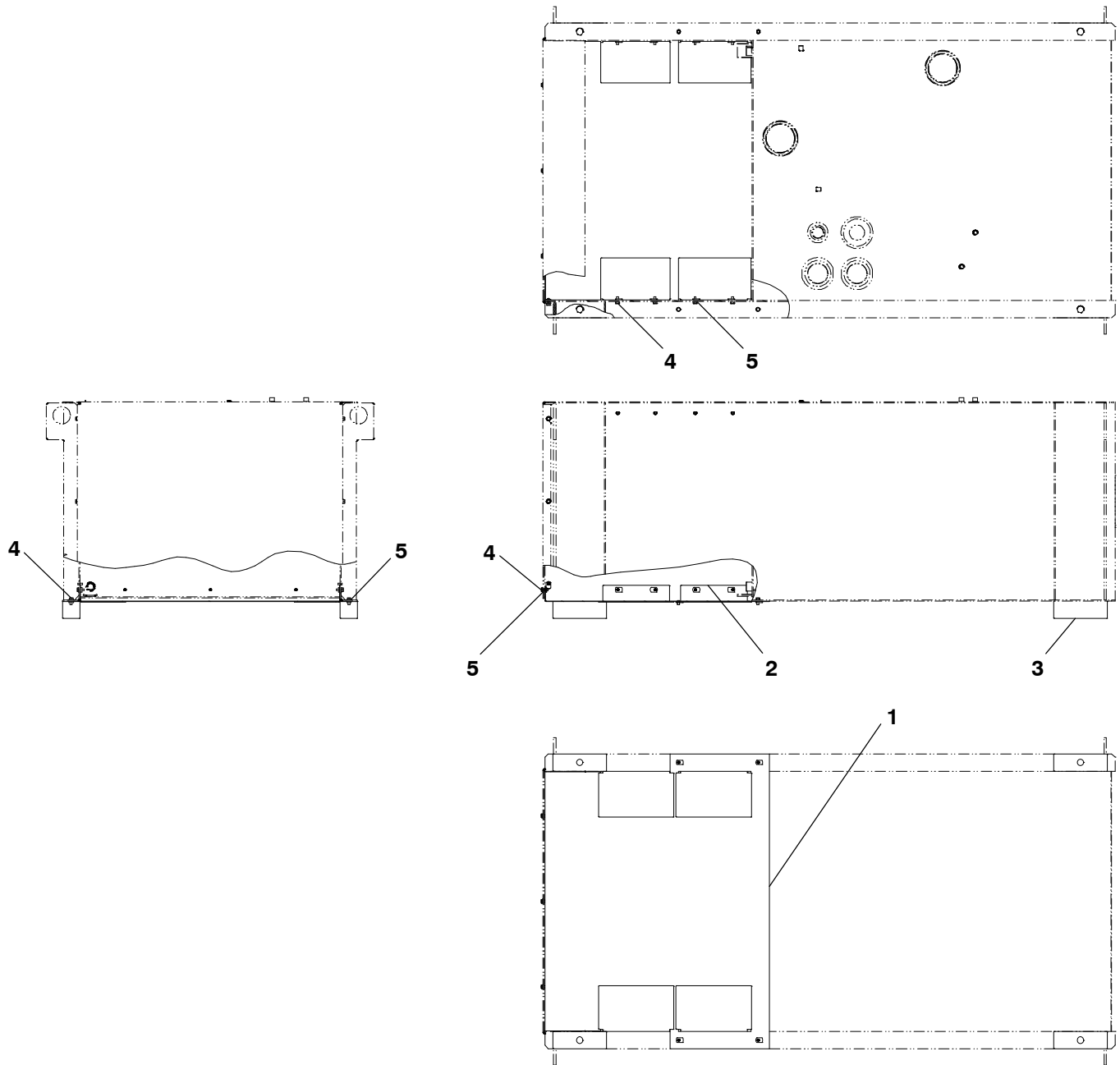
## Vent Extension Kit

### 4 inch tubes



Item	Part No.	Description	Qty
	A048C543	Kit, Vent Extension (Includes the Following Parts)	1
1	A046K280	Tube, Vent	1
2	A046U902	Tube, Vent	2
3	0159-1371-03	Cap, Vent	1
4	A047K509	Vent, Fuel Tank	2
5	A047A967	Bracket, Support	1
6	A047B242	Bracket, Support	2
7	A029H218	Screw, Hex Flange Head	4
8	0870-2065-03	Nut, Hex Flange	4
9	A047C752	Clamp, U Bolt	6
10	A047C748	Clamp, U Bolt	2
11	A047V134	Sheet, Instruction	1

## Mounting Foot Kit



Item	Part No.	Description	Qty
1	A047N811	Base, Barrier	1
2	A046C016	Cover, Plate	4
3	A046E208	Spacer, Foot	A/R
4	0800-2033	Screw, Hex Head	15
5	0526-2081	Washer, Flat	15
6	A047U849	Sheet, Instruction	1



### Pipe Package Exhaust Kit

Item	Part No.	Description	Qty
1	0155-2802	Kit, Pipe Package – Exhaust (C10 D6, C15 D6, C20 D6) – Includes the following 2 parts	
	0505-0203	Coupling, Pipe	2
	0155-2355-14	Tubing, Assy – Exh	1
2	0155-2707	Kit, Pipe Package – Exhaust (C25 D6, C30 D6, C35 D6, C40 D6, C50 D6, C60 D6) – Includes the following 2 parts	
	0505-0327	Coupling, Pipe	2
	0155-0777-01	Tubing, Assy – Exh	1
3	0155-2361	Kit, Pipe Package – Exhaust with Elbow (C25 D6, C30 D6, C35 D6, C40 D6, C50 D6, C60 D6) – Includes the following 3 parts	
	0505-0327	Coupling, Pipe	1
	0155-0777-01	Tubing, Assy – Exh	1
	0505-0453	Elbow – 90° Pipe	1

### Remote HMI Display Kit (HMI 220)

Item	Part No.	Description	Qty
	A041J582	Kit, Remote HMI 211 (Includes the Following Parts)	1
1	0300-6314-03	Display, Control	1
2	0323-2091	Connector, Plug	1
3	0323-2456	Connector, Plug	1
4	0323-2466	Contact, Socket	19
5	A041J096	Sheet, Instruction	1

### Remote HMI Display Kit (HMI 112) (Bargraph)

	A045J203	Kit, Remote HMI 112 (Includes the Following Parts)	1
1	0300-6054-02	Panel, Control Overlay	1
2	0300-6050-03	Display, Control	1
3	0323-2192-01	Connector, Plug	1
4	0332-3388	Tie, Cable	3
5	0332-1789	Splice, Window	6
6	0323-2192-04	Connector, Plug	1
7	A045H721	Sheet, Instruction	1

### Remote HMI Display Kit (HMI 211 RS)

	A046K103	Kit, Remote HMI 211 RS (Includes the Following Parts)	1
1	A043W114	Display, Control	1
2	0332-1794	Tie, Cable	3
3	0332-1789	Splice, Window	12
4	0338-4906	Harness, Wiring	2
5	A045H682	Sheet, Instruction	1

### Audible Alarm Kit

Item	Part No.	Description	Qty
	A043F059	Kit, 12V Alarm Module (Includes the Following Parts)	1
1	0300-3998-02	Module, Alarm	1
2	A042Y707	Screw, Pan Head	2
3	0332-3388	Tie, Cable	4
4	0226-4696	Lead, Electrical	1
5	A045K902	Sheet, Instruction	1

### Customer Relay Kit

Item	Part No.	Description	Qty
	A044Z053	Kit, Customer Relay (Includes the Following Parts)	
1	A042Z041	Harness, Relay	1
2	A042Y727	Screw, Pan Head	2
3	A044D694	Tie, Cable	2
4	A043B108	Harness, Generator Electrical	1
5	A043E872	Screw, Pan Head	1
6	A045H692	Sheet, Instruction	1

### Auxiliary Input/Output Signal Kit

Item	Part No.	Description	Qty
	A044Z055	Kit, Auxiliary Input/Output Signal (Includes the Following Parts)	
1	0327-1536	Card, Input Output	1
2	A044A588	Cover, Protection	1
3	A043A230	Harness, Circuit Card	1
4	A042Y707	Screw, Pan Head	4
5	A044D694	Tie, Cable	3
6	A043B108	Harness, Generator Electrical	1
7	A043E872	Screw, Pan Head	1
8	A042X751	Guard, Electrical	1
9	A042Y727	Screw, Pan Head	3
10	A045H691	Sheet, Instruction	1

### E-Stop Kit

Item	Part No.	Description	Qty
	A044Z051	Kit, E-Stop (Includes the Following Parts)	
1	A043E232	Harness, Generator Electrical	1
2	0308-1177	Bezel, Switch	1
3	0319-6766	Guard, Electrical	1
4	A045H700	Sheet, Instruction	1

### Remote Annunciator Kit

Item	Part No.	Description	Qty
1		Kit, Annunciator – Remote (Includes Items 2 through 5)	
	A045J199	Panel Mount	1
	A045J201	With Enclosure	1
2	0332-3388	Tie, Cable	3
3	0332-1789	Splice, Window	6
4	0338-4906	Harness, Wiring	1
5		Annunciator	
	0300-5929-01	Panel Mount	1
	0300-5929-02	With Enclosure	1

### PC-500 Kit

Item	Part No.	Description	Qty
	A046S274	Kit, PC-500 (Includes the Following Parts)	
1	A047K762	Harness, Generator Electrical	1
2	0332-1789	Splice, Window	3
3	A045H715	Sheet, Instruction	1

### Miscellaneous Accessory Kits

	A043X785	Auxiliary Contacts	
	A043X760	Installation, Shunt	
	A043J735	Enclosure Paint Touch Up Kit (Sandstone)	
	A046L319	Enclosure Paint Touch Up Kit (Green)	

### Maintenance Filter Kit – C10 D6, C15 D6, C20 D6 with Kubota Engine

Item	Part No.	Description	Qty
	A048V427	Kit, Filter (Includes the Following Parts)	
1	0149-1908-09	Separator, Fuel Water	1
2	A045Z959	Element, Air Filter	1
3	0122-0893	Filter, Oil	1

### Maintenance Filter Kit – C25 D6, C30 D6, C35 D6, C40 D6, C50 D6, C60 D6 with Cummins 4BT3.3 Engine and Heavy Duty Air Cleaner

Item	Part No.	Description	Qty
	A048V431	Kit, Filter (Includes the Following Parts)	
1	A048V707	Filter, Oil	1
2	A048V709	Filter, Fuel	1
3	0140-4186	Element, Air Filter	1

### Maintenance Filter Kit – C25 D6, C30 D6, C35 D6, C40 D6, C50 D6, C60 D6 with Cummins 4BT3.3 Engine and Normal Duty Air Cleaner

Item	Part No.	Description	Qty
	A048V433	Kit, Filter (Includes the Following Parts)	
1	A044A853	Filter, Air	1
2	A048V707	Filter, Oil	1
3	A048V709	Filter, Fuel	1

### Permanant Magnet Repair Kit

Item	Part No.	Description	Qty
	A044G815	Kit, Permanent Magnet Repair (Includes the Following Parts)	
1	450-14360	Cover, Generator	1
2	054-20505	Pin, Dowel	1
3	450-15809	Pillar, Threaded	4
4	A050N857	Stator, Permanent Magnet	1
5	A045Z125	Cover, Generator End	1
6	016-40614	Screw, Hex Head	4
7	015-41817	Bolt, Hex Head	1
8	028-31509	Washer, Spring	1
9	028-31507	Washer, Spring	4
10	016-40616	Screw, Hex Head	4
11	029-61106	Washer, Flat	4
12	052-45013	Tie, Cable	3
13	052-45011	Tie, Cable	1

## Topical Index

### A

Accessories and Kits, **254**  
Alarm, High Fuel, **190**  
Alternator, **55 , 99**  
Alternator and Pulley, **52 , 97**  
Apparatus, Idle, **46 , 91**

### B

Battery, **257**  
Box, Control – Aux-101, **234**  
Box, Control – Aux-101 and Relay, **235**  
Box, Control – Components, **239**  
Box, Control – Relay, **233**  
Box, Spill, **182**  
Box, Terminal, **166 , 169 , 170**  
Breaker, Circuit – 2 & 3 Pole, J Frame, **247**  
Breaker, Circuit – 2 Pole, H Frame, **243**  
Breaker, Circuit – 3 Pole, H Frame, **245**

### C

Cap, Pressure, **139 , 141 , 143**  
Case, Gear, **31 , 77**  
Case, Main Bearing, **39 , 85**  
Charger, Battery, **249**  
Circuit Breaker Lock Out, **259**  
Cleaner, Air, **120 , 121 , 122**  
Control, Genset, **236**  
Cooling System, **139 , 141 , 143**  
Cover, Head, **32 , 78**  
Crankcase, **26 , 72**

### D

Door, Circuit Breaker, **248**  
Drain, Oil, **119**  
Duct, Inlet, **260 , 261**

### E

EBS, **154**  
Element, Air Cleaner, **121 , 122**  
Enclosure – C10 D6, C15 D6 – QS, 1st Stg (Green, Aluminum), **203**  
Enclosure – C10 D6, C15 D6 – QS, 1st Stg (Sandstone, Aluminum), **197**  
Enclosure – C10 D6, C15 D6, C20 D6 (Green, Aluminum), **208**  
Enclosure – C10 D6, C15 D6, C20 D6 – Sound Att, QS, 1st Stg (Sandstone, Aluminum), **193**  
Enclosure – C20 D6 – QS, 1st Stg (Green, Aluminum) , **205**  
Enclosure – C20 D6 – QS, 1st Stg (Sandstone, Aluminum), **199**  
Enclosure – C20 D6, C25, D6, C30 D6, C35 D6, C40 D6, C50 D6, C60 D6 – Sound Att, QS, 1st Stg (Sandstone, Aluminum), **201**  
Enclosure – C25 D6, C30 D6, C35 D6, C40 D6, C50 D6, C60 D6 (Green, Aluminum), **211**  
Enclosure – C25 D6, C30 D6, C35 D6, C40 D6, C50 D6, C60 D6 – QS, 1st Stg (Green, Aluminum), **207**  
Enclosure – C25 D6, C30 D6, C35 D6, C40 D6, C50 D6, C60 D6 – QS, 1st Stg (Sandstone, Aluminum), **195**  
Enclosure Cover Components, **215 , 216**  
Engine, **15 , 17 , 19 , 21 , 23 , 25**  
Exhaust Adapter – C10 D6, C15 D6, C20 D6, **222**  
Exhaust Connection – C25 D6, C30 D6, C35 D6, C40 D6, C50 D6, C60 D6, **223**

### F

Fan, Cooling, **63 , 107**  
Filter, Air, **120 , 121 , 122**  
Filter, Oil, **33 , 79**  
Flange, Oil Filler, **36 , 82**

### G

Gasket, Exhaust Manifold, **111**  
Gasket, Inlet Manifold, **110**  
Gauge, Fuel – Electrical, **184**

## Index (Continued)

Gauge, Fuel – Mechanical, **183**  
Generator – Complete, **151**  
Generator – Service Parts (CA115), **159**  
Generator – Service Parts (CA125), **161**  
Generator – Service Parts (CA135), **163**  
Generator Fasteners, **155 , 156**  
Governor, **48 , 93**  
Guards, Radiator – Enclosed Sets, **145 , 146 , 147**  
Guards, Radiator – Open Sets, **149 , 150**

### H

Harness, Generator Electrical (Service Parts), **240**  
Head, Cylinder, **28 , 74**  
Heater, Battery, **258**  
Heater, Coolant, **132 , 135**  
Heater, Coolant – Canada, **127 , 131 , 137**  
Heater, Coolant – USA, **125 , 129**  
Heater, Generator, **164 , 165**  
Hose, Coolant, **139 , 141 , 143**

### K

Kit, Audible Alarm, **268**  
Kit, Auxiliary Input/Output Signal, **268**  
Kit, Customer Relay, **268**  
Kit, E–Stop, **269**  
Kit, Filter, **270**  
Kit, Generator Heater (120V, 100W), **262**  
Kit, Generator Heater (120V, 30W), **263**  
Kit, Lower Gasket, **71 , 115**  
Kit, Mounting Foot, **266**  
Kit, Pipe Package Exhaust, **267**  
Kit, PMG Repair, **270**  
Kit, Remote Annunciator, **269**  
Kit, Upper Gasket, **69 , 113**  
Kit, Vent Extension, **264**  
Kit, Vent Extension – C15 D6, C20 D6, **265**  
Kits, Miscellaneous Accessory, **269**

### L

Labels, **9 , 11**  
Lead Package – CA115, **251**  
Lead Package – CA125, **252**  
Lead Package – CA135, **253**  
Line, Flexible Fuel, **117**  
Lines, Fuel Tank, **177 , 178**

### M

Manifold, Exhaust, **67 , 111**  
Manifold, Inlet, **66 , 110**  
Muffler, **255**  
Muffler – Unhoused Sets – C10 D6, C15 D6, C20 D6,  
**224**

### N

Neck, Filler, **217**  
Nozzle Holder and Glow Plug, **50 , 95**

### P

Paint and Thread Sealant, **12**  
Pan, Oil, **27 , 73**  
Panel, Display, **236**  
Piston and Crankshaft, **43 , 89**  
Plate, Speed Control, **49 , 94**  
Plug, **60 , 104**  
Pump, Fuel, **118**  
Pump, Fuel – Mechanical, **51 , 96**  
Pump, Injection, **47 , 92**  
Pump, Oil, **35 , 81**  
Pump, Water, **62 , 106**

### R

Radiator, **139 , 141 , 143**  
Remote HMI Display Kit (HMI 112) (Bargraph), **267**  
Remote HMI Display Kit (HMI 211), **267**

## Index (Continued)

Roof Components, **212 , 213**

Roof, Panel, **171**

### S

Sensor, Low Coolant, **144**

Shaft, Camshaft and Idle Gear, **41 , 86**

Shaft, Fuel Camshaft and Governor, **45 , 90**

Shield, Heat, **116**

Shutdown, Low Fuel, **186**

Silencer – C10 D6, C15 D6, **227**

Silencer – C20 D6, **229**

Silencer – C25 D6, C30 D6, C35 D6, C40 D6, C50 D6,  
C60 D6, **231 , 232**

Skid – Used with CA115 Alternator, **172 , 173**

Skid – Used with CA125 Alternator, **174**

Skid – Used with CA135 Alternator, **175**

Spacer, Battery Tray, **179**

Stand Alone Battery Charger (15A – 12V), **256**

Starter, **56 , 100**

Starter – Components, **59 , 103**

Stick, Dip, **34 , 80**

Switch, Fuel – Rupture Basin, **189**

Switch, High Fuel, **185**

### T

Tank, Coolant, **139 , 141 , 143**

Tank, Fuel, **176**

Transformer, Current, **250**

Tray, Battery, **180**

Tray, Battery – Cold Weather, **181**

Tube, Fuel Tank, **187**

### V

Valve, **188**

Valve and Rocker Arm, **65 , 109**

Vent – IBC, **220 , 221**

Vent, Emergency, **219**

Vent, Normal, **218**

### W

Water Flange and Thermostat, **61 , 105**

This page is Intentionally blank.



## Numerical Index

<u>Part No.</u>	<u>Page</u>	<u>Part No.</u>	<u>Page</u>	<u>Part No.</u>	<u>Page</u>	<u>Part No.</u>	<u>Page</u>
001-102355,	<b>163</b>	0110-3952,	<b>28</b>	0155-2063-09,	<b>255</b>	0181-9043,	<b>59 , 103</b>
001-102572,	<b>163</b>	0113-0360,	<b>71</b>	0155-2064-02,	<b>255</b>	0181-9148,	<b>99</b>
001-102581,	<b>163</b>	0113-0361,	<b>71 , 115</b>	0155-2064-09,	<b>255</b>	0181-9198,	<b>59 , 103</b>
001-102609,	<b>163</b>	0115-0509,	<b>65 , 109</b>	0155-2065-02,	<b>255</b>	0181-9199,	<b>59 , 103</b>
001-102711,	<b>163</b>	0115-0567,	<b>78</b>	0155-2065-09,	<b>255</b>	0181-9205,	<b>49 , 94</b>
001-102712,	<b>159</b>	0120-1355,	<b>35 , 71 , 81 , 115</b>	0155-2080,	<b>224 , 227 , 229</b>	0181-9238,	<b>32</b>
001-102713,	<b>159</b>	0122-0893,	<b>270</b>	0155-2175,	<b>231 , 232</b>	0181-9241,	<b>32 , 78</b>
001-102714,	<b>159</b>	0123-2262,	<b>34 , 80</b>	0155-2340-07,	<b>255</b>	0181-9257,	<b>55 , 99</b>
001-102715,	<b>159</b>	0123-2429,	<b>36 , 82</b>	0155-2340-09,	<b>255</b>	0185-2094,	<b>26 , 72</b>
001-102716,	<b>159</b>	0130-3721-01,	<b>139 , 141 , 143</b>	0155-2341-07,	<b>255</b>	0185-2105,	<b>31 , 49 , 77 , 94</b>
001-102736,	<b>163</b>	0130-6329,	<b>61 , 105</b>	0155-2341-09,	<b>255</b>	0185-2153,	<b>31 , 77</b>
001-102754,	<b>163</b>	0130-6334,	<b>61 , 69 , 105 , 113</b>	0155-2342-07,	<b>255</b>	0185-2188,	<b>28 , 74</b>
001-102755,	<b>163</b>	0130-6347,	<b>62 , 106</b>	0155-2342-09,	<b>255</b>	0185-2233,	<b>26 , 72</b>
003-25158,	<b>159</b>	0130-6364,	<b>61 , 69 , 105 , 113</b>	0155-2355-14,	<b>267</b>	0185-2234,	<b>26 , 72</b>
005-04074,	<b>154</b>	0132-0444,	<b>62 , 106</b>	0155-2361,	<b>267</b>	0185-2284,	<b>49 , 71 , 94 , 115</b>
005-04109,	<b>154</b>	0132-0447,	<b>62 , 71 , 106</b>	0155-2565,	<b>223 , 231 , 232</b>	0185-2336,	<b>47 , 92</b>
0091-0002,	<b>243 , 245 , 247</b>	0132-0526,	<b>62 , 106</b>	0155-2707,	<b>267</b>	0185-2338,	<b>26 , 71 , 72 , 115</b>
0098-3171,	<b>9</b>	0140-4186,	<b>12 , 122 , 270</b>	0155-2802,	<b>267</b>	0185-2345,	<b>50 , 95</b>
0098-3172,	<b>9</b>	0147-0860,	<b>17 , 19</b>	0155-4768-02,	<b>224</b>	0185-2350,	<b>26 , 72</b>
0098-4798-01,	<b>9</b>	0147-0902,	<b>92</b>	0155-4958,	<b>224</b>	0185-2352,	<b>35 , 81</b>
0098-5822,	<b>9</b>	0149-1908-09,	<b>17 , 19 , 270</b>	0155_3116,	<b>223</b>	0185-2366,	<b>56 , 100</b>
0098-5842,	<b>9</b>	0149-2438,	<b>17 , 19</b>	0159-0411,	<b>71</b>	0185-2367,	<b>61 , 62 , 105 , 106</b>
0098-6030,	<b>125 , 129 , 135</b>	0149-2914,	<b>71 , 115</b>	0159-1371-03,	<b>218 , 220 , 221 , 264 , 265</b>	0185-2380,	<b>31 , 77</b>
0098-7047,	<b>9</b>	015-41816,	<b>154</b>	016-31144,	<b>161</b>	0185-2381,	<b>56 , 61 , 62 , 65 , 100 , 105 , 106 , 109</b>
0098-7724,	<b>9</b>	015-41817,	<b>270</b>	016-40612,	<b>154</b>	0185-2385,	<b>50 , 95</b>
0098-7863,	<b>9</b>	0150-0740,	<b>45 , 90</b>	016-40614,	<b>270</b>	0185-2388,	<b>46 , 51 , 91 , 96</b>
0098-8331,	<b>68 , 112</b>	0150-2805,	<b>48 , 93</b>	016-40616,	<b>270</b>	0185-2389,	<b>36 , 82</b>
0101-0834,	<b>39 , 71 , 85 , 115</b>	0150-2836,	<b>48 , 93</b>	016-40620,	<b>154</b>	0185-2390,	<b>31 , 49 , 77 , 94</b>
0101-0835,	<b>39 , 71 , 85 , 115</b>	0150-2840,	<b>49 , 94</b>	016-40917,	<b>161 , 163</b>	0185-2394,	<b>35 , 81</b>
0101-0837,	<b>36 , 71 , 82 , 115</b>	0150-2841,	<b>49 , 94</b>	0179-2883-03,	<b>25</b>	0185-2399,	<b>74</b>
0102-1448-02,	<b>17 , 21 , 119</b>	0150-2842,	<b>48 , 93</b>	0181-0512,	<b>78</b>	0185-2401,	<b>61 , 105</b>
0104-2034,	<b>89</b>	0150-2853,	<b>46</b>	0181-2380,	<b>52 , 97</b>	0185-2402,	<b>66</b>
0104-2037,	<b>43 , 89</b>	0150-2918,	<b>17 , 21</b>	0181-9008,	<b>97</b>	0185-2404,	<b>39 , 62 , 85 , 106</b>
0104-2038,	<b>43 , 89</b>	0154-2918,	<b>222</b>	0181-9013,	<b>31 , 49 , 52 , 77 , 94 , 97</b>	0185-2412,	<b>28 , 74</b>
0104-2039,	<b>39 , 85</b>	0154-3188,	<b>66 , 69</b>	0181-9025,	<b>59 , 103</b>	0185-2414,	<b>28 , 74</b>
0104-2040,	<b>39 , 85</b>	0154-3189,	<b>67 , 69</b>	0181-9026,	<b>59 , 103</b>	0185-2561,	<b>93</b>
0104-2041,	<b>43 , 89</b>	0154-3300,	<b>67</b>	0181-9027,	<b>59 , 103</b>	0185-2563,	<b>28</b>
0104-2042,	<b>43 , 89</b>	0155-0777-01,	<b>267</b>	0181-9030,	<b>59 , 103</b>	0185-2565,	<b>61 , 105</b>
0104-2043,	<b>43 , 89</b>	0155-2063-02,	<b>255</b>	0181-9031,	<b>59 , 103</b>	0185-2573,	<b>86</b>
0104-2044,	<b>43 , 89</b>					0185-2961,	<b>55 , 99</b>
0110-3948,	<b>65 , 109</b>						

## Numerical Index (Continued)

<u>Part No.</u>	<u>Page</u>	<u>Part No.</u>	<u>Page</u>	<u>Part No.</u>	<u>Page</u>	<u>Part No.</u>	<u>Page</u>
0185-2976, 27, 73		0185-5868, 60, 69, 104, 113		0185-6358, 59, 103		029-61109, 161, 163	
0185-3009, 45, 90		0185-5877, 31, 77		0185-6481, 31, 77		030-02030, 161, 163	
0185-3055, 32, 78		0185-5878, 31, 77		0185-6638, 99		0300-3998-02, 268	
0185-3985, 39, 85		0185-5879, 31, 77		0185-6653, 59, 103		0300-5878-01, 256	
0185-5140, 50, 95		0185-5899, 39, 85		0185-6655, 59, 103		0300-5878-02, 256	
0185-5147, 48		0185-5901, 41, 86		0185-6660, 59, 103		0300-5878-03, 256	
0185-5337, 50, 69, 95, 113		0185-5905, 41, 52, 86, 97		0185-6711, 31, 77		0300-5878-04, 256	
0185-5407, 32, 78		0185-5906, 41, 86		0185-6722, 32, 78		0300-5878-05, 256	
0185-5495, 27, 71, 73, 115		0185-5924, 41, 43, 86, 89		0185-6749, 109		0300-5878-06, 256	
0185-5529, 49, 94		0185-5925, 43, 89		0185-6756, 92		0300-5929-01, 269	
0185-5551, 94		0185-5927, 43, 89		0185-6757, 92		0300-5929-02, 269	
0185-5552, 49		0185-5928, 43, 89		0185-6758, 92		0300-6014, 236	
0185-5570, 97		0185-5929, 43, 71, 89, 115		0185-6761, 71, 115		0300-6050-02, 236	
0185-5612, 50, 95		0185-5930, 43, 89		0185-6773, 45, 90		0300-6050-03, 267	
0185-5615, 50, 95		0185-5949, 45, 90		0185-6811, 55, 99		0300-6054-02, 267	
0185-5621, 95		0185-5962, 45, 90		0185-6819, 55, 99		0300-6314-03, 267	
0185-5727, 46, 91		0185-5963, 45, 90		0185-6831, 55		0302-2084, 31, 71, 77, 115	
0185-5768, 55, 99		0185-5978, 47		0185-6987, 47		0306-5316-01, 17, 21	
0185-5769, 55, 99		0185-5979, 47, 92		0185-6988, 47		0307-2968-01, 240	
0185-5771, 55, 99		0185-5985, 50, 69, 95, 113		0185-6989, 47		0307-2968-03, 240	
0185-5774, 55, 99		0185-5993, 51, 96		0185-6991, 47, 92		0308-1177, 236, 269	
0185-5775, 55, 99		0185-6017, 65, 109		0185-7006, 50		0319-6766, 236, 269	
0185-5776, 55, 99		0185-6018, 65, 69, 109, 113		0185-7031, 35, 81		0321-0175, 240	
0185-5783, 55, 99		0185-6020, 109		0185-7134, 47, 92		0321-0372-05, 240	
0185-5784, 55, 99		0185-6025, 65, 109		0185-7166, 46, 49, 91, 94		0321-0372-07, 240	
0185-5785, 55, 99		0185-6026, 65, 109		0185-7298, 61, 105		0323-2091, 267	
0185-5786, 55, 99		0185-6028, 65, 109		0185-9097, 55, 99		0323-2192-01, 267	
0185-5787, 55, 99		0185-6030, 65, 109		0185-9262, 55, 99		0323-2192-04, 267	
0185-5788, 55, 99		0185-6033, 47, 61, 67, 92, 105, 111		0185-9263, 55, 99		0323-2456, 267	
0185-5789, 55, 99		0185-6039, 60, 104		0193-0529-01, 15, 21, 25		0323-2466, 267	
0185-5790, 55, 99		0185-6040, 26, 72		0226-4696, 268		0327-1507, 239	
0185-5840, 26, 72		0185-6046, 27, 73		0232-4229, 39, 85		0327-1536, 234, 235, 268	
0185-5841, 26, 72		0185-6048, 28, 74		0232-4230, 46, 91		0331-0532, 190	
0185-5842, 26, 72		0185-6095, 95		0232-4231, 52		0332-0941, 117, 177, 178, 184	
0185-5843, 26, 31, 72, 77		0185-6103, 32, 78		024-70618, 159, 163		0332-0942, 17, 19, 23, 164, 165, 262, 263	
0185-5844, 26, 72		0185-6121, 26, 72		027-41209, 161, 163		0332-1789, 267, 269	
0185-5846, 26, 72		0185-6188, 55, 99		028-31506, 154			
0185-5847, 26, 72		0185-6190, 55		028-31507, 270			
0185-5861, 28, 74		0185-6191, 55, 99		028-31509, 154, 270			
0185-5865, 28, 74				029-61106, 270			
0185-5867, 60, 104							

## Numerical Index (Continued)

<u>Part No.</u>	<u>Page</u>	<u>Part No.</u>	<u>Page</u>	<u>Part No.</u>	<u>Page</u>	<u>Part No.</u>	<u>Page</u>
0332-1794, 117, 125, 127, 129, 131, 132, 135, 137, 180, 181, 193, 201, 208, 211, 239, 249, 267		117		199, 203, 205, 207		0800-0088, 15, 17, 19, 21, 121, 177	
0332-2634, 23, 25, 131, 132		0503-1660-04, 17, 21		0517-0373, 26		0800-2033, 266	
0332-2921, 15, 17, 19, 21, 121, 177		0503-1660-08, 119		0517-0386, 34, 80		0800-2057, 222	
0332-3084, 243, 245, 247		0503-1870-05, 120, 122		0517-0441, 61, 105		0800-2058, 224, 227, 229	
0332-3196, 23, 25		0503-1872-03, 143		0518-0391, 12		0800-2085, 23, 25, 116, 155, 156	
0332-3388, 267, 268, 269		0503-1872-04, 143		0518-0548-08, 139, 147, 150		0800-2086, 122	
0333-0543-02, 125, 127, 129, 137		0503-2551, 32, 78		0518-0601, 12		0800-2089, 25	
0333-0544, 125, 127, 129, 137		0503-2552, 61, 105		0518-0712, 45, 90		0800-3017-36, 23	
0333-0588-01, 127, 131, 137		0503-2553, 61, 105		0518-0713, 45, 90		0800-3017-73, 177, 178	
0337-3739, 50		0503-2767-04, 17, 19		0518-0732, 43, 89		0800-3025, 17, 19, 21	
0338-4238-02, 23		0503-2767-06, 15, 19		052-45003, 154		0800-3030, 17, 21	
0338-4906, 267, 269		0503-2767-09, 17, 19		052-45011, 270		0800-3032, 15, 21	
0403-7297, 52, 97		0503-2885-01, 118		052-45013, 270		0800-3033, 17, 21	
0405-6460-01, 197, 199, 203, 205		0504-0176, 17, 21, 119		0520-2655, 62, 106		0800-6306, 48, 93	
0405-6460-02, 195, 197, 199, 201, 203, 205, 207, 211		0505-0019, 25		0524-0668, 12		0800-6307, 49, 94	
0405-6460-04, 195, 207		0505-0172, 182, 187, 217		0526-0008, 166		0800-6327, 65, 109	
0405-6460-10, 195, 207		0505-0203, 264, 267		0526-0018, 180		0800-6328, 61, 105	
0406-1234, 259		0505-0327, 264, 267		0526-0063, 17, 21		0800-6329, 39, 85	
0416-1051, 257		0505-0394, 185		0526-0145, 15, 21		0800-6330, 32, 78	
050-11035, 159, 161, 163		0505-0453, 267		0526-0219, 177		0800-6331, 61, 105	
0501-0883, 50		0505-2256, 31, 77		0526-0329, 17, 21, 119		0800-6332, 61, 105	
0501-0886, 50, 95		0506-0027, 49, 94		0526-0399-61, 172, 173, 174, 175		0800-6333, 47, 92	
0502-0942, 125, 127, 129, 137		0507-0006, 43, 89		0526-0399-62, 23		0800-6334, 31, 48, 77, 93	
0502-0943, 131, 135		0508-0228, 181		0526-0399-64, 15, 21		0800-6335, 109	
0502-0981, 15, 21		0508-1089-02, 125, 127, 129, 137		0526-0399-66, 177, 178		0800-6340, 27, 73	
0502-1400-02, 25		0509-0306, 125, 127, 129, 137		0526-0433, 15, 17, 19, 21		0800-6345, 52	
0503-0131, 17, 21		0509-0409, 71, 115		0526-2060, 165, 263		0800-6414, 31, 77	
0503-0183, 141		0509-0411, 27, 73		0526-2106, 15, 21		0800-6513, 86	
0503-0685, 139, 143		0509-0414, 32, 69, 78, 113		0526-2120, 17, 21, 23, 25, 122		0800-6524-02, 166, 169, 170, 243, 245, 247	
0503-1142, 121		0509-0415, 31, 77		0526-2132, 23		0812-0094, 243, 245, 247	
0503-1144, 121		0509-0418, 46, 71, 91, 115		054-20505, 270		0815-0781, 139, 141, 143, 172, 173, 174, 175, 181	
0503-1445-06, 15, 17, 19,		0509-0428, 71, 115		054-20508, 154		0815-0792-05, 215, 216	
		051-21784, 159, 161, 163		0541-1168, 43, 89		0815-0857-02, 139, 141, 143, 145, 146, 147, 149, 150, 166, 169, 193, 201, 208, 211, 227, 229, 231, 243, 245, 247, 248, 260, 261	
		051-21792, 159		0541-1708, 43			
		0510-0215, 62, 106		0541-1709, 43			
		0511-0258, 52		0541-1710, 69			
		0512-0293, 52		0725-1027, 17, 21			
		0515-0320, 43, 89		073-08063, 159			
		0517-0131-03, 195, 197,					

## Numerical Index (Continued)

<u>Part No.</u>	<u>Page</u>	<u>Part No.</u>	<u>Page</u>	<u>Part No.</u>	<u>Page</u>	<u>Part No.</u>	<u>Page</u>
0815-0857-03,	139 , 141 ,	0870-2055,	15 , 21 , 122	450-15617,	161	A041T051,	253
	143 , 170 , 181	0870-2065-02,	172 , 173 ,	450-15809,	270	A041T438,	252
0815-0857-04,	180		174 , 175 , 243 ,	450-16006,	154	A041T440,	253
0815-0858-02,	139 , 141 ,		247	450-16009,	154	A041T446,	251 , 252 , 253
	143	0870-2065-03,	264 , 265	450-16391,	159	A042M913,	31 , 77
0815-0941-03,	125 , 127 ,	0878-0032,	9	450-16430,	159 , 161 , 163	A042M915,	52 , 97
	129 , 131 , 135 , 137	0878-0034-02,	166 , 169	A003L222,	95	A042R110,	17 , 21 , 23
0815-1556-03,	165 , 263	130-1413,	159	A026C516,	118	A042R604,	161
0815-1598,	31	130-1414,	159	A026D557,	89	A042R942,	161
0815-1599,	31 , 77	130-21017,	159	A026D562,	89	A042S971,	23 , 25
0815-1798,	77	130-21296,	159	A026D566,	90	A042T816,	159
0821-2045,	15 , 17 , 21	130-21388,	159	A026D568,	95	A042T818,	159
0821-6002-02,	172 , 173 ,	190-1040,	159	A026D585,	97	A042T944,	161
	174 , 175	190-1041,	159	A026D586,	97	A042V042,	125 , 129
0821-6002-03,	118	191-10042,	159	A026D587,	111	A042X733,	166 , 169 , 170 ,
0821-6002-08,	208	191-10057,	159	A026D597,	111 , 113		239
0821-6003-01,	23 , 25 , 121 ,	191-10059,	159	A026D601,	111 , 113	A042X738,	243
	122 , 195 , 197 , 199 ,	191-10078,	159	A026D603,	113	A042X740,	245 , 247
	203 , 205 , 207 , 227 ,	191-10081,	159	A026E389,	48 , 62 , 93 , 106	A042X751,	234 , 235 , 268
	229 , 231 , 232	191-10143,	159	A028U604,	25	A042X753,	236
0821-6004-01,	131 , 132	191-10197,	159	A028X493,	15 , 21 , 25	A042X755,	171
0850-2008,	23 , 222 , 224 ,	191-10252,	159	A028X735,	117 , 118	A042X758,	166 , 169 , 170 ,
	227 , 229	191-1063,	159	A028X740,	125 , 127 , 129 ,		248
0850-2010,	122	191-1064,	159		131 , 132 , 135 , 137	A042X766,	227 , 229
0850-2012,	17 , 19 , 21	191-1072,	159	A028X743,	125 , 127 , 129	A042Y252,	12
0850-2083,	48 , 93	230-1000,	161	A028X752,	139 , 141 , 143	A042Y689,	249
0853-0040-54,	193 , 201 ,	230-1001,	161	A028X755,	139 , 141 , 143 ,	A042Y707,	234 , 235 , 239 ,
	208 , 211	230-10201,	161		145 , 146 , 149		268
0853-2005,	164 , 165 , 262 ,	230-10397,	161	A028X758,	141 , 143	A042Y727,	170 , 233 , 234 ,
	263	230-10624,	163	A029H218,	264 , 265		235 , 239 , 243 , 245 ,
0853-2008,	195 , 197 , 199 ,	230-1208,	161	A029Z267,	118		247 , 260 , 268
	203 , 205 , 207	230-1209,	161	A030R616,	119	A042Z041,	233 , 235 , 268
0856-0010,	15 , 21 , 172 ,	330-10147,	161 , 163	A034E526,	17 , 21	A042Z462,	240
	173 , 174 , 175	45-0427,	159 , 161 , 163	A034F794,	117	A042Z472,	240
0856-0013,	17 , 19 , 21 , 23	45-0866,	159	A039Z973,	161 , 163	A043A230,	234 , 235 , 268
0860-2006,	164 , 165 , 262 ,	45-0867,	161 , 163	A040P239,	41	A043B108,	233 , 234 , 235 ,
	263	450-1043,	154	A041E329,	143		268
0860-2008,	23	450-1048,	154	A041J096,	267	A043B984,	249
0860-2032,	49 , 94	450-14360,	270	A041J582,	267	A043C438,	239
0860-2136,	67 , 111	450-14875,	161	A041K566,	166 , 169 , 170	A043C496,	170
0862-0026-57,	172 , 173 ,	450-15125,	161 , 163	A041T049,	252	A043E232,	236 , 269
	174 , 175					A043E623,	250
0862-0026-58,	177 , 178					A043E627,	250
0866-0014,	25					A043E633,	250
0870-0506,	139 , 141 , 143 ,						
	180						

## Numerical Index (Continued)

<u>Part No.</u>	<u>Page</u>	<u>Part No.</u>	<u>Page</u>	<u>Part No.</u>	<u>Page</u>	<u>Part No.</u>	<u>Page</u>
A043E860, 195		A043Y321, 172 , 173 , 174 , 175		A044G477, 180 , 181		A044Z190, 243	
A043E872, 233 , 234 , 235 , 236 , 268		A043Y905, 145 , 146		A044G633, 154		A044Z191, 243	
A043F059, 268		A043Z322, 159		A044G635, 262		A044Z192, 243	
A043F517, 180		A043Z832, 231 , 232		A044G637, 263		A044Z193, 243	
A043F730, 201		A043Z834, 231 , 232		A044G815, 161 , 270		A044Z194, 243	
A043G308, 212		A044A588, 268		A044G874, 159		A044Z195, 243	
A043G318, 216		A044A853, 120 , 270		A044G876, 161		A044Z196, 243	
A043G320, 215 , 216		A044B007, 201		A044G878, 163		A044Z197, 243	
A043G322, 216		A044B014, 201		A044H212, 231		A044Z198, 243	
A043G324, 193 , 201 , 208 , 211		A044B039, 260		A044H214, 231 , 232		A044Z199, 243	
A043H269, 197 , 199		A044B045, 156		A044H451, 169		A044Z200, 243	
A043H274, 197 , 199		A044B086, 163		A044H456, 169		A044Z201, 243	
A043H278, 197 , 199		A044B140, 143		A044H459, 169		A044Z203, 243	
A043H284, 197 , 199		A044B288, 213		A044H599, 243 , 245 , 247		A044Z204, 245	
A043J735, 12 , 269		A044B294, 215		A044J187, 25		A044Z205, 245	
A043J739, 212 , 213		A044B307, 193		A044J447, 239 , 240		A044Z206, 245	
A043L271, 193 , 201 , 208 , 211		A044B638, 143		A044J810, 227 , 229		A044Z207, 245	
A043L274, 193 , 201 , 208 , 211		A044B890, 163		A044J812, 229		A044Z208, 245	
A043M499, 9		A044B911, 143		A044L221, 141 , 143		A044Z208, 245	
A043M506, 212		A044B920, 143		A044L223, 141 , 143		A044Z209, 245	
A043M516, 195 , 197 , 199		A044B996, 143		A044L228, 212 , 213 , 261		A044Z210, 245	
A043M518, 195		A044C288, 9		A044M379, 193 , 201 , 211		A044Z211, 245	
A043M520, 193 , 201		A044C631, 166 , 170		A044M435, 195		A044Z212, 245	
A043M522, 193 , 201		A044C838, 169		A044M437, 195		A044Z213, 245	
A043M830, 166		A044C927, 9		A044M619, 9		A044Z214, 245	
A043S938, 131 , 135		A044C931, 9		A044M633, 9		A044Z215, 245	
A043T875, 227 , 229		A044D162, 243 , 245 , 247		A044N178, 169		A044Z216, 245	
A043T878, 227 , 229		A044D694, 144 , 186 , 189 , 233 , 234 , 235 , 268		A044R456, 9		A044Z217, 247	
A043U485, 161		A044E935, 139 , 141 , 143		A044W723, 215		A044Z980, 9	
A043U936, 166		A044E947, 139 , 141 , 143		A044Y564, 9		A045A448, 17 , 19	
A043V133, 15 , 21 , 23		A044F082, 145 , 146 , 147		A044Z045, 247		A045A450, 15 , 21	
A043V162, 17 , 19 , 23		A044F116, 141 , 143		A044Z051, 269		A045C019, 227	
A043V417, 163		A044F118, 139		A044Z053, 268		A045D209, 176	
A043V771, 231 , 232		A044F254, 9 , 166 , 169 , 170 , 243 , 245 , 247		A044Z055, 268		A045D913, 141 , 143	
A043W505, 239		A044F269, 243 , 245 , 247		A044Z182, 247		A045D915, 141 , 143	
A043X343, 236		A044F371, 260		A044Z183, 247		A045D917, 141 , 143	
A043X494, 212 , 260 , 261		A044F378, 212 , 213		A044Z184, 247		A045D947, 141	
A043X760, 269		A044G337, 25		A044Z185, 247		A045E441, 15 , 19	
A043X785, 269		A044G461, 233 , 234 , 235		A044Z186, 247		A045E692, 139 , 141 , 143	
				A044Z187, 247		A045F854, 260 , 261	
				A044Z189, 247			

## Numerical Index (Continued)

<u>Part No.</u>	<u>Page</u>	<u>Part No.</u>	<u>Page</u>	<u>Part No.</u>	<u>Page</u>	<u>Part No.</u>	<u>Page</u>
A045G523, 150		A045L933, 151 , 152		A045T328, 176		A046F091, 131 , 135	
A045G592, 150		A045L934, 152 , 153		A045T330, 176		A046F900, 165 , 263	
A045G933, 121		A045L935, 151 , 152 , 153		A045T332, 176		A046G477, 125 , 129 , 132 , 164 , 165 , 249 , 262 , 263	
A045H450, 203 , 205		A045L937, 151 , 152		A045T334, 176		A046H951, 243 , 245 , 247	
A045H510, 121		A045L938, 151 , 152		A045T336, 176		A046H953, 243 , 245 , 247	
A045H682, 267		A045L939, 152 , 153		A045T340, 176		A046J596, 260 , 261	
A045H691, 268		A045L940, 151 , 152 , 153		A045T342, 176		A046K103, 267	
A045H692, 268		A045L941, 151 , 152		A045T344, 176		A046K278, 220 , 221 , 264	
A045H700, 269		A045L942, 151 , 152		A045T352, 219		A046K280, 264 , 265	
A045H715, 269		A045L943, 152 , 153		A045T356, 186		A046K281, 220 , 264	
A045H721, 267		A045L944, 151 , 152 , 153		A045T358, 186		A046K282, 264	
A045J199, 269		A045L960, 151		A045T360, 186		A046K980, 187	
A045J201, 269		A045L961, 151		A045T375, 185 , 190		A046K985, 187	
A045J203, 267		A045L962, 152		A045T377, 185 , 190		A046K986, 187	
A045J264, 15 , 21		A045L963, 151 , 152		A045T379, 186		A046K987, 187	
A045J285, 155		A045L964, 151 , 152		A045T397, 189		A046K988, 187	
A045J562, 150		A045L965, 151 , 152		A045T423, 190		A046L032, 166 , 170	
A045J574, 9		A045L966, 152 , 153		A045T447, 183		A046L034, 169	
A045K678, 139		A045L967, 151 , 152 , 153		A045T452, 183		A046L319, 12 , 269	
A045K681, 139		A045M347, 131 , 135		A045T454, 183		A046M783, 262 , 263	
A045K849, 149 , 150		A045M772, 207		A045T464, 188		A046P243, 183	
A045K857, 145 , 146		A045M805, 212		A045T466, 188		A046P247, 183	
A045K902, 268		A045N041, 139		A045T481, 182		A046P251, 183	
A045K953, 15 , 17 , 19 , 21		A045N453, 207		A045U373, 172 , 173 , 174 , 175		A046P254, 183	
A045L439, 139		A045N469, 203 , 205 , 207		A045Y858, 154		A046P256, 183	
A045L441, 139		A045N471, 211		A045Z125, 270		A046P545, 184	
A045L443, 145 , 149		A045N473, 208 , 211		A045Z195, 217		A046P547, 184	
A045L636, 149		A045N475, 208 , 211		A045Z790, 161 , 164 , 262		A046P552, 184	
A045L642, 149		A045N477, 211		A045Z792, 159 , 165 , 263		A046P554, 184	
A045L644, 149		A045N479, 211		A045Z943, 195 , 197 , 199 , 203 , 205 , 207		A046P556, 184	
A045L692, 146		A045P230, 203 , 205		A045Z959, 12 , 121 , 270		A046P560, 184	
A045L831, 261		A045P578, 203 , 205		A046A715, 116 , 155 , 156		A046P562, 184	
A045L886, 151		A045P597, 203 , 205		A046B151, 9		A046P564, 184	
A045L887, 151		A045P601, 208		A046B161, 125 , 127		A046R235, 121 , 122	
A045L888, 152		A045P603, 213		A046B928, 129 , 137		A046R458, 243 , 245 , 247	
A045L889, 151 , 152		A045P639, 181		A046B991, 155		A046S274, 269 , 270	
A045L890, 151 , 152		A045R226, 25		A046C016, 266		A046S585, 239	
A045L891, 151 , 152		A045R294, 63 , 65 , 107 , 109		A046D267, 239		A046S627, 125 , 129 , 132	
A045L930, 152 , 153				A046E208, 266		A046T039, 193 , 201	
A045L931, 151 , 152 , 153		A045R833, 258					
A045L932, 151 , 152		A045T315, 25					

## Numerical Index (Continued)

<u>Part No.</u>	<u>Page</u>	<u>Part No.</u>	<u>Page</u>	<u>Part No.</u>	<u>Page</u>	<u>Part No.</u>	<u>Page</u>
A046T066,	208 , 211	A047C194,	41 , 86	A047E787,	65 , 109	A048H031,	243 , 245 , 247
A046T081,	193 , 195 , 197 , 199 , 201 , 203 , 205 , 207 , 208 , 211	A047C196,	41 , 86	A047F064,	65	A048H035,	243 , 245 , 247
A046T825,	243 , 245 , 247	A047C201,	41 , 86	A047F286,	65 , 109	A048H191,	239
A046T827,	243 , 245 , 247	A047C429,	41 , 86	A047F302,	110	A048K748,	261
A046U786,	176	A047C486,	43 , 89	A047G893,	25	A048N320,	247
A046U828,	176	A047C490,	43 , 89	A047K152,	9	A048N769,	195 , 207
A046U900,	221	A047C509,	43 , 89	A047K507,	220 , 264	A048N771,	199 , 205
A046U902,	265	A047C530,	43 , 89	A047K509,	221 , 265	A048N775,	197 , 203
A046V520,	219	A047C533,	43 , 89	A047K762,	269	A048S753,	11
A046V710,	177 , 178	A047C539,	43	A047L074,	116	A048S755,	11
A046V788,	218	A047C585,	141	A047M897,	125 , 127 , 129 , 137	A048T646,	117 , 141
A046W954,	179	A047C748,	264 , 265	A047N811,	266	A048T648,	177 , 178
A046W965,	15 , 21	A047C750,	264	A047N911,	118	A048T650,	178
A046X510,	50 , 95	A047C752,	265	A047S215,	117	A048T768,	117
A046X520,	122	A047C759,	43 , 89	A047S218,	117	A048T770,	117
A046Z563,	122	A047D068,	43 , 89	A047S218,	117	A048T772,	117
A046Z638,	193 , 201 , 208 , 211	A047D085,	43	A047U849,	266	A048T774,	117
A047A967,	264 , 265	A047D093,	43 , 89	A047V134,	264 , 265	A048V431,	270
A047A977,	264	A047D095,	43 , 71 , 89 , 115	A047Z265,	251	A048V433,	270
A047B163,	207	A047D222,	45 , 90	A047Z271,	251	A048V707,	12 , 270
A047B165,	207	A047D239,	45 , 90	A048C391,	218	A048V709,	12 , 270
A047B242,	265	A047D243,	45 , 90	A048C539,	264	A048W056,	118
A047B436,	28 , 74	A047D245,	45	A048C543,	265	A048W202,	147
A047B440,	28	A047D251,	45 , 90	A048E352,	166 , 169	A048W206,	147
A047B471,	28 , 74	A047D254,	45	A048G912,	11	A048W228,	23
A047B484,	28 , 74	A047D278,	91	A048G915,	11	A048Y038,	127 , 131 , 137
A047B500,	71 , 77 , 115	A047D297,	47	A048G917,	11 , 232	A049G306,	56 , 59 , 100 , 103
A047B514,	212 , 213	A047D299,	47 , 92	A048G919,	11	A049V501,	150
A047B582,	31 , 71 , 115	A047D313,	47 , 71 , 92 , 115	A048G923,	11	A049V545,	150
A047B760,	12 , 33 , 79	A047D352,	243 , 245 , 247	A048G925,	11	A049W238,	116
A047B794,	35 , 81	A047D613,	48 , 93	A048G927,	11	A049W326,	116
A047B821,	35 , 81	A047D803,	49 , 94	A048G929,	11 , 25	A049Y191,	154
A047B841,	39 , 85	A047D822,	50 , 95	A048G931,	11	A050J565,	159
A047B843,	39 , 85	A047D826,	50	A048G933,	11	A050J578,	159
A047C086,	39 , 71 , 85 , 115	A047D863,	50 , 95	A048G935,	11	A050J709,	161
A047C092,	39 , 85	A047E064,	231 , 232	A048G937,	11	A050J723,	163
A047C135,	39 , 85	A047E095,	50	A048G949,	11	A050N857,	270
A047C165,	41 , 86	A047E428,	62 , 106	A048G956,	243 , 245 , 247	A050P483,	195 , 197 , 199 , 203 , 205 , 207
A047C191,	41	A047E738,	65 , 109	A048G965,	239	A050P694,	247
		A047E760,	65 , 109	A048G968,	243 , 245 , 247	A050P695,	247
				A048H029,	239		

## Numerical Index (Continued)

<u>Part No.</u>	<u>Page</u>	<u>Part No.</u>	<u>Page</u>	<u>Part No.</u>	<u>Page</u>	<u>Part No.</u>	<u>Page</u>
A052C437, <b>78</b> , <b>110</b>		A059W269, <b>195</b>		A060B644, <b>195</b> , <b>197</b> , <b>199</b> , <b>203</b> , <b>205</b> , <b>207</b>		A060D293, <b>175</b>	
A052C441, <b>110</b>		A059W271, <b>197</b> , <b>199</b>		A060D281, <b>172</b>		E000-14851, <b>154</b>	
A052C447, <b>78</b> , <b>110</b>		A059W273, <b>215</b> , <b>216</b>		A060D287, <b>173</b>		RSK-1101, <b>159</b> , <b>161</b>	
A055G562, <b>144</b>		A059W275, <b>207</b>		A060D291, <b>174</b>		RSK-2001, <b>163</b>	
A059W267, <b>215</b> , <b>216</b>		A059W277, <b>203</b> , <b>205</b>					





[power.cummins.com](http://power.cummins.com)

Copyright © 2020 Cummins Inc. All rights reserved.

Cummins, the "C" logo, PowerCommand, AmpSentry, and InPower are trademarks of Cummins Inc.

Other company, product, or service names may be trademarks or service marks of others.

Specifications are subject to change without notice.

